



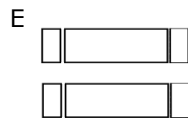
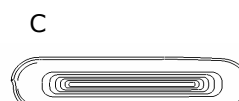
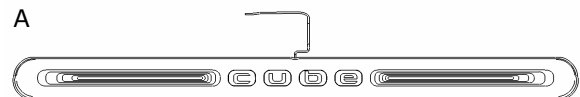
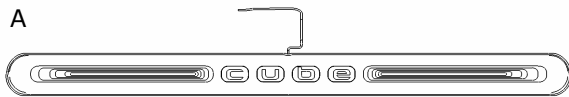
GENUINE PARTS

INSTALLATION INSTRUCTIONS

1. DESCRIPTION:	Illuminated Kick Plate
2. APPLICATION:	Cube
3. PART NUMBER:	999M1 7V010
4. KIT CONTENTS:	

Item	QTY	Description
A	2	Kick Plate, FR
B	1	Kick Plate, RR LH
C	1	Kick Plate, RR RH
D	1	Wire Harness
E	2	Posi-Tap
F	11	Tie Wrap
G	9	Urethane Foam Tape
H	1	Installation Instructions
I	1	3 Amp Fuse

*** Components E thru I in are located in Harness Bag



5. TOOLS REQUIRED:

- Nylon Removal Tool
- Flat Head Screw Driver
- Phillips Head Screw Driver
- 10mm socket and driver
- Masking Tape
- 100% alcohol
- Soap water
- Metric scale
- Flash Light
- Soft non linting towel
- Electrical tape
- Non-permanent marker

INSTALLATION INSTRUCTIONS - ILLUMINATED KICK PLATE

6. PRE-INSTALLATION CAUTIONS/NOTES:

CAUTION

- Dealer Installation Recommended. Instructions refer to steps described in Service Manual
- Please read these instructions carefully before installing this product for correct installation
- Please DO NOT use or install the part in ways other than what is described in this instruction manual.
- If problem occurs during installation, please contact Nissan dealer here you purchased the product.
- **Pay attention when removing trim parts to avoid breaking clips.**

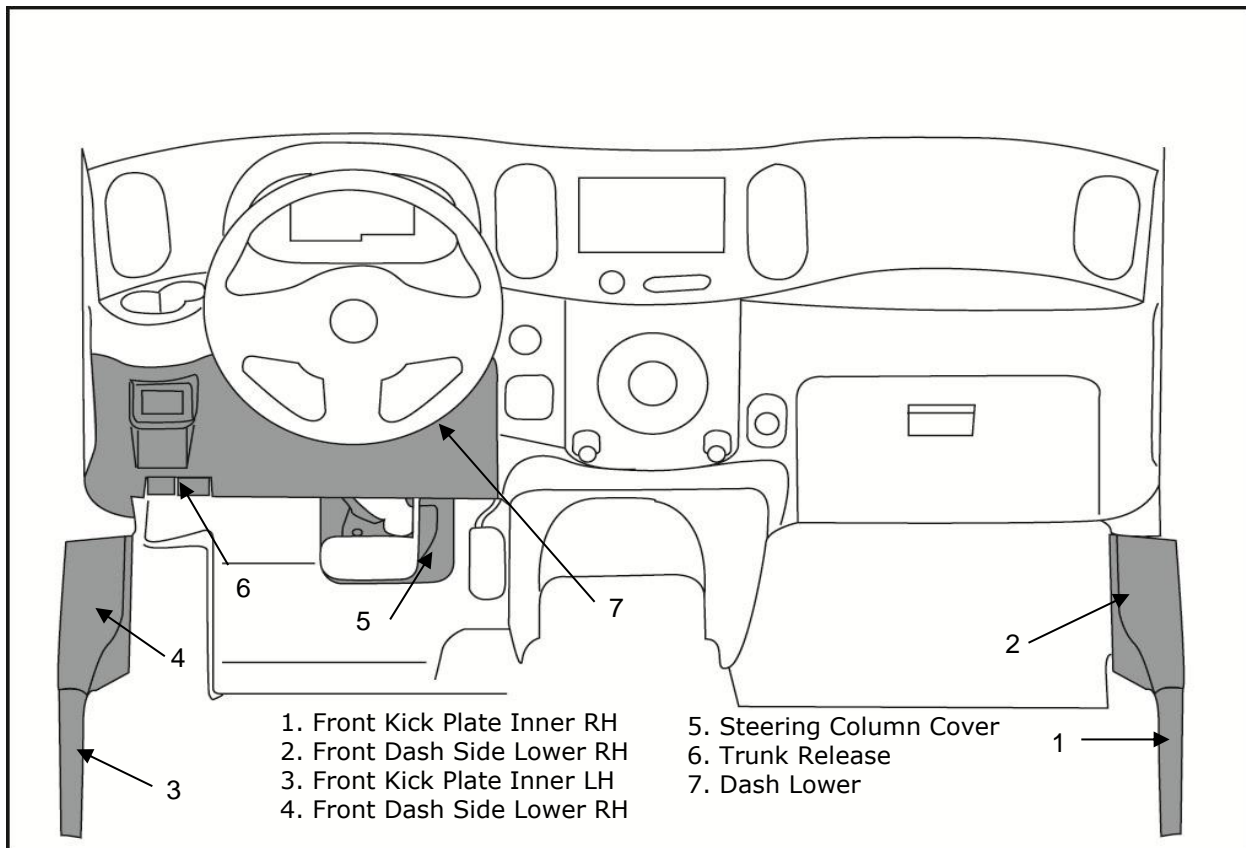
- 1) Apply Parking Break.
- 2) Make sure the shift lever is engaged in "P" or "N" position.
- 3) Record customer Radio Presets.

Preset	1	2	3	4	5	6
A						
B						
C						

- 4) Use seat and floor protection.
- 5) Open hood of the vehicle.
- 6) Disconnect the negative battery terminal to prevent short circuits during installation.
- 7) This part is to be installed at a vehicle body surface temperature of 65-100°F.
- 8) Do not wash the vehicle for 24 hours after installation to prevent the double-sided tape from peeling.

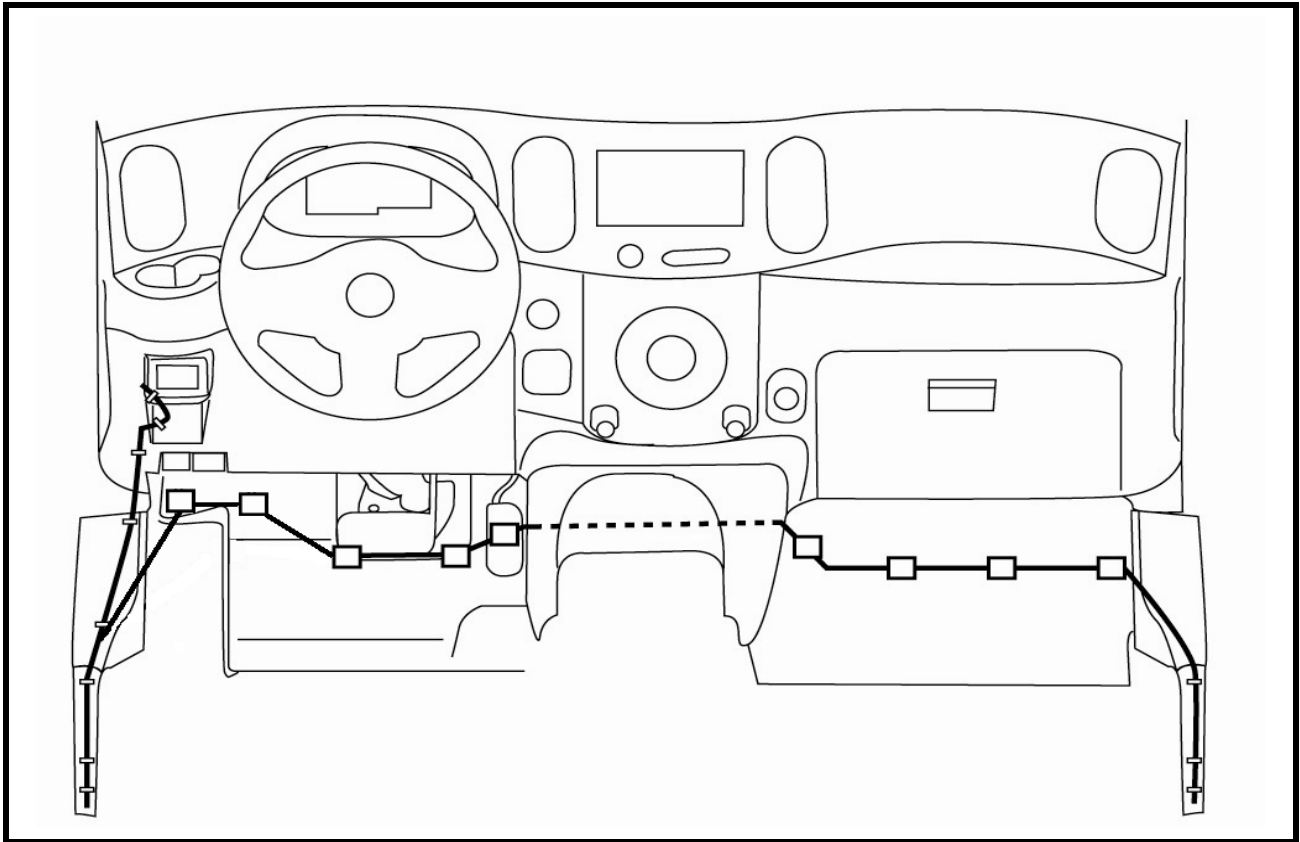
CAUTION

- **Take care not to scratch or damage components during removal or re-installation.**

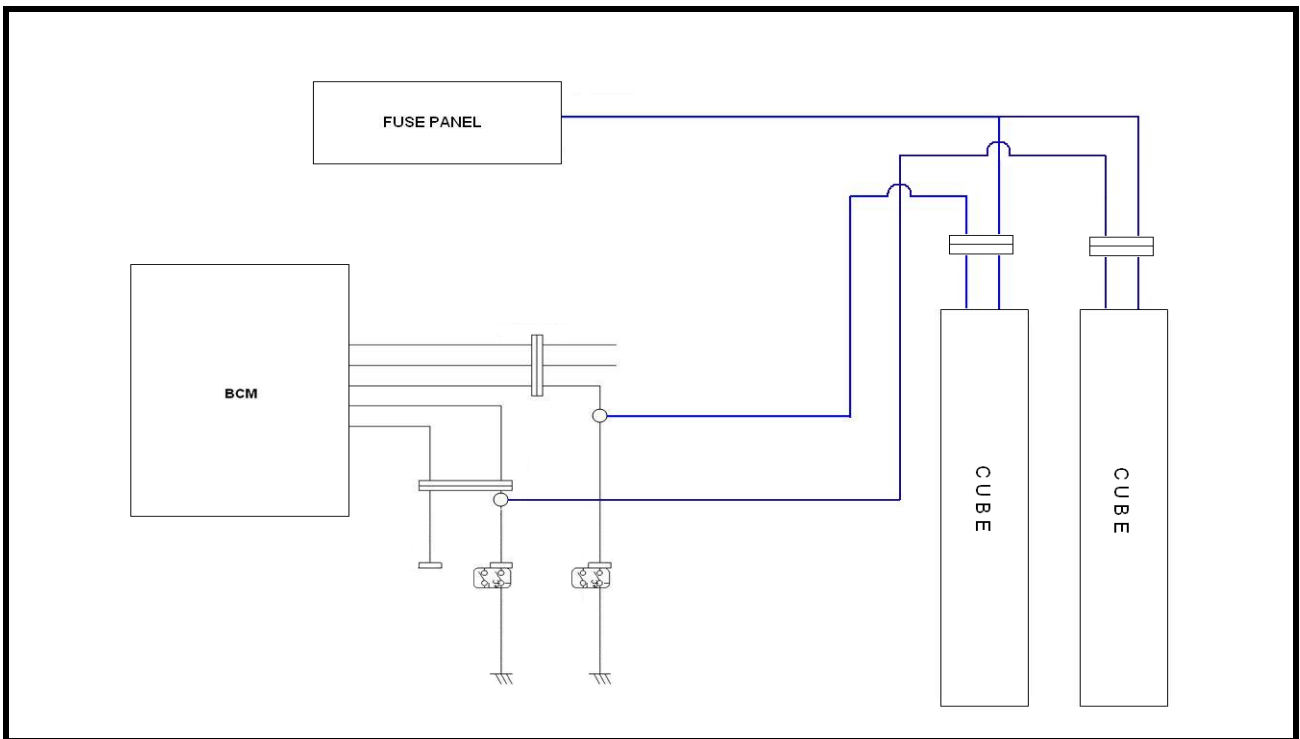


INSTALLATION INSTRUCTIONS - ILLUMINATED KICK PLATE

7. INSTALLATION OUTLINE:

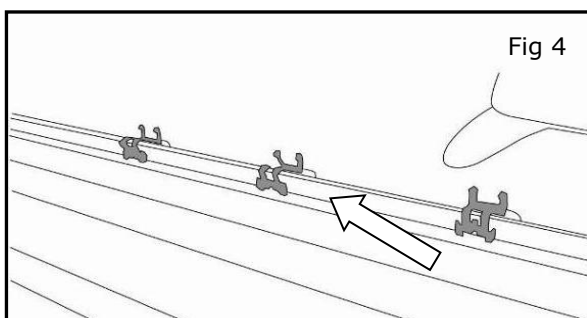
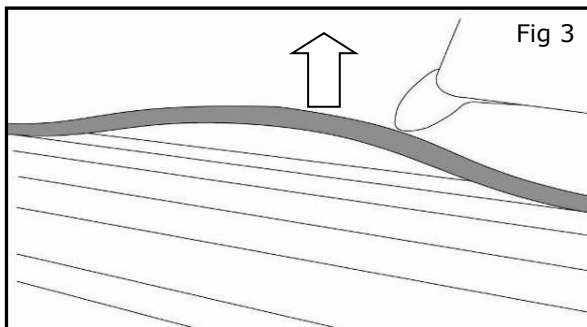
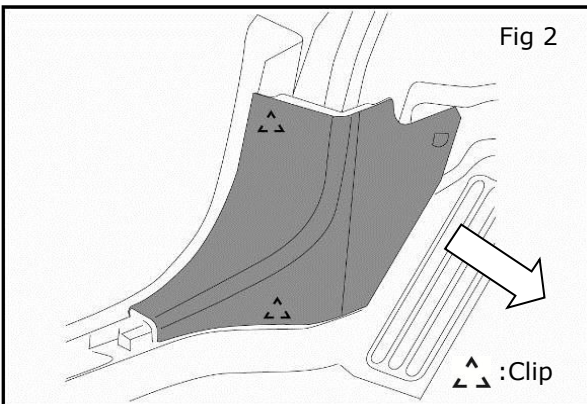
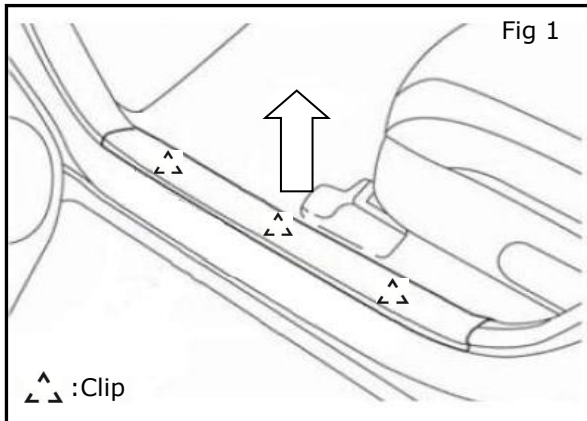


8. STANDARD CONNECTION METHOD:



INSTALLATION INSTRUCTIONS - ILLUMINATED KICK PLATE

9. VEHICLE PARTS REMOVAL:



The Procedure below shows the installation for LH Side. Repeat Procedure for RH side.

- 1) Front Kicking Plate Inner (LH) Removal
 - a) Start at Front Edge and pull up by hand
 - b) 3 Clips to remove. Shown in Figure 1
(Clips will stay attached to body)
 - c) Remove Front Kicking Plate Inner

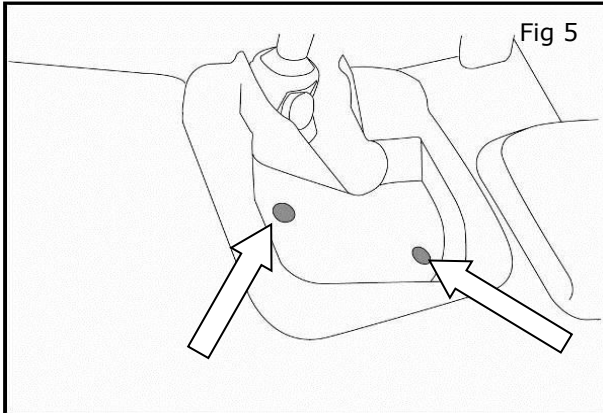
- 2) Front Dash Side Lower (LH) Removal
 - a) Pull Top edge toward seat until clip disengages. Shown in Figure 2
 - b) Pull Inward to center console to release

- 3) Weather Seal (LH) Removal
 - a) Pull Top edge toward seat until clip disengages. Shown in Figure 3
 - b) Pull Inward to center console to release

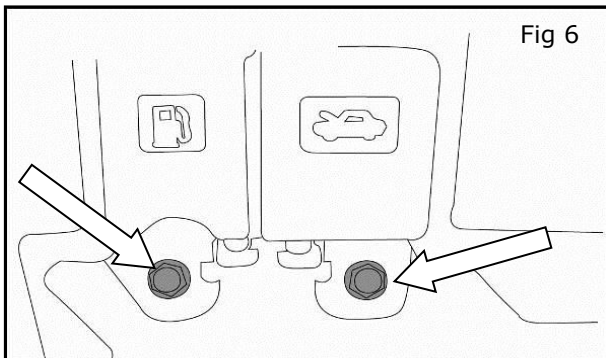
- 4) Metal Clip (LH) Removal
 - a) Remove 3 Clips by using flat head screwdriver to pry up on the clip.
Pry at V-Notch in Clip
Shown in Figure 4
(Wrap Screwdriver in cloth to protect body)

INSTALLATION INSTRUCTIONS - ILLUMINATED KICK PLATE

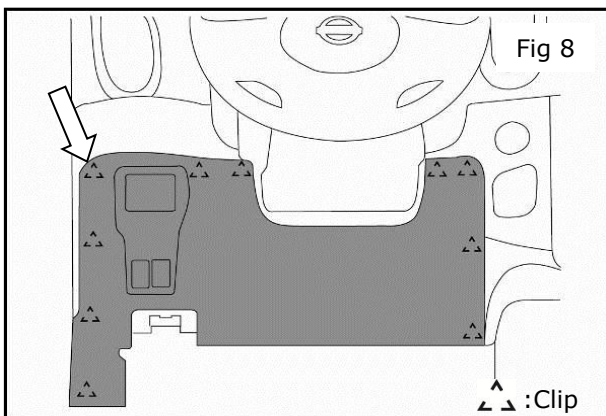
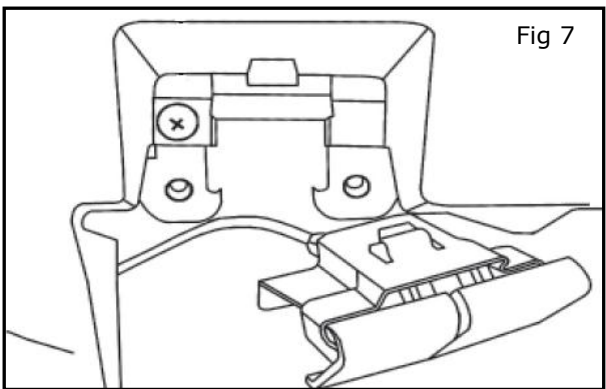
9. VEHICLE PARTS REMOVAL:



- 5) Steering Column Cover Removal (Behind Brake Pedal)
 - a) Use screw driver to remove 2 clips then pull retainer out
Shown in Figure 5



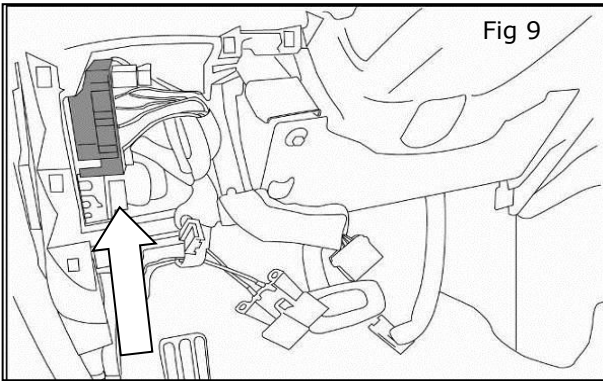
- 6) Fuel/Trunk Release (LH) Removal
 - a) Remove 2 bolts with a M10 Socket
Shown in Figure 6
 - b) Remove Philips head screw behind Fuel/Trunk Release shown in Figure 7



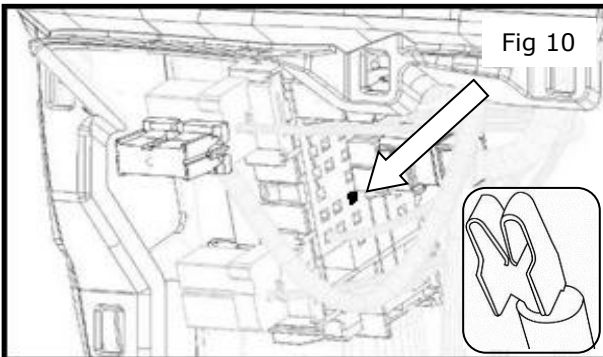
- 7) Dash Lower (LH) Removal (Below STRG Wheel)
 - a) Use Nylon Tool and work to center of vehicle to remove dash lower
Shown in Figure 8
 - b) Remove 3 electrical connections from the back of the part.

INSTALLATION INSTRUCTIONS - ILLUMINATED KICK PLATE

10. WIRING HARNESS INSTALLATION:

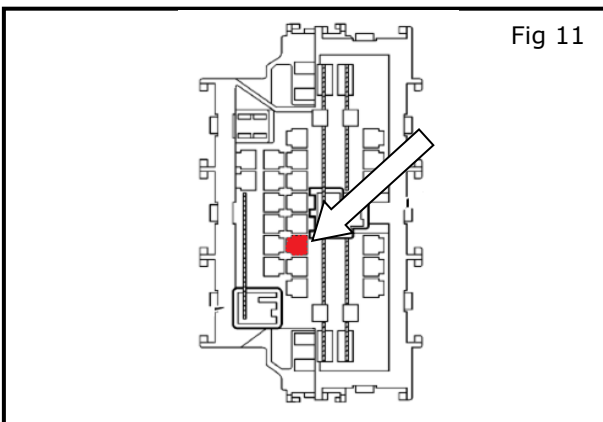


- 1) Locate Fuse Block
 - a) Shown in Figure 9

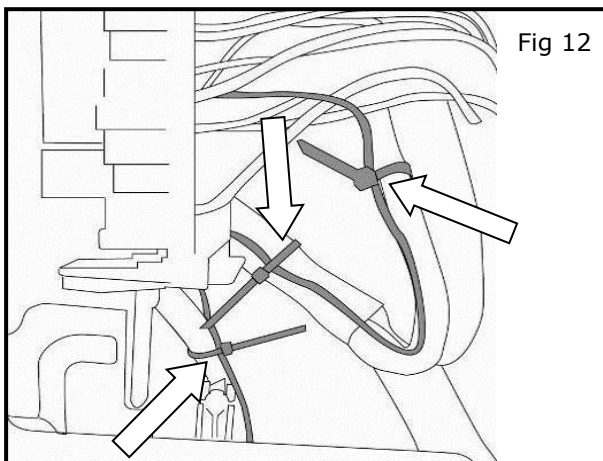


- 2) Plug the Red Wire Terminal into the Fuse Block
 - a) There will typically be empty slots in the row. Plug into 3rd from the bottom. Shown in Figure 10 & 11

NOTE: Listen for Audible Click

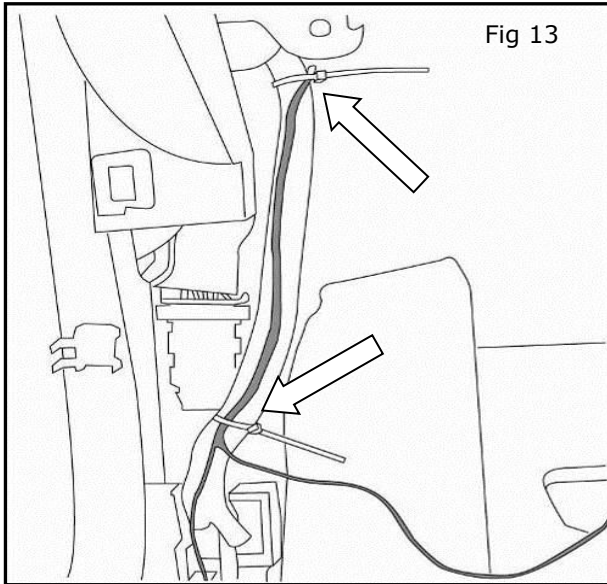


- 3) Secure Wire Harness
 - a) Using Tie Wraps, route wire harness along existing black wiring toward the floor.
 - b) There should be 3 Tie wraps used near the fuse block. Shown in Figure 12
 - c) Continue routing toward the junction box at the floor.

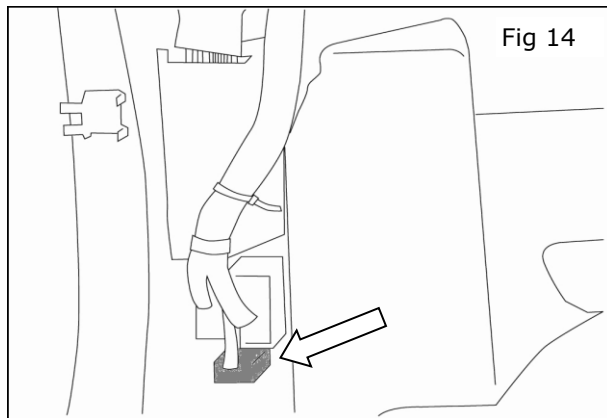


INSTALLATION INSTRUCTIONS - ILLUMINATED KICK PLATE

10. WIRING HARNESS INSTALLATION:



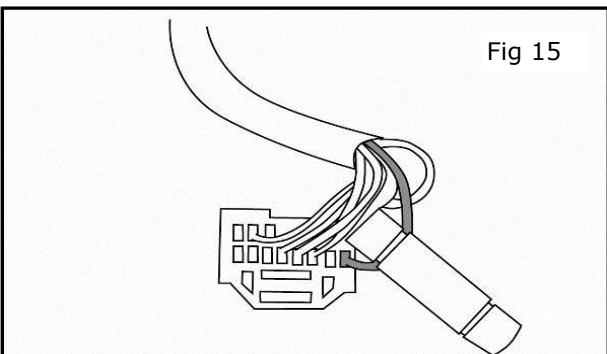
- 5) Secure Wire Harness
 - a) Secure wire with 2 more tie wraps
Shown in Figure13



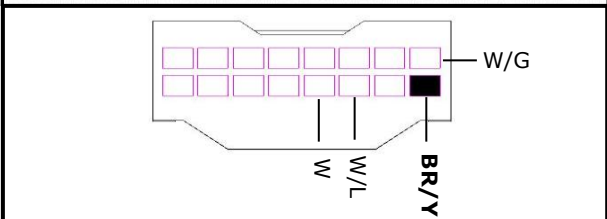
- 6) Connect Posi-Tap (LH)
 - a) See steps 7-11 for Posi-Tap® installation
 - b) Wire Harness connection area
Shown in Figure 14
 - c) Connect Posi-Tap to Brown wire with
Yellow stripe show in Figure 15

NOTE: When the wire color is striped, the base color is given first, followed by the stripe color as shown below:

BR/Y = Brown with Yellow stripe

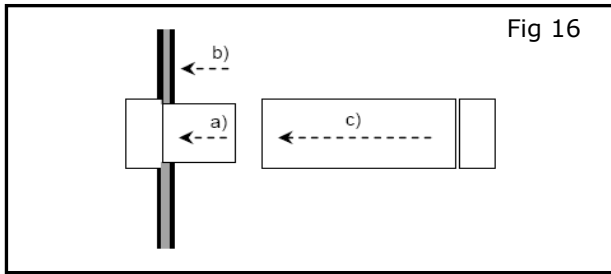


B = Black	BR = Brown
W = White	OR = Orange
R = Red	P = Pink
G = Green	PU = Purple
L = Blue	GY = Gray
Y = Yellow	SB = Sky Blue
LG = Light Green	CH = Dark Brown
	DG = Dark Green



INSTALLATION INSTRUCTIONS - ILLUMINATED KICK PLATE

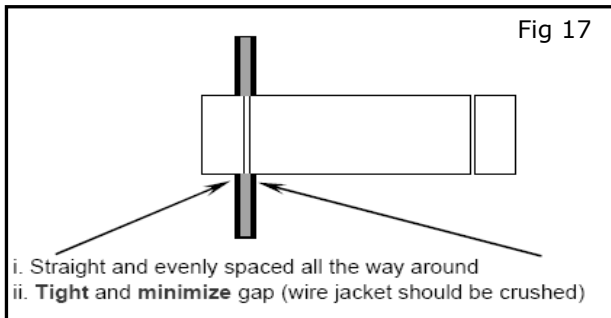
10. WIRING HARNESS INSTALLATION:



- 7) Tap Vehicle Wire, Shown in Fig 16
 - a) Remove cap (slot side) from tap body.
 - b) Slide cap around vehicle wire.
 - c) Tighten the tap TIGHT with finger pressure

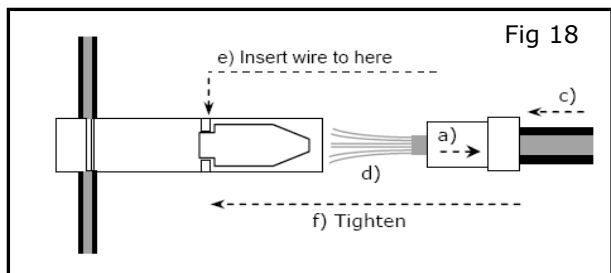
NOTE: Do not re-use the tap for subsequent re-installation

3

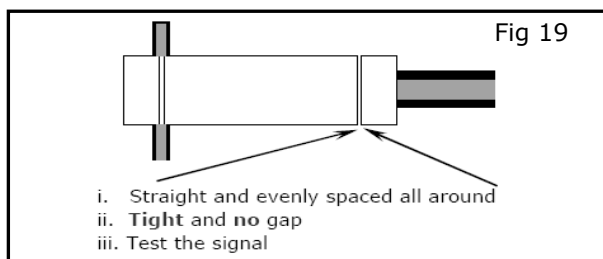


- 8) Inspect the tap to ensure correct installation
Shown in fig 17

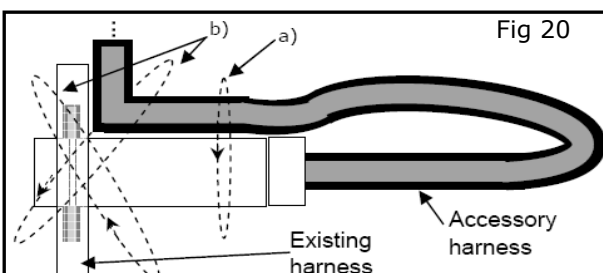
NOTE: Avoid putting pressure on the vehicle wire and tap for the rest of the installation



- 9) Tap the Black wire from the Kickplate Harness
Shown in figure 18
 - a) Remove tap (non-pierce) side from tap
 - b) Remove protective stub from black wire
 - c) Insert the black wire through the non-pierce side opening
 - d) Spread individual strands into a fan shape
 - e) Insert wire into the tap body and ensure that it is all the way in
 - f) Tighten the tap TIGHT with finger pressure



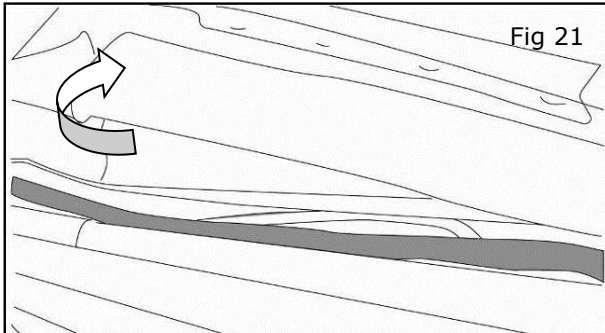
- 10) Confirm installation of the tapped wire
Shown in Figure 19
 - a) Inspect the tap to ensure correct installation



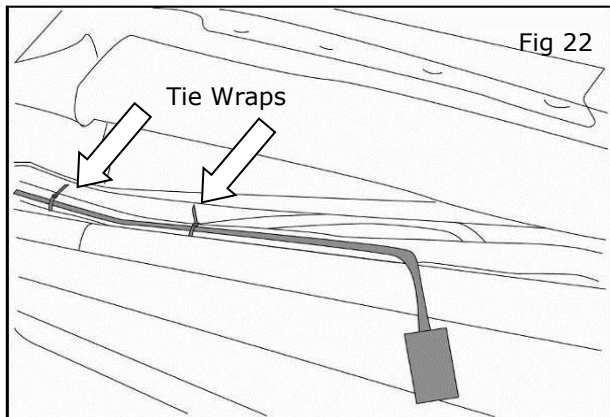
- 11) Secure the tap as shown in Figure 20
 - a) Secure the tapped wire on the non pierced side to the body of the posi-tap with electrical tape (≥ 2 revolutions)
 - b) Secure the body to harness where the vehicle wire is being tapped with electrical tape (≥ 2 revolutions)

INSTALLATION INSTRUCTIONS - ILLUMINATED KICK PLATE

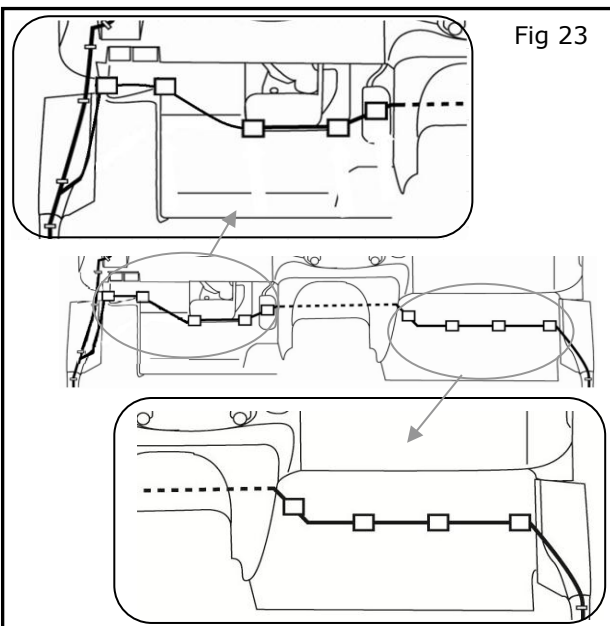
10. WIRING HARNESS INSTALLATION:



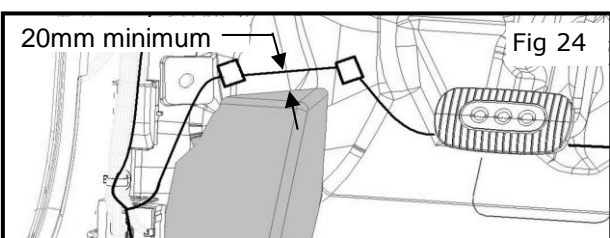
- 12) Pull Carpet Back to Rout Wire to Kick Plate (LH)
 - a) Loosely lay wire along existing wire harness Shown in Figure 21



- 13) Secure Harness (LH)
 - a) Secure harness with 1 Tie Wrap
 - b) Loosely secure harness with 2nd Tie Wrap Shown in Figure 22
 - c) Cut Excess Tie Wraps



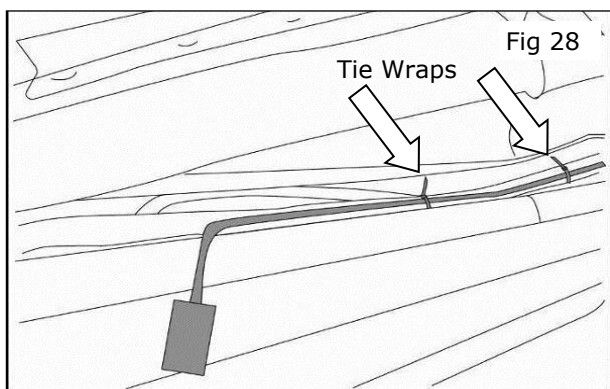
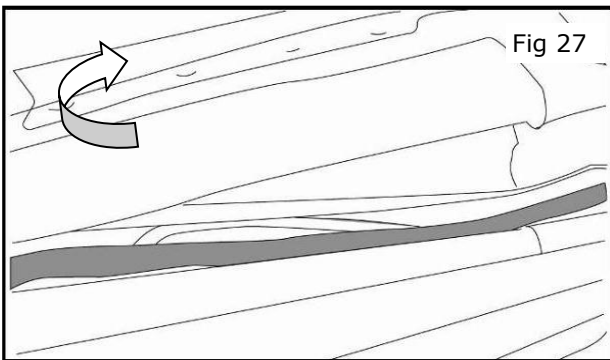
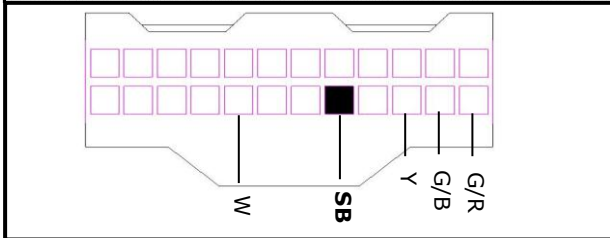
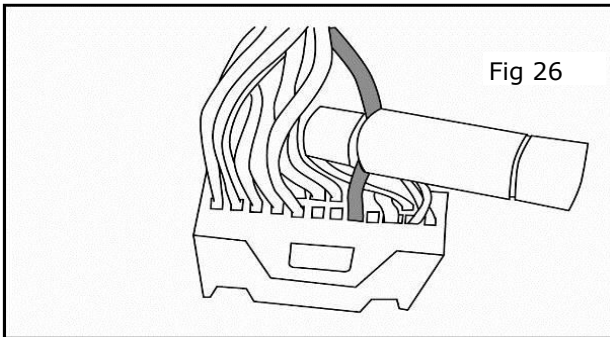
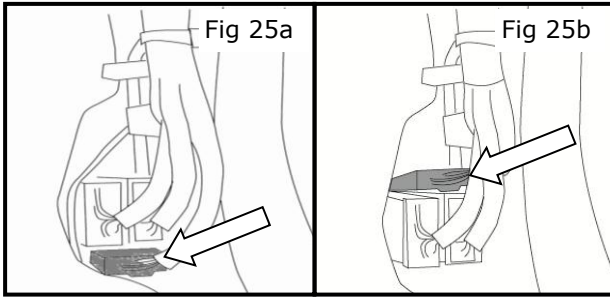
- 14) Route Wire Harness to RH Side
 - a) Peel Back Carpet on both LH and RH side of vehicle.
 - b) Route RH side wire harness behind center console under IP to RH side of vehicle.
 - c) On LH Side, tape wire harness down at five positions shown in Figure 23
 - d) On RH Side, tape wire harness down at four positions similar to LH side.



NOTE: Keep minimum 20mm clearance between Harness and foam block (LH) to avoid Squeak noise when driving as shown in Figure 24

INSTALLATION INSTRUCTIONS - ILLUMINATED KICK PLATE

10. WIRING HARNESS INSTALLATION:



- 15) Connect Posi-Tap (RH)
 - a) Wire Harness connection area
Shown in Figure 25a or 25b
 - b) Connect Posi-Tap to Sky Blue wire
shown in Figure 26
 - c) See steps 7-11 for Posi-Tap® installation

**NOTE: Figure 25a for MY2011 and previous.
Figure 25b for MY2012 and later.**

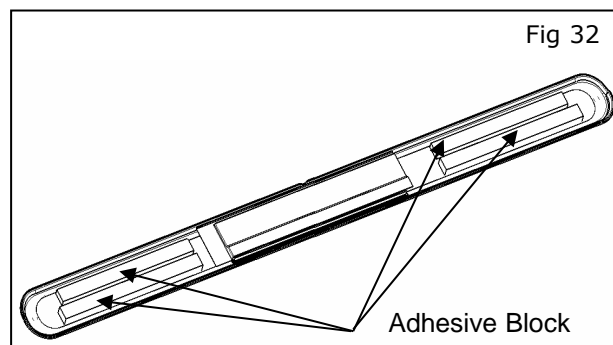
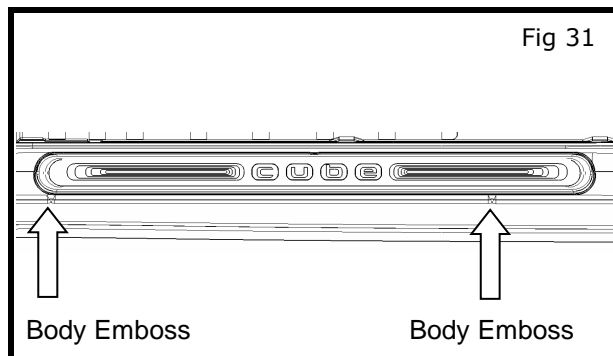
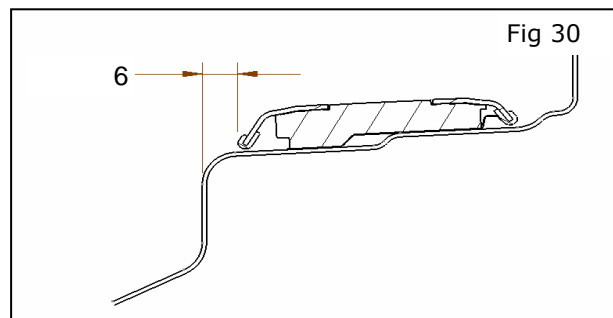
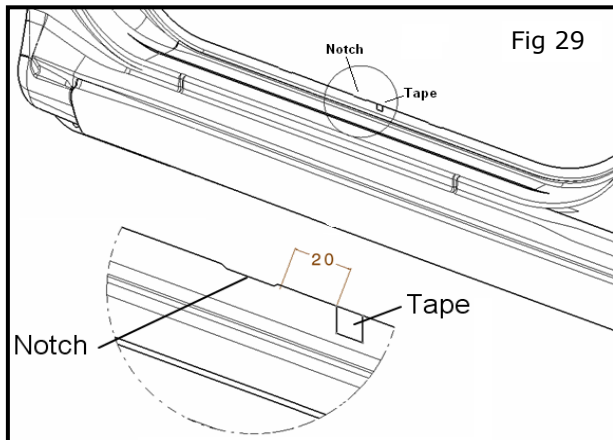
B = Black	BR = Brown
W = White	OR = Orange
R = Red	P = Pink
G = Green	PU = Purple
L = Blue	GY = Gray
Y = Yellow	SB = Sky Blue
LG = Light Green	CH = Dark Brown
	DG = Dark Green

- 16) Pull Carpet Back to Rout Wire to Kick Plate (RH)
 - a) Loosely lay wire along existing wire harness
Shown in Figure 27

- 17) Secure Harness (RH)
 - a) Secure harness with 1 Tie Wrap
 - b) Loosely secure harness with 2nd Tie Wrap
Shown in Figure 28
 - c) Cut Excess Tie Wraps

INSTALLATION INSTRUCTIONS - ILLUMINATED KICK PLATE

11. FRONT KICK PLATE INSTALLATION



The Procedure below shows the installation for LH Side. Repeat Procedure for RH side.

Front RH & LH parts are interchangeable.

- 1) Prepare Area (LH)
 - a) Clean with 100% alcohol and allow to dry.
- 2) Install Kick Plate (LH)
 - a) Locate Notch at 2nd Clip Location on Body Refer to fig 4, page 4 for detail.
 - b) Measure from Edge of Clip Notch rearward in the vehicle 20 mm and mark with Tape. Shown in Figure 29
 - c) Dry fit part by aligning the Kick Plate wire with the front edge of tape and also align the body embosses to the front edge of the part. The Kick Plate should be parallel to the radius at the outside edge of the body. Shown in Figure 30 and Figure 31

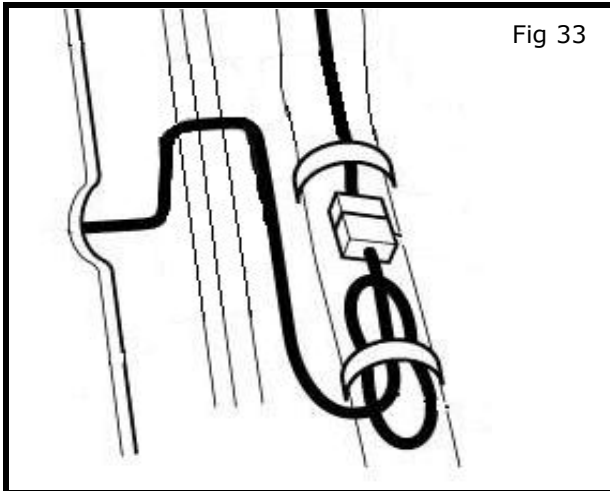
NOTE: Compare RH & LH DRY fit alignment and position for consistency

- d) Remove part and pull liner from 4 adhesive blocks. Shown in Figure 32
- e) Set part on vehicle, being careful to keep the outside edge of the part parallel to the rocker panel.
- f) Starting at the forward end, apply minimum 110lbs (49kg) of pressure along the part to attach tape to body.

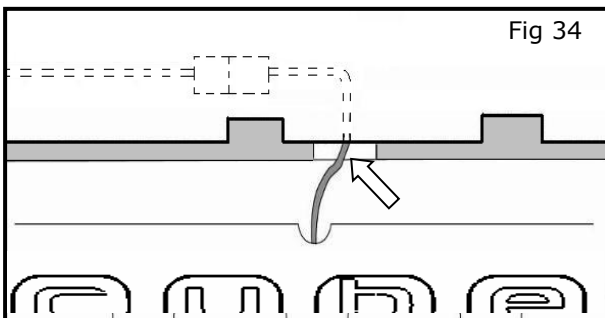
INSTALLATION INSTRUCTIONS - ILLUMINATED KICK PLATE

12. WIRE HARNESS CONNECTION INSTALLATION

The Procedure below shows the installation for LH Side. Repeat Procedure for RH side.

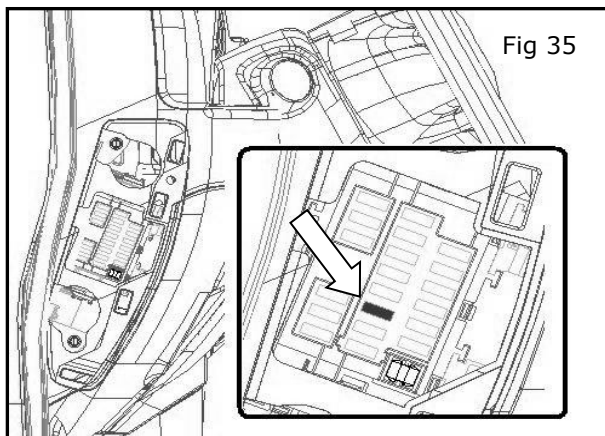


- 1) Connect the Connectors.
Shown in Figure 33
- 2) Make sure that wiring passes over door flange and rearward of the plastic carpet retainer.
Shown in Figure 34
- 3) If you have excess lamp harness, loop the extra length to the vehicle harness with a tie wrap as shown in Figure 33
- 4) Tighten all tie wraps
- 5) Cut excess tie wrap.



CAUTION

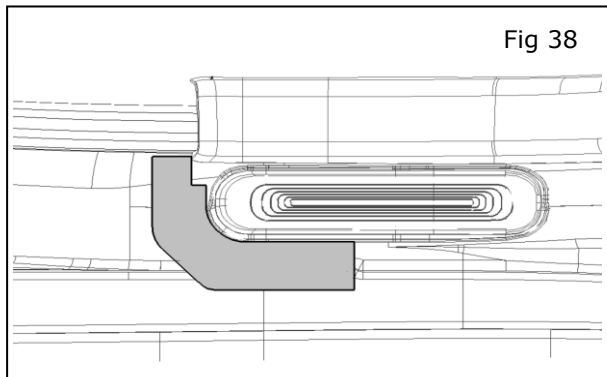
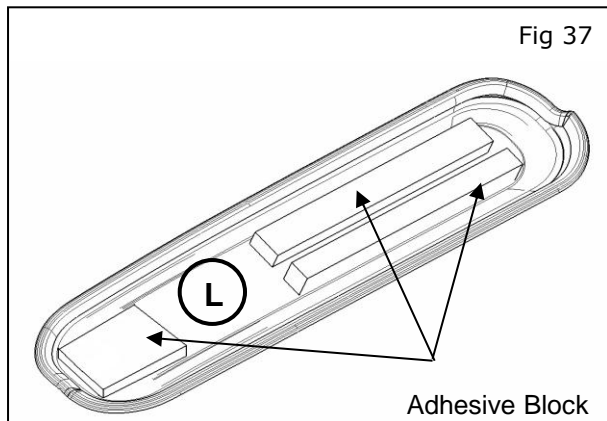
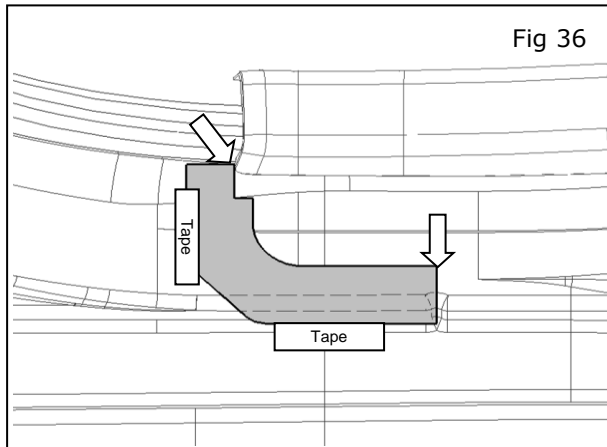
- Do not attach the harness to sharp metal edges.



- 6) Remove fuse cover and install supplied 3 Amp fuse to open slot in center row, third location from the bottom shown in Figure 35

INSTALLATION INSTRUCTIONS - ILLUMINATED KICK PLATE

13. REAR KICK PLATE INSTALLATION



The Procedure below shows the installation for LH Side. Repeat Procedure for RH side.
Rear RH & LH parts are Unique.

- 1) Prepare Area (LH)
 - a) Clean with 100% alcohol and allow to dry.
- 2) Install Template (LH)
 - a) Cut out Templates from last page of Installation Instructions
 - b) Align template to vehicle using front edge of kickplate inner and emboss in the body. Template rear edge should align to the center of body emboss as shown in Figure 36.
 - c) Fold template along radius bend lines and tape into position.
 - d) Locate LH Rear Kick Plate. LH Rear Kick Plate has "L" stamp shown in Figure 37.
 - e) Dry fit part by aligning the Kick Plate with the edge of the template shown in Figure 38 to check for correct position. If part fit is poor, adjust template.
- 3) Install Kick Plate (LH)
 - a) Remove pull liner from 3 adhesive blocks. Shown in Figure 37
 - b) Set part on vehicle, being careful to keep the outside edge of the part aligned to the template.
 - c) Starting at the forward end, apply minimum 60lbs (27kg) of pressure along the part to attach tape to body.

INSTALLATION INSTRUCTIONS - ILLUMINATED KICK PLATE

14. CHECK AFTER INSTALLATION

- 1) Please check that the installation has no problem.
- a) confirm connection of connector.
 - b) confirm wheeather wire harness is fixed.
 - c) confirm no part moving which will cause rattling noise.
 - d) confirm that wireharness is protected from dammage by sharp bracket edges.

15. FUNCTION CHECK

- 1) Re-connect battery negative terminal.
- 2) Confirm "CUBE" text is illuminated with either Front door in the opened position.

16. REINSTALLATION OF REMOVED PARTS

- 1) All removed vehicle parts have been reinstalled.

CAUTION

- Use caution when re-installing interior components to avoid damage, scratch, or breaking of mounting clips.

- 2) Clean interior of vehicle.

17. VEHICLE CHECK

- 1) Remove all tools from the vehicle.
- 2) Inspect re-installed interior trim parts for proper panel fit.
- 3) Turn ignition to ON position.
- 4) Reset radio presets to the recorded setting.
- 5) Confirm proper radio operation
- 6) Initialize sun roof, and power window operation.
- 7) Confirm proper operation of te rear window washer fluid.
- 8) Turn ignition to OFF position.

CAUTION

- During restoring, please use caution as not to cause the stacking of the vehicle harness, or damage any parts.

INSTALLATION INSTRUCTIONS - ILLUMINATED KICK PLATE

