

# INSTALLATION INSTRUCTIONS – BED AND TAILGATE RAIL CAP



## Genuine Parts

### INSTALLATION INSTRUCTIONS

- 1. DESCRIPTION:** Bed Rail Cap Kit
- 2. APPLICATION:** 2005 and after Frontier Pick-up
- 3. PART NUMBER:** 999T1-BR200KC (05 Frontier KC, CC Long Bed, RH/LH)  
999T1-BR200CC (05 Frontier CC Short Bed, RH/LH)

**4. KIT CONTENTS:**

<u>Item No.</u>	<u>Qty</u>	<u>Description</u>
1)	1	RH Cap
2)	1	LH Cap
3)	1	Tailgate Cap
4)	1	Adhesion Promoter packet
5)	1	Installation Instructions Replacement Template

**5. TOOLS REQUIRED:**

- Clean Cloth
- 100% Alcohol Solution
- J-Roller
- Adhesion Promoter

**6. INSTALLATION PRECAUTIONS / NOTES:**

1. Do not remove tape backer until instructed to do so.
2. There are no apparent features on these parts to be used as easy reference to the truck bed area where they are located, therefore use caution when applying.
3. Clean the sheet metal and tailgate molding of any dirt and apply a 100% alcohol solution.  
**CAUTION: Some plastic surfaces may become damaged if contacted by alcohol. Cover and protect the taillight lenses. If alcohol does come into contact with the lenses, immediately wash the surface with water.**
4. **Critical:** Using a clean dry cloth to wipe the surface dry of any solution or dirt. Vehicle surface must be completely dry before installation.
5. **Critical:** Vehicle and molding must be between 60 and 110 degrees F before installation.
6. Do not wash or expose vehicle to wet environment for 24hrs after installation.

# INSTALLATION INSTRUCTIONS – BED AND TAILGATE RAIL CAP

## 7. INSTALLATION PROCEDURE:

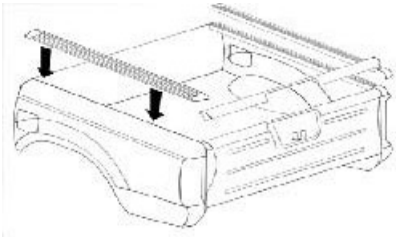


Illustration 1

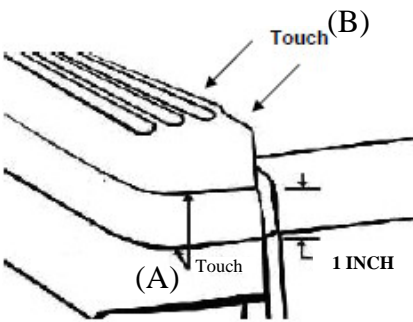


Illustration 2

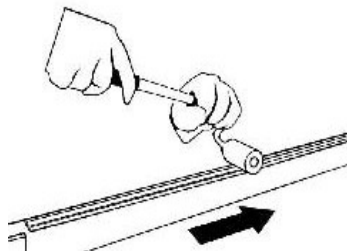
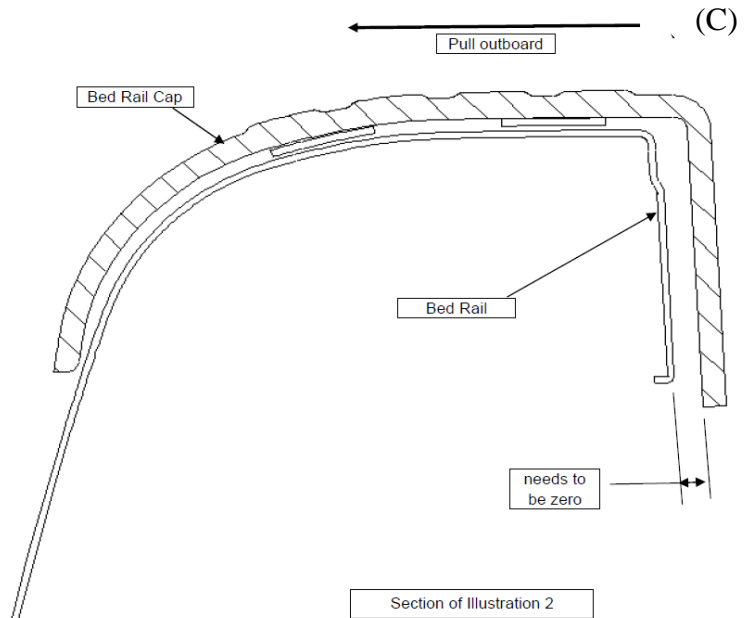


Illustration 3

## Boxtop Instructions

- 1 Place the LH and the RH Bed Rail Caps and the Tailgate Bed Rail Cap onto the Side Rails and the Tailgate Accordingly. See *Illustration 1*.
- 2 The LH and RH Bed Rail Caps will locate on the rearward and inboard surfaces to the Bed Rails where they are suppose to be net to the sheet metal as shown in *Illustration 2*. The Tailgate Bed Rail Cap will locate cross car for a consistent gap between the opening of the Tailgate Bed Rail Cap and the Tailgate Latch Molding. See *Illustration 4*.
- 3 Peel tape liner from LH Cap and position the part so it is slightly above the Bed rail. Lower the back end of the part down onto the Bed Rail so the back end of the Cap will locate to the rear of the Bed Rail (A). Push forward and lower the front of the Cap while using the inboard side of the Bed Rail to locate (B). Once in place, pull outboard to insure flush fit to inside Bed Rail (C). (See section below).



- 4 Starting at the rear end of the vehicle, position the roller over the Bed Rail Cap and apply downward pressure. Gradually move the roller forward the length of the Bed Rail Cap and then back to the rear. See *Illustration 3*.
- 5 Repeat steps 3 and 4 for the RH Bed Rail Cap.

# INSTALLATION INSTRUCTIONS – BED AND TAILGATE RAIL CAP

## Tailgate Cap Instructions

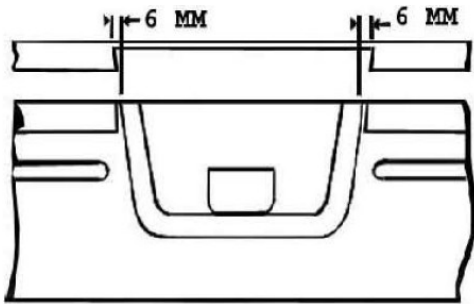


Illustration 4

1. Remove Tailgate Bed liner.
2. Place a tape line 6.0 mm from the left and right edges of the tailgate latch molding. See *illustration 4*.
3. Open adhesion promoter packet and apply adhesion promoter to liftgate handle appliqué in areas where the tailgate cap tape will adhere as shown in illustration 5. A template outlining this area may aid in accuracy of application.
4. Peel the tape liner from the Tailgate Bed Rail Cap and then reposition the Tailgate Cap so that it is above but not touching the Tailgate. Locate the Tailgate Bed Rail Cap cross car so it is aligned with the tape edges. (Make a consistent gap of 6mm between the opening of the Tailgate Bed Rail Cap and the Tailgate Latch Molding). Then lower the Tailgate Bed Rail Cap down onto the Tailgate top. Be sure to pull outboard while pressing into place by hand. See Illustration 4.
5. Starting at one end of the Tailgate position the roller over the Tailgate Bed Rail Cap and apply downward pressure. Gradually move the roller the length of the Tailgate Bed Rail Cap. See Illustration 3.

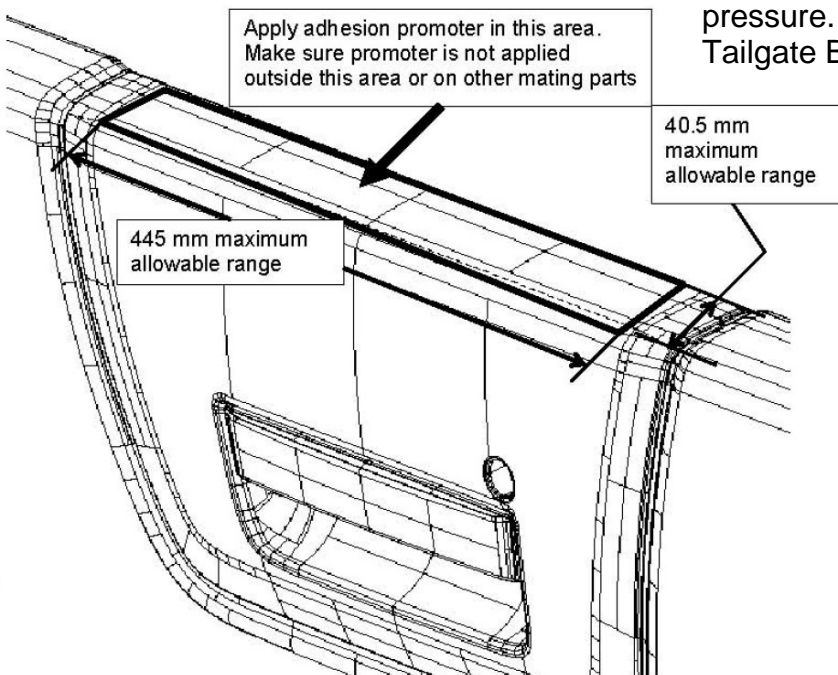


Illustration 5