



GENUINE PARTS

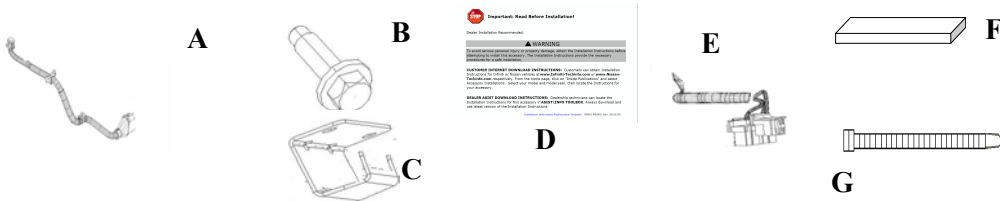
INSTALLATION INSTRUCTIONS

1. **DESCRIPTION:** 4 Pin Trailer Harness Kit
2. **APPLICATION:** 2005 FRONTIER-Trailer lighting only

3. **PART NUMBER:** 999T8 BR004

4. **KIT CONTENTS:**

Item	Qty	Description	Part Number	Service Part Number
A	1	Harness Jumper	999T8 BR002	N/R
B	2	M6 bolt	81-68616	N/R
C	1	Mounting bracket	999T8 BR003	N/R
D	1	Installation Instructions Replacement Template	999V2 AW000	N/R
E	1	Relay Jumper	999T8 RB300	N/R
F	1	Urethane tape	999T8 RB100	N/R
G	1	Tie-strap	999T8 RB200	N/R



5. **TOOLS REQUIRED:**

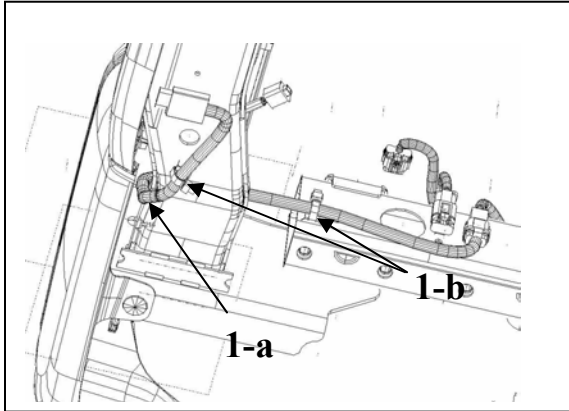
- 10mm socket wrench
- Screw-driver

6. **INSTALLATION PRECAUTIONS / NOTES:**

- 1) Park the vehicle on flat level ground.
- 2) Set ignition to off position.
- 3) After the connectors are securely latched together, confirm they remained securely attached to the frame. Re-attach the connectors to the frame tabs, or tie wrap if necessary to assure the connectors will not rattle.
- 4) Check that all vehicle lighting systems are functional and use a test light or test plug to confirm trailer lighting function.

INSTALLATION INSTRUCTIONS

7. INSTALLATION PROCEDURE



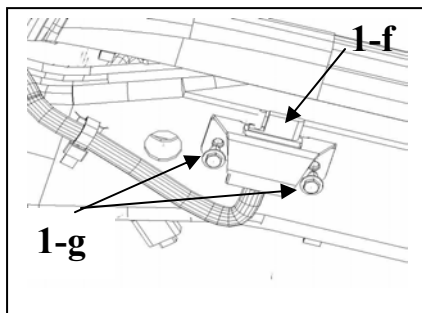
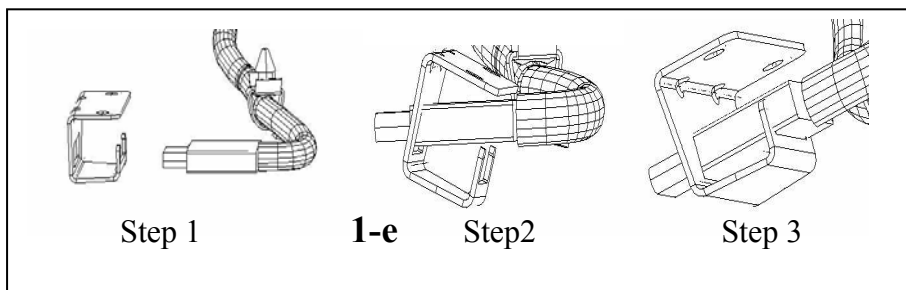
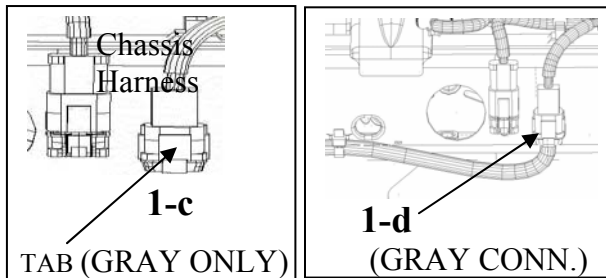
1) INSTALL THE 4 PIN TRAILER HARNESS KIT

- Route the jumper between the frame and the bumper.
- Attach the clips to the frame as shown.
- Remove the dummy plug from the GRAY inline ONLY on the chassis side (already in the truck). Using a screw-driver, push the tab in and slide the plug out.
- Connect the inline connectors (make sure the connectors are fully inserted and secured).
- Slide connector onto the bracket as follow:
Step1: Hold bracket & connector as shown

Step2: slide the connector with an angle until the connector rail line up with the bracket.

Step3: Push the connector down to slide into the bracket

- Align the bracket holes with the bumper's holes.
- Using the (2) M6 bolts, secure the bracket to the bumper as shown. (torque of 5-7Nm)



5-7 Nm



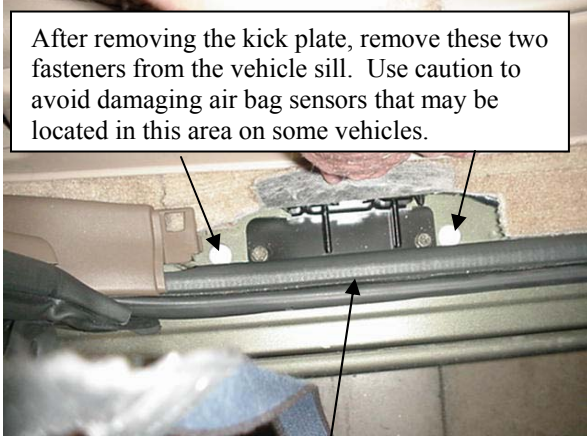
INSTALLATION INSTRUCTIONS



Caution:

- Ensure that ignition is off.
- Avoid the airbag side sensor located under the kickplate

After removing the kick plate, remove these two fasteners from the vehicle sill. Use caution to avoid damaging air bag sensors that may be located in this area on some vehicles.



2) INSTALL RELAY JUMPER

- a) Remove the kick plate and side trim located in the front passenger side by pulling following the arrows direction. Remove and **save** the two white clips from the vehicle sill for reinstallation in step 2-h.

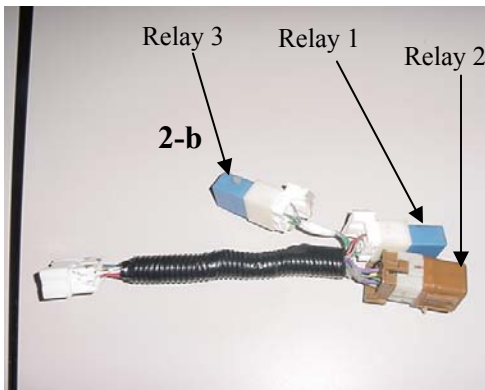
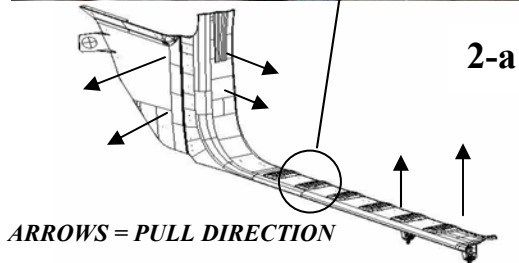
- b) Insert the relays in the relay sub harness as shown and as follows:

For Manual Transmission: Install relays 1, 2, and 3 (one brown & two blue)

Note: branch for relay 3 is marked with white tape

For Auto Transmission: Install only relays 1 and 2 (one brown & one blue)

- c) Wrap the branches together with foam tape as shown. Wrap all, even if relay 3 is not there (for auto trans.)
- d) Connect the relay jumper connector to the inline behind the bracket. (inline connector is taped back, break the tape)



2-c

INSTALLATION INSTRUCTIONS



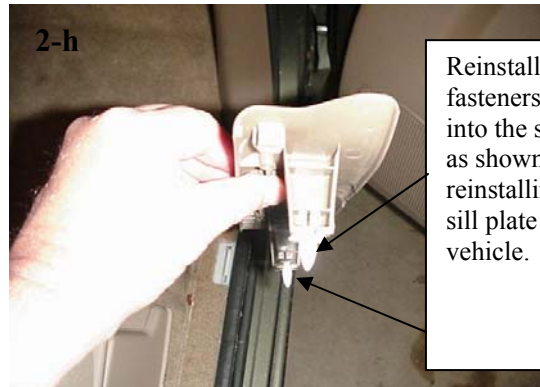
With AMP:
Secure to
harness above
lower connector.

2-f



Without AMP:
Secure to lower
bracket opening.

- e) Secure the relay bundle as shown in photos.
 - f) Use tie strap provided. Attach the relay bundle to the bracket based on the following options (with or without AMP) see pictures.
 - g) Push excess sub harness away from kick plate.
 - h) Reinstall the kick plate and side trim. Make sure they are secured by the clips. (clips maybe stuck in the holes, therefore remove them prior to reinstalling the kick plate.
- Caution:** Do not damage side airbag sensor while removing the clips.



2-h

Reinstall the fasteners back into the sill plate as shown before reinstalling the sill plate on the vehicle.

3) Function check

- a) Visual check vehicle lighting functions for brake lights, turn, tail and backup. Test light, check power to trailer connector for brake light, turn signal lights and tail lights.