



## GENUINE PARTS

# INSTALLATION INSTRUCTIONS

1. DESCRIPTION: Cargo Organizer

2. APPLICATION: Nissan Xterra (2005)

3. PART NUMBER: 999C2 KR002

#### 4. KIT CONTENTS:

<u>Item No.</u>	<u>Qty.</u>	<u>Description</u>
1)	1	Cargo Organizer
2)	2	Fastener
3)	2	Track Insert
4)	2	Washer
5)	1	Installation Instructions <a href="#">Replacement Template</a>

5. TOOLS REQUIRED: There are no tools required.

#### 6. CAUTIONS / NOTES:

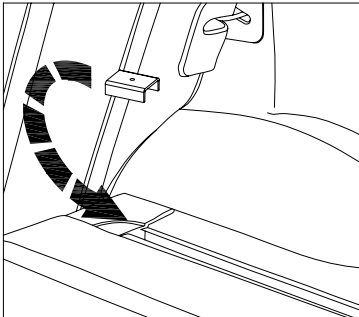
#### CAUTION

- Always tighten sliding mechanism before driving vehicle.
- Failure to properly tighten could result in vehicle damage or personal injury.
- Always secure items in cargo area. See owner's manual.

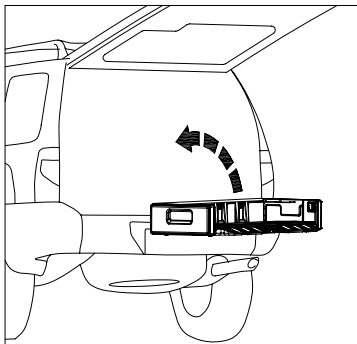
To maintain the luster of your Cargo Organizer, clean with a cloth as required using standard automotive vinyl, leather and upholstery cleaners or soap and water.

## INSTALLATION INSTRUCTIONS - Cargo Organizer

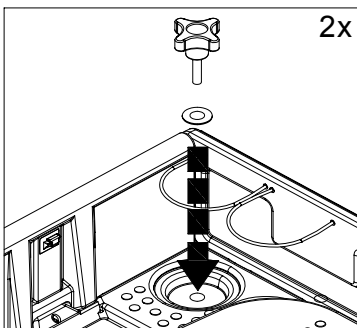
### 7. INSTALLATION PROCEDURE:



- 1) Remove plastic track cover (see owner's manual).
- 2) Install track inserts in both tracks in the cargo area of the vehicle (threaded hole up).

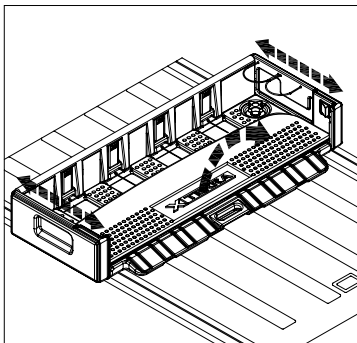


- 3) Place Cargo Organizer in vehicle.



- 4) Line up slots in front of Cargo Organizer over threaded holes in track inserts.
- 5) Insert hardware at both sides of the Cargo Organizer. Order should be fastener, washer, organizer, track insert.

### 8. HOW TO USE YOUR CARGO ORGANIZER:



- 1) Lift the divider to expose cargo compartments. To fold divider back down, press tabs on either side of divider.
- 2) Loosen fasteners to slide organizer back and forth. Always tighten fasteners before driving.
- 3) The two straps on the passenger side can be used to secure two-liter bottles.