



GENUINE PARTS

INSTALLATION INSTRUCTIONS

1. DESCRIPTION: Hood Protector

2. APPLICATION: 2004 Nissan Armada
2004 Nissan Titan

3. PART NUMBER: 999D5 2X000

4. KIT CONTENTS:

| <u>Item No.</u> | <u>Qty</u> | <u>Description</u> |
|-----------------|------------|---|
| 1) | 1 | Hood Protector |
| 2) | 1 | Center Metal Clip (Small clip stamped with a "C") |
| 3) | 2 | Inner Metal Clips (Large clips) |
| 4) | 2 | Outer Metal Wing Clips (Small clips) |
| 5) | 5 | Small Screws |
| 6) | 2 | Self Tapping Screws |
| 7) | 5 | Washers |
| 8) | 2 | Round Screw Plugs (Tan in color) |
| 9) | 8 | Abrasive Resistant Tapes |
| 10) | 5 | Nut Inserts (Dark Grey in color) |
| 11) | 6 | Bump-ons |

5. TOOLS REQUIRED: •Mild Soap and Water • 90% (or greater) Isopropyl Alcohol
• Clean Rag • #2 Phillips Screwdriver • Pliers • Non Permanent Pen or Pencil

6. INSTALLATION PRECAUTIONS / NOTES:

- 1) Clean with mild soap and water using a soft cloth or chamois.
- 2) Caution: Never use ammonia based cleaners or solvents.
- 3) Failure to ensure that the clip rests on the abrasive resistant tape may result in permanent paint damage.
- 4) Before securing the Hood Protector, ensure that the part is centralized with hood.
- 5) Do not over tighten screws.

INSTALLATION INSTRUCTIONS - HOOD PROTECTOR KIT

7. INSTALLATION PROCEDURE

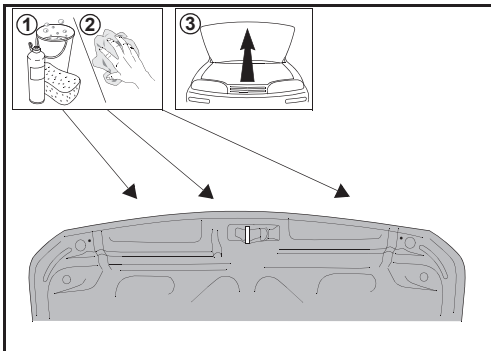


Figure 1. Cleaning hood areas

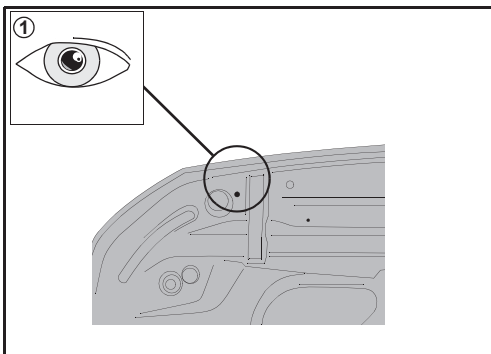


Figure 2.

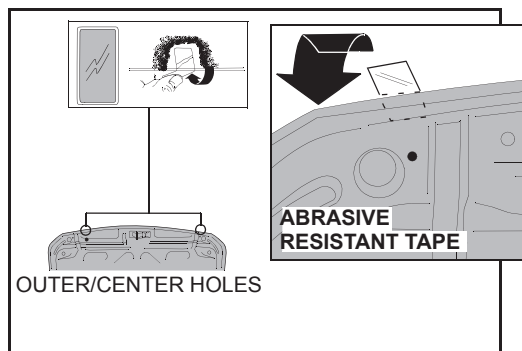


Figure 3. Abrasive resistant tape installation

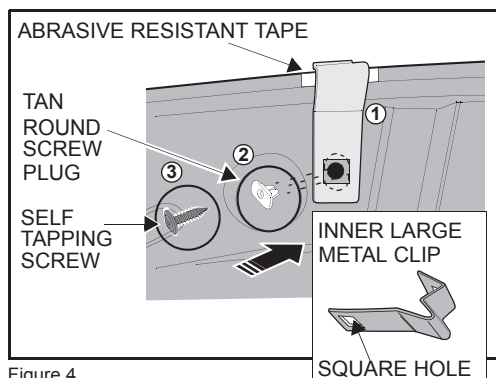


Figure 4.

1. Thoroughly clean the front of the hood with mild soap and water. Dry hood with clean dry towel. Clean same area of hood with 90% Isopropyl Alcohol and paper towel. Allow to dry. Raise the hood as shown in figure 1.

2. Note the two outer/center holes in the underside of hood as shown in Fig 2.

3. Adhere the abrasive resistant tape to the hood lip as per figure 3; half on the underside and half on the top of the hood.

Push the gray plastic nut insert into the square cut out in all of the metal clips as shown.

IMPORTANT: Please ensure that the plastic nut insert correctly engages the square hole of the clips as shown.



If the thread insert is not fully engaged it may pull away from the clip during use. To ensure full engagement, please use a pair of pliers to flatten the head of the nut insert against the clip, as shown above.

4. Note the large inner metal clips with the square hole. Insert these clips over the tape on the hood lip aligning the square hole in the clip with the round hole in the hood. Insert the round screw plug over the clip and into the round hole in the hood and secure with the self tapping screw provided. Ensure the square boss on the screw plug sits in the square hole in the clip. Lower hood

NOTE: Failure to ensure that the clip rests on the abrasive resistant tape may result in permanent paint damage!

INSTALLATION INSTRUCTIONS - HOOD PROTECTOR KIT

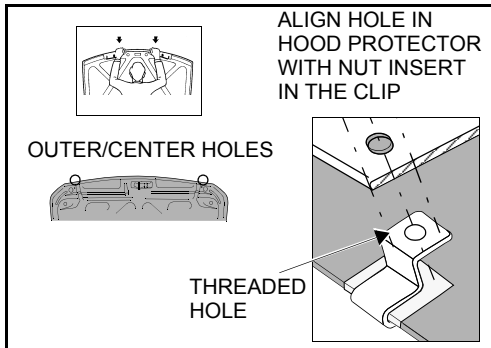


Figure 5.

5. Align the holes in the Hood Protector with the threaded nut insert holes in the clips, as shown in Figure 5. Loosely secure the Hood Protector with small screws and washers provided.
NOTE: Do not fully tighten screws at this time!

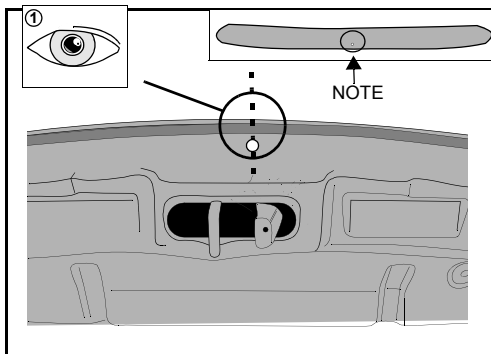


Figure 6. Locate the center clip position.

6. Note the center hole in Hood Protector as shown in Figure 6. Raise and support the hood so it is slightly open.

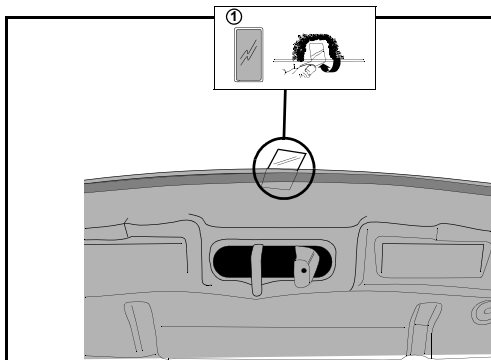


Figure 7. Abrasive resistant tape installation

7. Slightly lift front edge of hood protector. Align the provided abrasive resistant tape with center hole and adhere to the hood lip as shown in Figure 7; half on the underside and half on top of the hood.

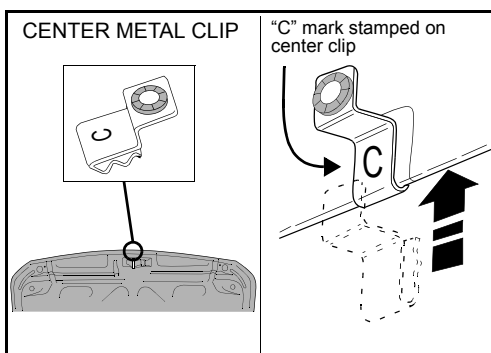


Figure 8.

8. Install the center metal clip onto the hood over the tape. Ensure clip is fully seated onto the hood lip. Lower the hood.

NOTE: Failure to ensure that the clip rests on the abrasive resistant tape may result in permanent paint damage!

INSTALLATION INSTRUCTIONS - HOOD PROTECTOR KIT

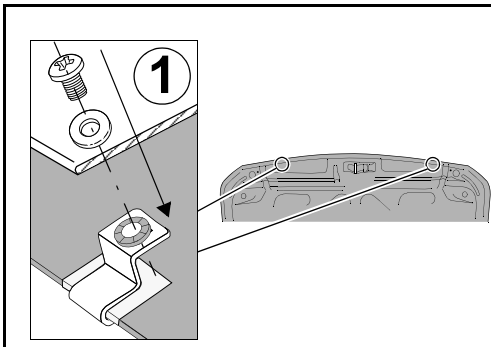


Figure 9. Securing Hood Protector

9. Loosely secure the center of hood protector to metal clip with the small screw and washer provided, as shown in Figure 9.

It may be necessary to slightly slide the center clip left to right to align the threaded hole with the Hood Protector hole (see Fig 9).

NOTE: DO NOT FULLY TIGHTEN SCREW AT THIS TIME!

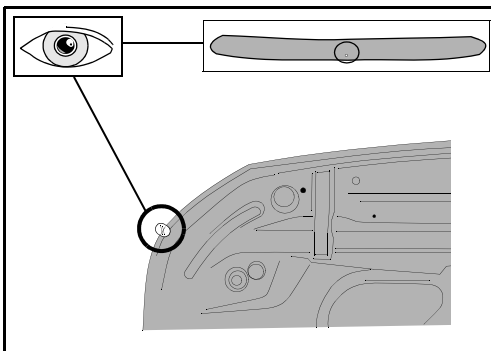


Figure 10.

10. Note the outer holes in Hood Protector as shown in Figure 10. Raise and support the hood so it is slightly open. Slightly lift front edge of Hood Protector.

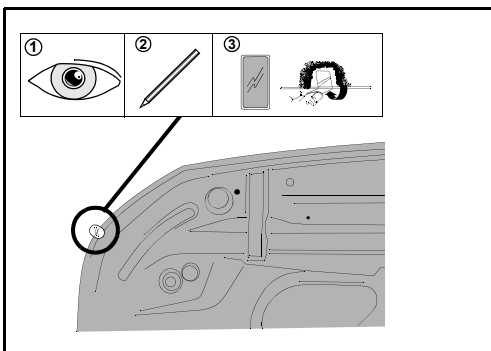


Figure 11. Abrasive resistant tape installation at outer hole locations.

11. Align the provided abrasive resistant tape with outer holes and adhere to the hood lip as shown in Figure 11; half on the underside and half on the top of the hood; at both outer hole locations.

INSTALLATION INSTRUCTIONS - HOOD PROTECTOR KIT

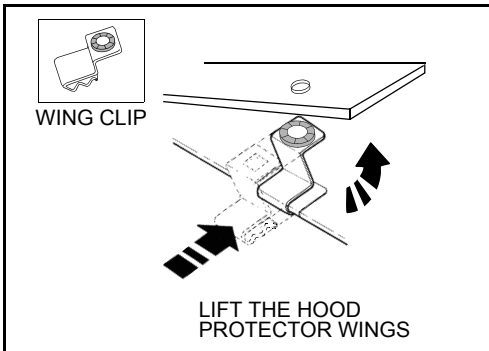


Figure 12.

12. Lift the Hood Protector and slide the wing clips over the hood lip as shown in Figure 12.

NOTE: Failure to ensure that the clip rests on the abrasive resistant tape may result in permanent paint damage!

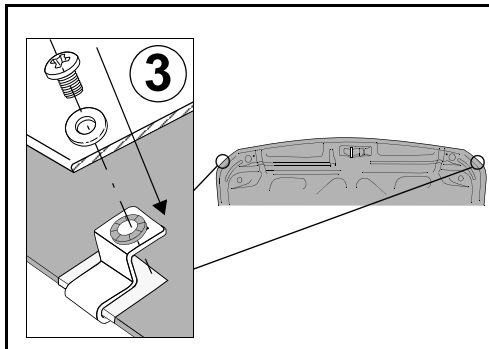


Figure 13. Securing Hood Protector

13. Secure the outer wing sections of Hood Protector to metal clips with the small screws and washers provided, as shown in Figure 13. It may be necessary to slightly slide the wing clips left to right to align the threaded holes with the Hood Protector holes.

NOTE: Do not fully tighten screws at this time!

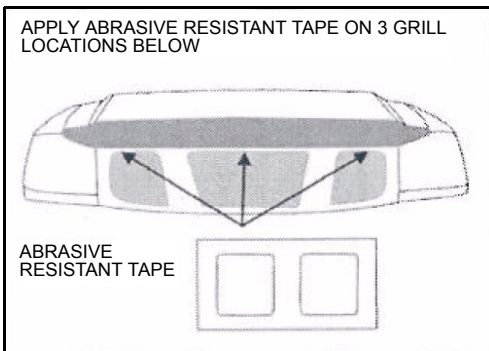


Figure 14. Abrasive resistant tape installation

14. Lower the hood. Note the area on top of the grille surround that sits directly below the three grille area clips. Clean these areas with the alcohol solution and let dry. Adhere the abrasive resistant tape to grille surround, directly under each clip location as indicated in Figure 14.

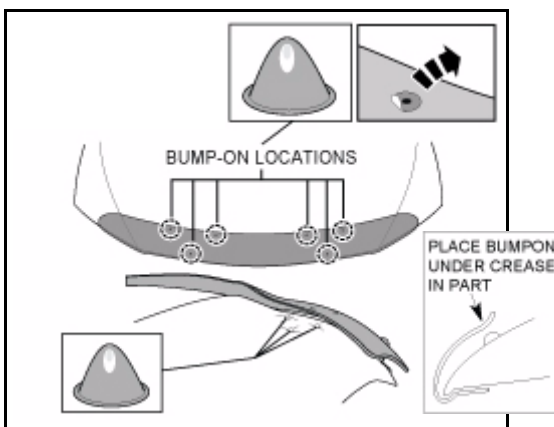


Figure 15. Bump-on insallation.

15. Slightly lift Hood Protector and apply the bump-ons to the hood surface, directly under each yellow sticker. Fully tighten the screws.

NOTE: APPLY A MINIMUM OF 15 POUNDS OF FORCE TO BUMP-ONS AT EACH YELLOW DOT LOCATION.

Remove yellow stickers from Hood Protector