



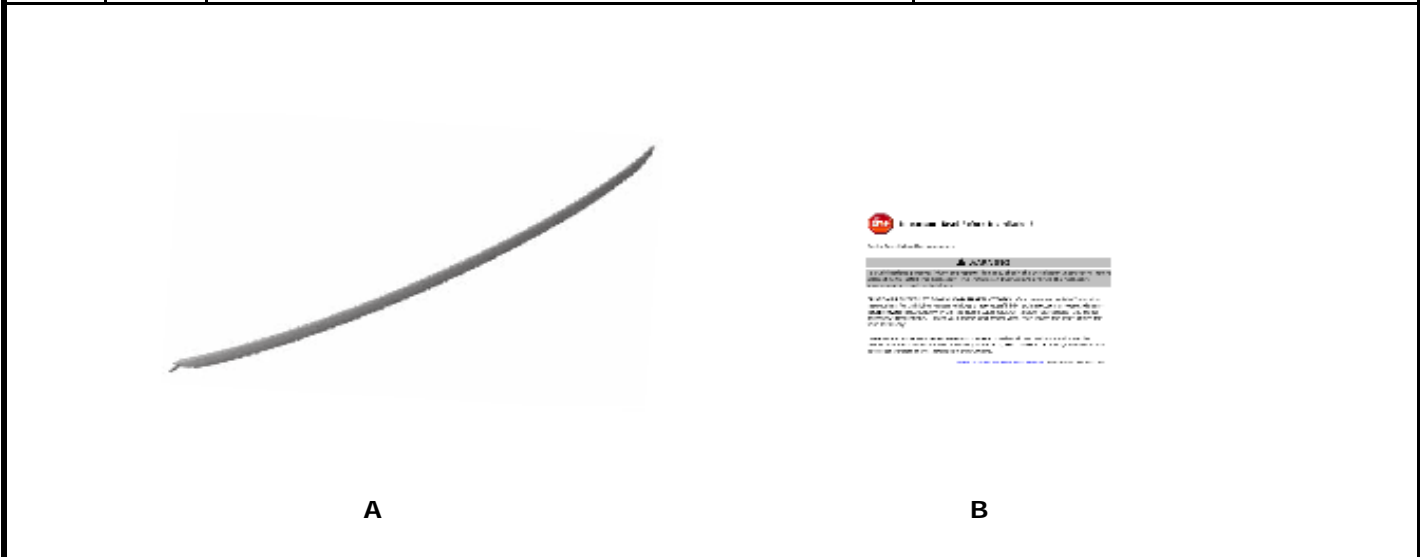
GENUINE PARTS

INSTALLATION INSTRUCTIONS

DESCRIPTION:	Rear Hatch Accent
APPLICATION:	Nissan Juke
PART NUMBER:	999M1 6X100

KIT CONTENTS:

Item	Qty.	Part Description	Service Part Number
A	1	Rear Hatch Accent	---
B	1	Instruction Replacement Template	---



- TOOLS REQUIRED:**
- 90% or greater Isopropyl Alcohol
 - Clean, lint-free towel
 - Masking tape (Painter’s tape preferred)
 - Scale or measuring tape

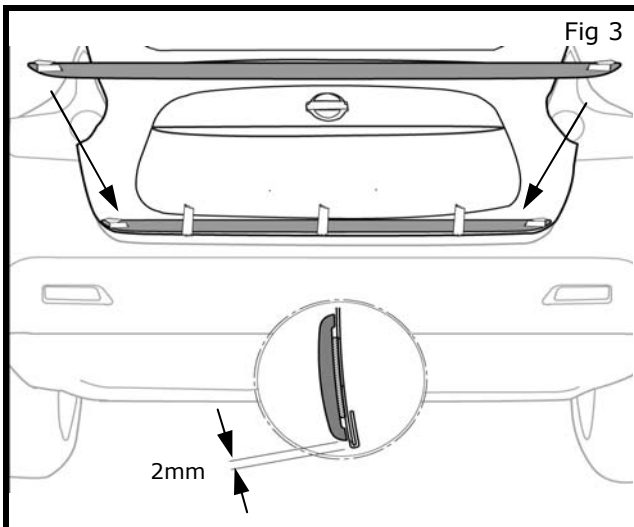
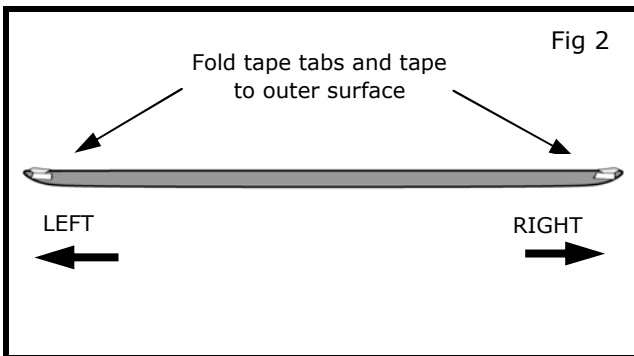
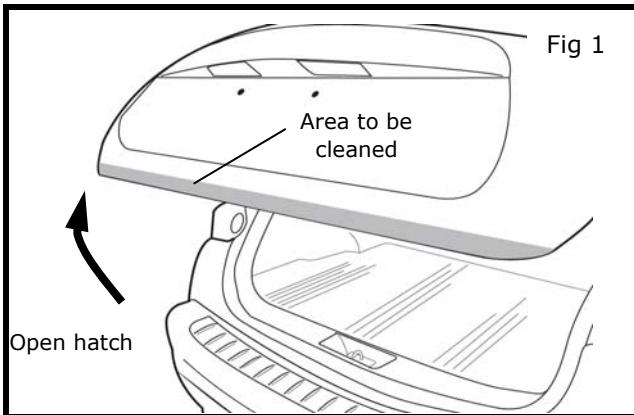
- PRE-INSTALLATION WARNINGS, CAUTIONS, CRITICAL STEPS, and NOTES:**
- Read the installation sheet and check the entire kit for possible damage or defects before performing any work.
 - Dry fit all parts to become familiar with proper placement.

CAUTION

- Do not touch the tape side with your fingers to avoid contaminating the tape and reducing adhesion strength.
- These parts are to be installed when the ambient temperature is between 60°F - 110°F (16°C - 43°C).
- Do not wash or expose the vehicle to a wet environment for 24 hours after installing the Rear Hatch Accent.
- Install the Rear Hatch Accent in the correct position only after the alcohol has dried.
- The tape will set in 15-20 seconds after the installation.
- Do not reposition the Rear Hatch Accent once the tape has started to set/adhere to vehicle.

INSTALLATION INSTRUCTIONS - Rear Hatch Accent

INSTALLATION PROCEDURE:



CAUTION

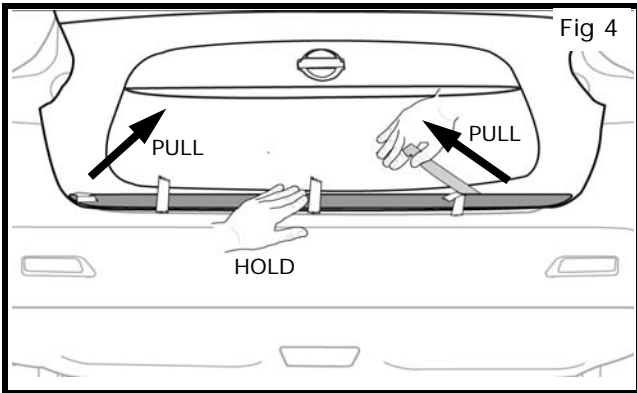
Do not touch vehicle plastic parts including tail lamp lenses with isopropyl alcohol to avoid potential damage.

- 1) Open hatch and support it partially open. Clean the area to be covered with the Rear Hatch Accent by using alcohol on a clean lint-free towel. (Fig. 1)
- 2) Use a new section of towel as you move from area to area. Allow to dry for at least 2 minutes.
- 3) The hatch may be closed or supported partially open from this point on.

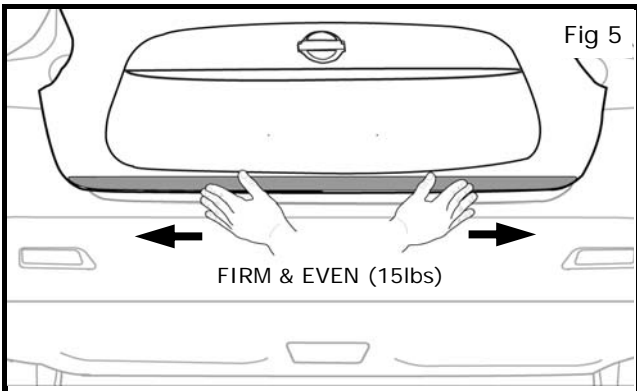
NOTE: Always dry fit parts to ensure proper fit and location.

- 4) Fold each tape tab over top of Accent and tape to outer surface. (Fig. 2)
- 5) Position the Accent on the vehicle hatch, maintaining an even gap of 2mm from edge of part to edge of hatch.
- 6) Secure the Accent with masking tape as shown.
- 7) Adjust masking tape and Accent as needed to assure proper location, with even spacing from edge of Accent to edge of hatch.

INSTALLATION INSTRUCTIONS - Rear Hatch Accent



- 8) Hold Accent firmly in position and pull each tape liner upward to remove.
- 9) When liner reaches masking tape, apply light pressure to Accent to tack in proper position, remove the upper portion of the masking tape and remove remaining tape liner.



- 10) Remove masking tape.
- 11) Apply firm and even pressure of 15lbs. across the Accent surface. Start at center and work toward each end 3 times to ensure adequate adhesion.