



GENUINE PARTS

INSTALLATION INSTRUCTIONS

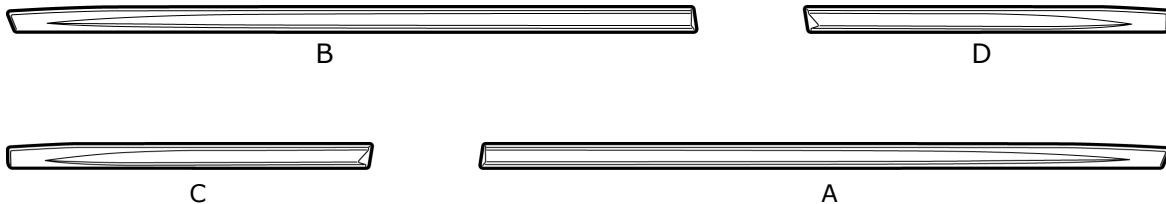
DESCRIPTION: Body Side Molding

APPLICATION: Juke

PART NUMBER: 999G2 6X010

KIT CONTENTS:

Item	QTY	Description	Service Part Number
A	1	Molding - RH Front Door	999G2 6X002S1
B	1	Molding - LH Front Door	999G2 6X004S1
C	1	Molding - RH Rear Door	999G2 6X003S1
D	1	Molding - LH Rear Door	999G2 6X005S1
E	1	Installation Instructions Replacement Template	---



5. TOOLS REQUIRED:

- Clean, lint-free wiping cloth
- 90% or greater alcohol solution
- Measuring tape
- Roller (optional)
- Masking Tape

6. PRE-INSTALLATION CAUTIONS/NOTES:

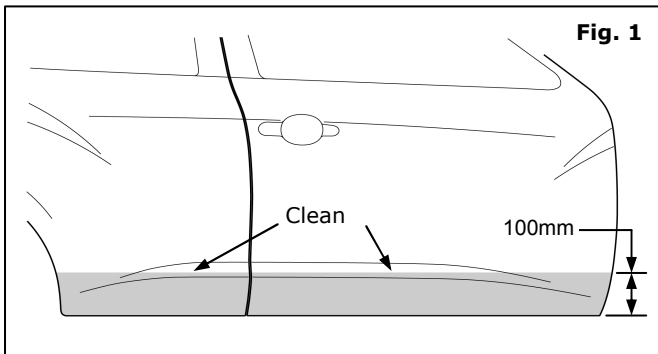
- Dealer installation recommended.

CAUTION

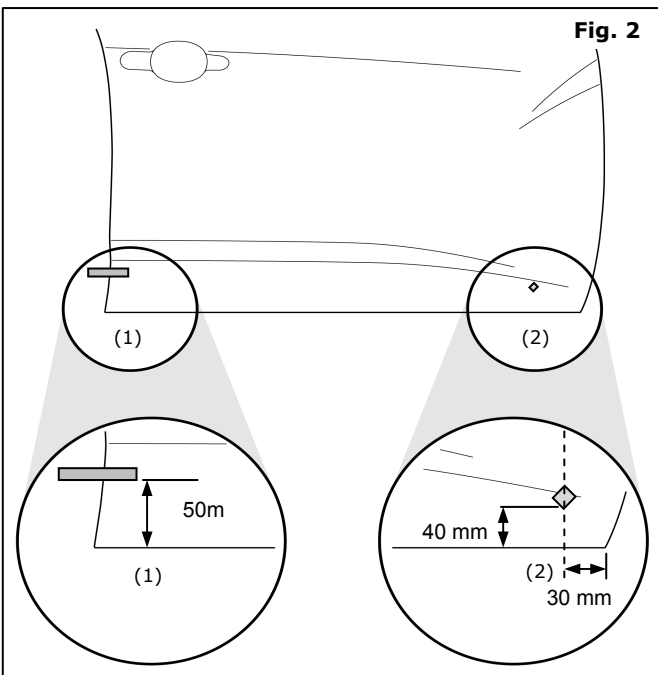
- Failure to clean the mounting surface properly may cause the adhesive tape to have poor adhesion to the vehicle.
- If the vehicle has been recently repainted, please allow the vehicle paint to dry and age 24 hours before installing the body side moldings.
- Please install the body side moldings when the ambient temperature is above 60°F (15°C)
- Do not wash or expose vehicle to a wet environment for 24 hrs after installing the moldings.
- Please use proper pressure to wet the tape on the body side molding to the door (15 lbs/inch²)

INSTALLATION INSTRUCTIONS - Body Side Molding

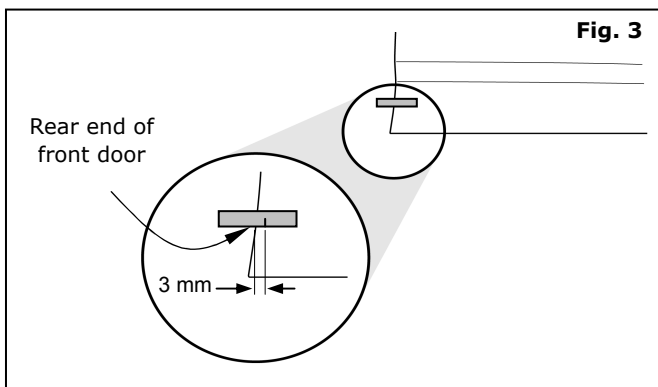
7. INSTALLATION PROCEDURE:



- 1) Clean vehicle area thoroughly with soap and water to remove any dirt or debris and allow to dry. **(Fig. 1)**
- 2) Using a clean, lint-free cloth and 90% alcohol solution, clean area on doors where part will be installed. **(Fig. 1)**

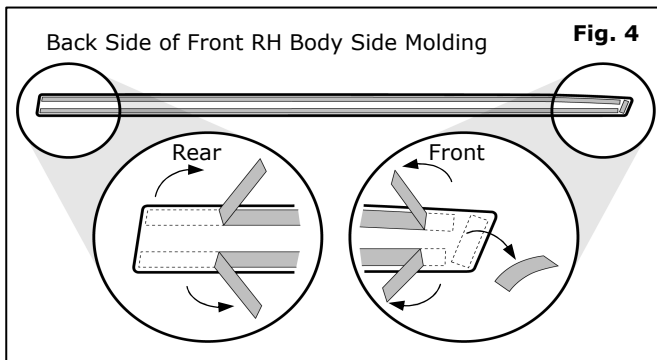


- 3) Measure 50mm up from point (1) and mark with masking tape. Tape should extend horizontally across to rear door. Bottom edge of tape should be 50mm from bottom of door. **(Fig. 2)**
- 4) Measure 30mm from front edge of front door. Measure 40mm up from point (2) and mark with masking tape as shown in **Fig. 2**. Bottom point of tape should be 40mm from bottom of door.

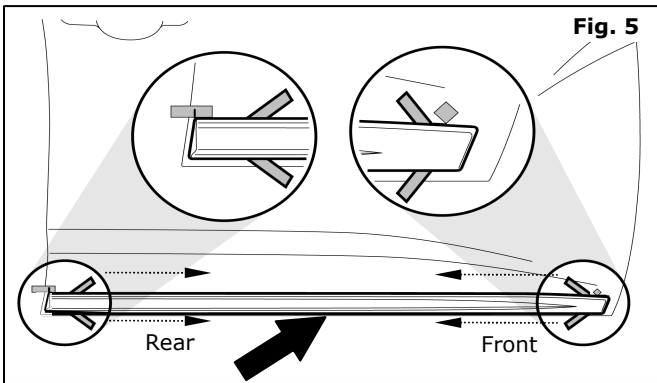


- 5) Measure 3mm from rear of front door as shown and mark on tape. Rear of molding should be placed at this line and no closer to door gap. **(Fig. 3)**

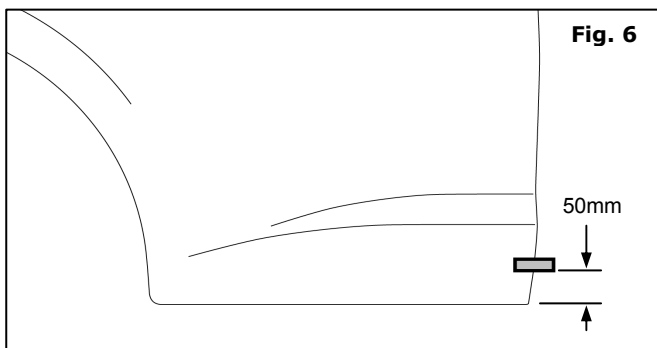
INSTALLATION INSTRUCTIONS - Body Side Molding



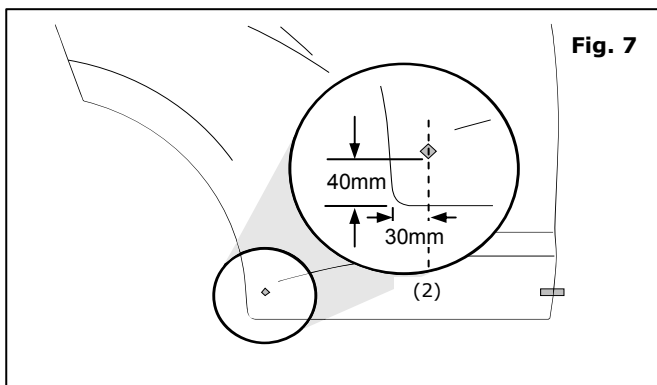
- 6) Remove tape liner from small tape. Peel back two long tape liners 30mm from each end of molding and fold them as shown **(Fig. 4)**



- 7) Align molding top edge with bottom edge of masking tape with 3mm indicator mark and diamond shaped tape. Stick tape to door. Remove remaining red liner (gently) and stick part to door. **(Fig. 5)**
- 8) Starting from rear and moving to front, apply firm, even pressure using hand or roller across body side molding to adhere to vehicle.

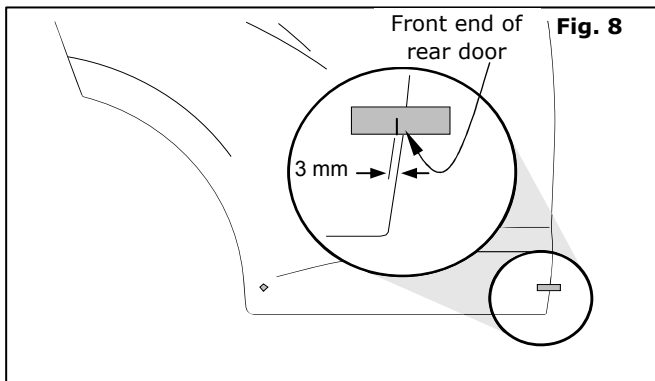


- 9) Based on **Fig. 2**, verify bottom edge of tape extended from front door is 50mm from bottom of door. **(Fig. 6)**

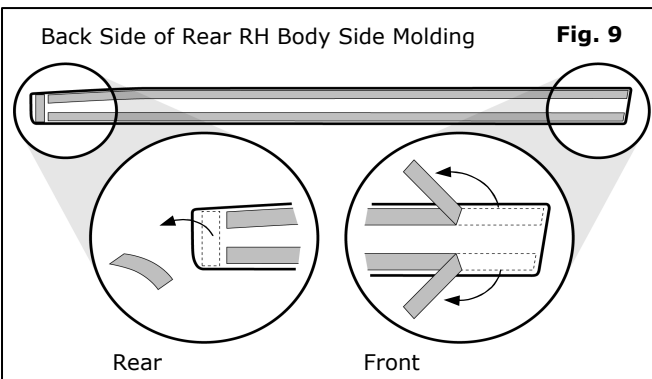


- 10) Measure 30mm from rear edge of rear door. Measure 40mm up from point (2) and mark with masking tape as shown in **Fig. 7**. Bottom point of tape should be 40mm from bottom of door.

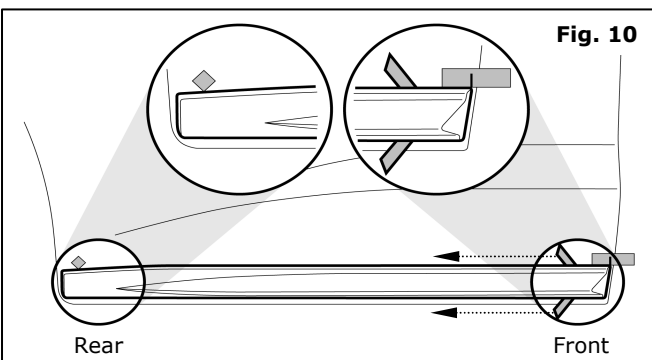
INSTALLATION INSTRUCTIONS - Body Side Molding



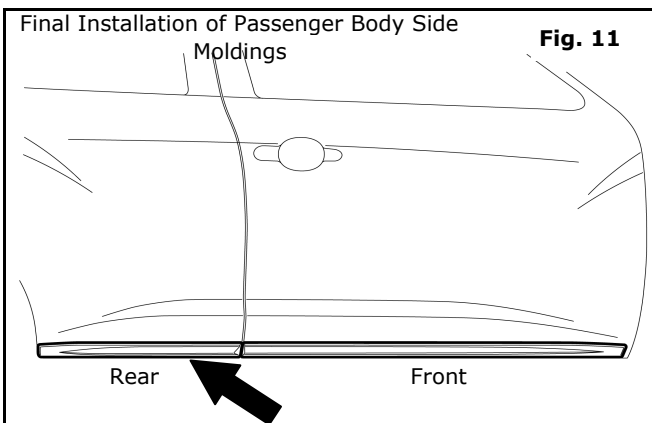
- 11) Measure 3mm from front of rear door as shown and mark on tape. Front of molding should be placed at this line and no closer to door gap. **(Fig. 8)**



- 12) Remove tape liner from small tape. Peel back two long tape liners 30mm from back side of molding and fold them as shown **(Fig. 9)**



- 13) Align molding top edge with bottom edge of masking tape with 3mm indicator mark and diamond shaped tape. Stick tape to door. Remove remaining red liner (gently) and stick part to door. **(Fig. 10)**



- 14) Starting from front and moving to rear, apply firm, even pressure using hand or roller across body side molding to adhere to vehicle. **(Fig. 11)**
- 15) Repeat steps 1 through 14 for driver side body side molding installation.