



GENUINE PARTS

INSTALLATION INSTRUCTIONS

DESCRIPTION: Rear Bumper Protector

APPLICATION: Murano

PART NUMBER: 999T6 CV000

KIT CONTENTS:

Item	Qty.	Part Description	Service Part Number
A	1	Rear Bumper Protector	---
B	1	Installation Instruction Replacement Template	---

TOOLS REQUIRED:

- Clean, Lint-Free Wiping Cloth
- 90% (or greater) Isopropyl Alcohol
- Scale
- Masking Tape

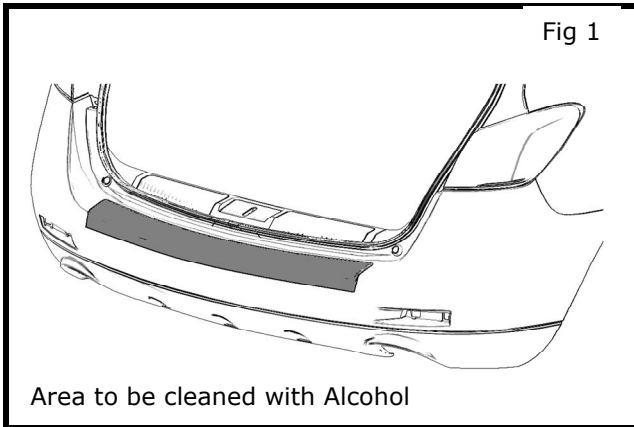
PRE-INSTALLATION WARNINGS, CAUTIONS, CRITICAL STEPS, and NOTES:

- Dealer Installation Recommended. Instructions may refer to Service Manual.

CAUTION

- Install the rear bumper protector only when the part & vehicle temperature are between 60°F - 110°F (16°C - 43°C).
- Do not wash or expose the vehicle to a wet environment for 24 hours after installing the bumper protector.

INSTALLATION PROCEDURE:

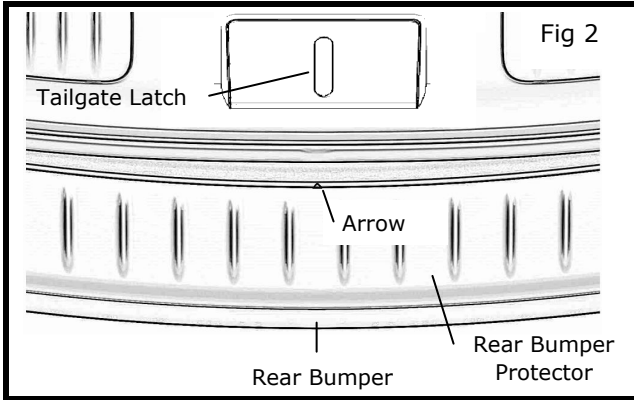


- 1) Clean vehicle area thoroughly with soap and water to remove any dirt or debris and allow to dry.
- 2) Bumper protector installation prep.
 - a) Open rear hatch.
 - b) Using a clean lint-free cloth and 90% Isopropyl Alcohol, clean area of rear bumper where part will be installed.
See Fig. 1.
 - c) Allow time to dry thoroughly.

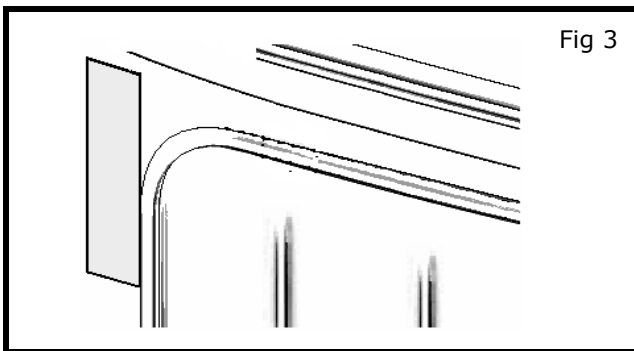
CAUTION

Failure to clean the mounting surface properly may cause the adhesive tape to have poor adhesion to the vehicle.

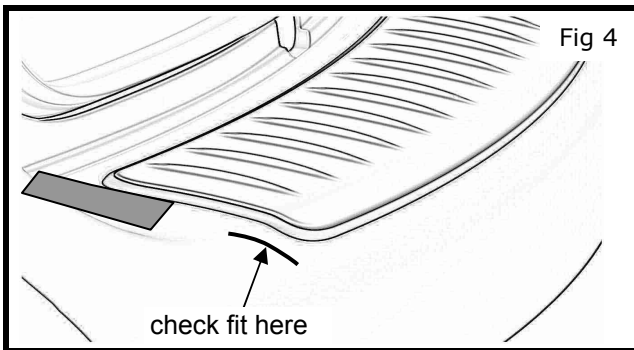
INSTALLATION PROCEDURE:



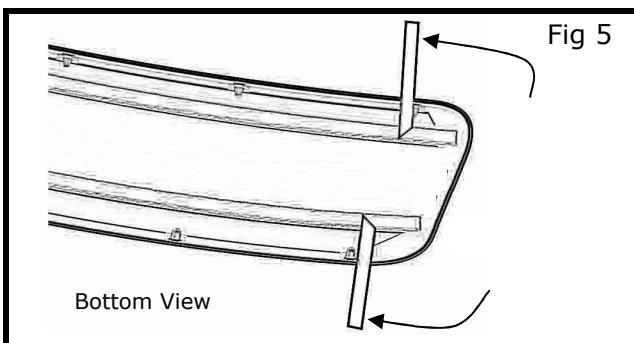
- 3) Dry fit the bumper protector on the vehicle .
 - a) Align the bumper protector centering arrow with the tailgate latch. See Fig. 2.



- 4) Apply locating tape to bumper at right & left edges of the part. See Fig. 3.

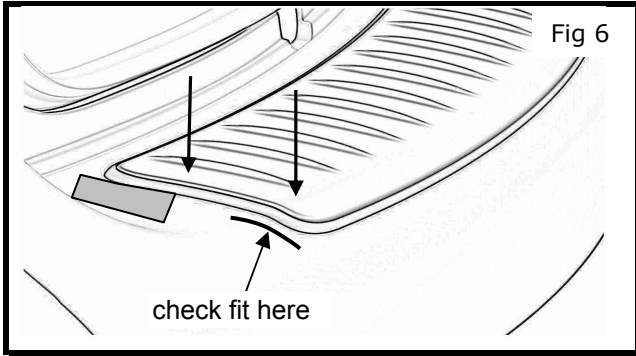


- 5) Check the fore/aft alignment of the bumper protector to the curvature of the bumper for consistent gap. See Fig. 4.

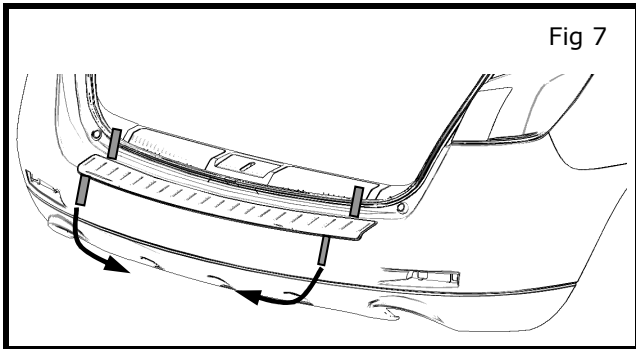


- 6) Remove part and peel back approximately 30mm on all tape liners. See Fig. 5.

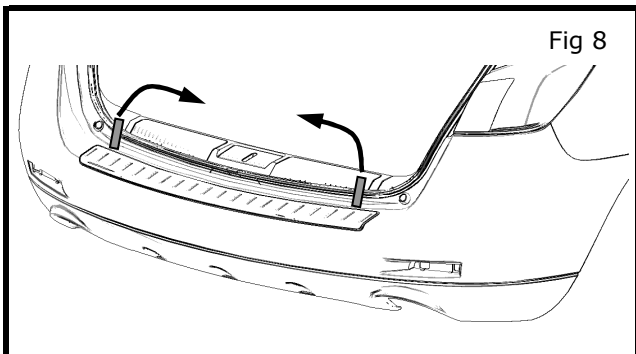
INSTALLATION PROCEDURE:



- 7) Align part to tape edges and marks and lightly tack the bumper protector to the vehicle. See Fig. 6.
- 8) Confirm arrow alignment and consistent fit. If necessary, un-tack bumper protector and repeat. See Fig. 6.



- 9) While holding part in position with one hand remove rear tape liners. See Fig. 7.
- 10) Using a clean lint-free cloth, start at the center and apply 15 lbs of force along the tape path.



- 11) While holding part in position with one hand remove front tape liners. See Fig. 8.
- 12) Using a clean lint-free cloth, start at the center and apply 15 lbs of force along the tape path.
- 13) To ensure adequate adhesion, re-apply 15 lbs of force across the entire part.
- 14) Remove protective film from the top surface of the bumper protector.
- 15) Close rear hatch.
- 16) Do not expose vehicle to moisture for 24 hours.