

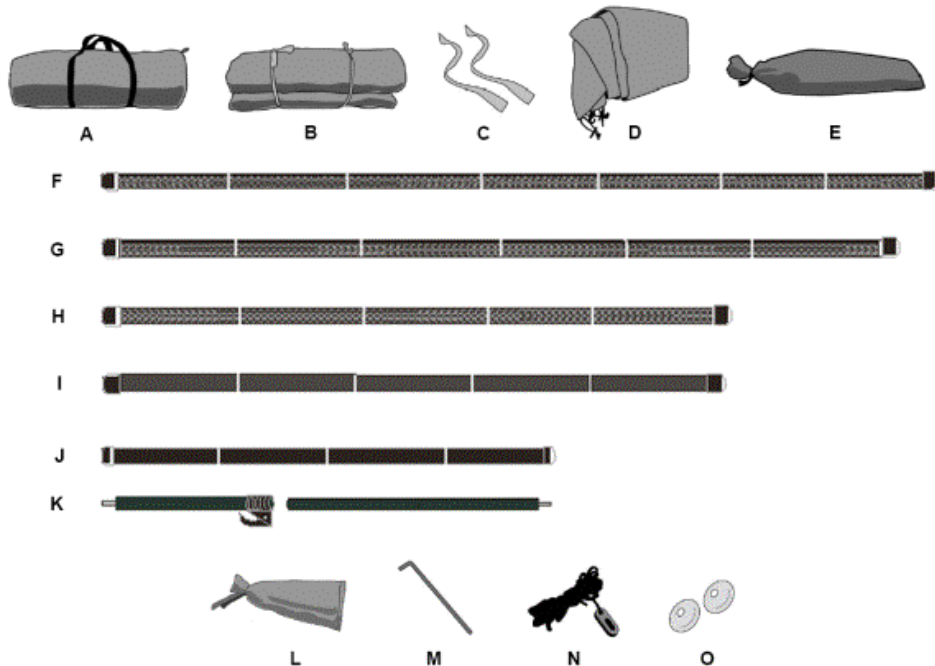


GENUINE PARTS

INSTALLATION INSTRUCTIONS

- | | |
|------------------------|---|
| 1. DESCRIPTION: | Truck Tent |
| 2. APPLICATION: | Titan 2004 ->, Frontier 2005 -> |
| 3. PART NUMBER: | Titan: 999T7-WQ400, 999T7-WQ450
Frontier: 999T7-BR300KC, 999T7-BR300CC |

4. KIT CONTENTS:		
Item	Qty	Description
A	1	Tent Bag
B	1	Tent
C	2	Tie Strap
D	1	Rain Fly / Awning
E	1	Pole Bag
F	2	Corner to corner pole (Frontier-gray, 7 sections, blue dots)(Titan-gray, 7 sections, blue dots)
G	1	Tailgate pole (gray, 6 sections, green dots)
H	1	Side to side pole (gray, 5 sections, white dots)
I	1	Inside pole (black, 5 sections)
J	2	Canopy pole (black, 4 sections)
K	2	Telescoping Awning Poles
L	1	Stake Bag
M	4	Steel Stakes
N	4	Awning Cords
O	4	Rubber Caps



- | | |
|---------------------------|------|
| 5. TOOLS REQUIRED: | None |
|---------------------------|------|

INSTALLATION INSTRUCTIONS

6. INSTALLATION PRECAUTIONS / NOTES:

WARNING

- To prevent personal injury, engine must be off and pickup bed must be cool before tent installation or use. Failure to observe the following cautions may result in damage to your vehicle.
- Your tent has been designed exclusively to fit your Nissan pick-up bed.
- Once the tent has been installed, do not use this product while the vehicle's engine is running. Do not attempt to drive or move the vehicle after the tent is installed.
- If your vehicle has been painted, you must wait a minimum of three months to allow the paint to cure completely before installing your tent, otherwise, the paint may be damaged.
- Do not install the tent when your vehicle is wet and the temperature is below freezing as the tent may freeze onto the vehicle.
- Do not cook or smoke in the tent. No open flames should be in or near the tent.

BEFORE YOU START

Before installing this product onto your vehicle you must perform the following:

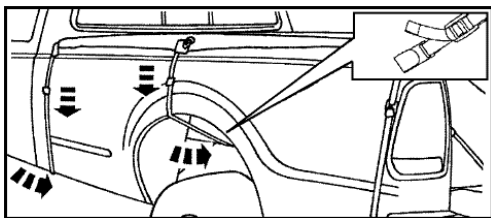
- Park the vehicle on a level section of ground. Do not attempt to install this product when your vehicle is parked on an incline.
- Place the vehicle's transmission into park (automatic transmission) or neutral (manual transmission) and engage the parking brake.
- Turn off the vehicle's ignition and allow the exhaust pipe to cool for a minimum of 20 minutes. By doing so, this will prevent personal injury from the exhaust heat and will prevent exhaust heat damage to the tent. Do not attempt to install this product onto the vehicle when the engine is in operation.

CARING FOR YOUR TENT

- Apply seam sealer to all seams to ensure a leak proof seal before using.
- Please refer to the label sewn into your tent for car information or the last page of the instruction sheet.

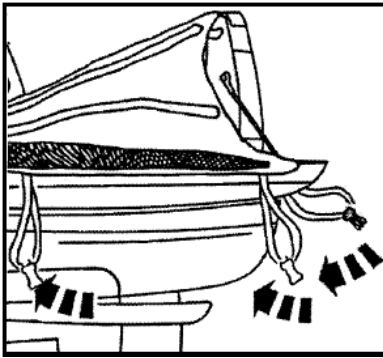
7. INSTALLATION PROCEDURE

- 1) By following these instructions, you will extend the life of your tent.
 - a) Drop the tailgate of the truck to the down position.
 - b) Remove the contents from the Tent Storage Bag. Unfold the tent in the bed of your truck; make sure the tent door is facing the back (or tailgate) of your truck. Unroll the tent and ensure that all components are present. See section 4 – Kit Content of this instruction sheet.

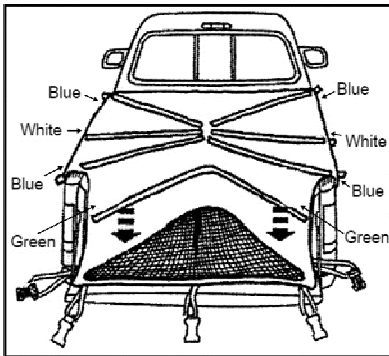


- 2) Loosely attach the three straps on each side of the truck by hooking the middle straps under the wheel well and the outside straps under the truck body. The sides of the tent should slightly overlap the top of the truck bed. NOTE: Do not tighten the straps at this point.

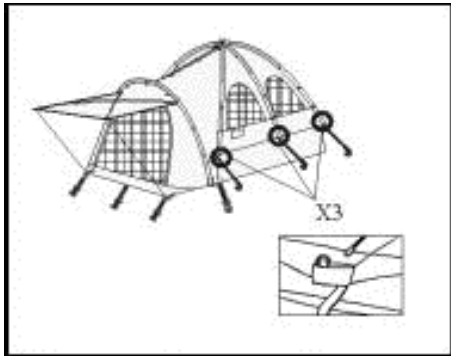
INSTALLATION INSTRUCTIONS



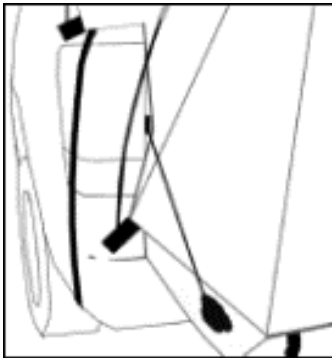
- 3) Loosely attach the three straps at the back of the truck around the tailgate and bumper; the male clip slips between the truck box and the tailgate and wraps around the bumper to then clip to the female clip under the tailgate.



- 4) Insert the side-to-side pole (5 sections & white dots) across the width of the tent; then insert the two corner-to-corner poles (Frontier-7 sections & blue dots, Titan-6 section & blue dots) while the tent is laying flat. Finally, insert the tailgate pole (6 sections & green dots) just above the door.

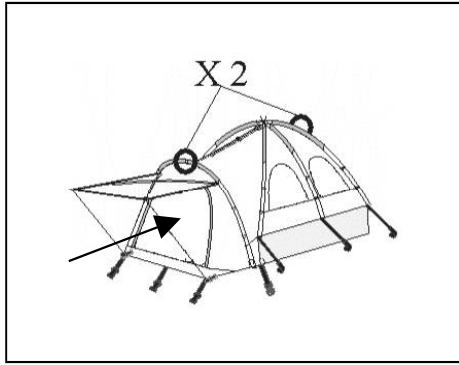


- 5) Insert the ends of each pole into their corresponding pockets on the tent (three per side), first with the corner-to-corner poles and then the side-to-side pole. When you do this, the poles will arch the tent. Attach the clips from the tent onto each pole to support the tent.

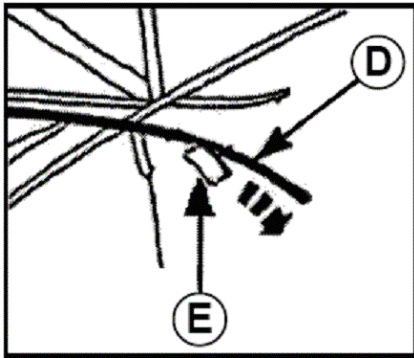


- 6) Raise the tailgate pole last by inserting each end into its pocket and fastening the tent clips to the pole.

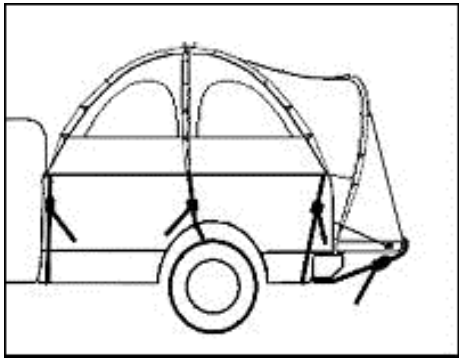
INSTALLATION INSTRUCTIONS



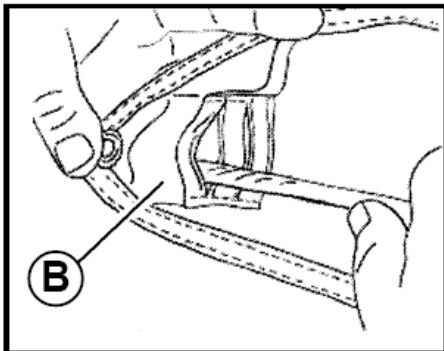
- 7) Open the door and insert the Black Inside Pole (D) by placing each end into the pockets located inside at the front and back of the tent's ceiling.



- 8) Position the pole in the center of the roof and secure it using the Velcro straps (E) sewn into the centerline hem of the tent. Once the tent is standing, tighten the straps around the truck bed to ensure a snug fit.

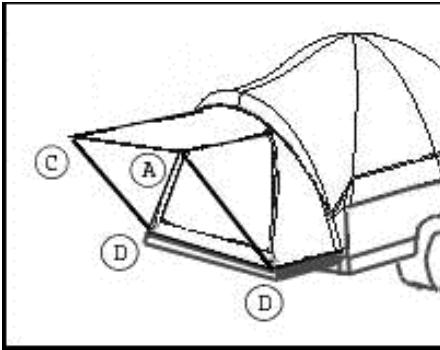


- 9) Prior to tightening, ensure the tent is pulled all of the way forward, such that the tent covers the entire bed. Tighten side straps and then tailgate straps.

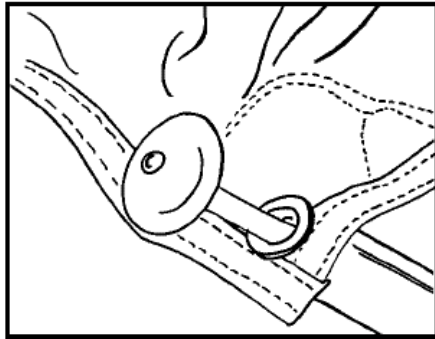


- 10) AWNING ASSEMBLY - If you wish to omit setting up the canopy, roll up the canopy and secure it with the loops located on either side above the door or proceed to step 10a.
 - a) Identify the two awning poles. Insert these poles into the sleeves located on the underside of the awning, (A). Please note that each awning pole pocket includes two separate pockets to adjust for tension.
 - b) Visually inspect the closed ends of these sleeves to ensure that the pole is completely inserted. Insert the ends of the poles into their pockets (B).

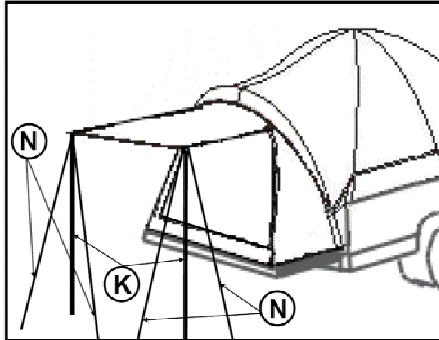
INSTALLATION INSTRUCTIONS



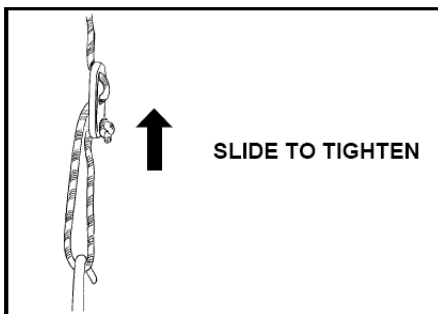
- c) Identify the two telescoping awning poles. Place one end of the pole into the grommet of the awning, (C), and the other end into the grommet located at the rear lower edge of the tent. (D).



- d) Place rubber caps onto both top ends of each telescoping pole as shown to hold the poles in position.



- 11) Optional - If desired, the telescoping awning poles can be inserted into soft ground and then be staked into place by means of the awning cords and stakes provided in the kit (N).
- a) Place the bottom end of each pole (K) vertically into the ground instead of inserting the ends into the tent grommets.
- b) Drive two stakes into the ground approximately three feet away from the base of each pole and away from the vehicle.
- c) Using two cords per pole, place the metal ring of each cord over the top of the pole and over the rubber cap. Place the loop of each cord over the hooked end of each stake as shown.



INSTALLATION INSTRUCTIONS

TENT CARE TIPS

To further the life of your tent the following care suggestions are recommended:

1. **NEVER ROLL UP OR PACK AWAY A WET TENT. THIS WILL CAUSE MILDEW. MILDEW WILL DESTROY THE COTTON THREAD USED IN YOUR TENT SEAMS.**
2. Store your tent in a dry place.
3. Avoid spraying insect repellent, hair spray, etc., inside or near your tent, as they may be harmful to the tent fabric and cause leakage. Acids and caustic solutions can damage nylon. This includes leaking flashlight batteries, ascorbic acid in fruit juices, etc.
4. Cleaning tent. Hand wash with a sponge, using soap such as Ivory flakes. Never use washing machine or detergent as they may damage the seams or the coating.
5. Condensation. The human body gives off a considerable amount of moisture during the night. If this moisture cannot escape from the tent, it will condense on the inner surface and will make it wet. Condensation droplets may drop off, which may appear like leakage or misting. *THIS DOES NOT MEAN THAT THE TENT LEAKS.* If your door flap and windows are left open or partially open, this condition will reduce itself.
6. This material has been scientifically treated with the finest water resistant chemicals. However, under severe weather conditions, some water may penetrate. We suggest using a fly to keep you cool and dry.
7. The polyester material in your tent has been treated with ultra violet inhibitor. However, prolonged exposure in the sun will affect the strength of the material.
8. If the zippers stick, lubricate with silicon. Never force a zipper that has material caught in it, as this will bend the slider and prevent the zipper from closing. Continual use in a sandy environment can cause a slider to erode and fail to close the zipper.

A TENT IS NOT WATERPROOF IT IS WATER REPELLANT

Under normal weather conditions your tent will provide excellent protection. The materials in your tent have been treated with the finest chemicals as well as being laboratory tested and will give you excellent protection even in bad weather. However, under severe weather conditions we highly recommend a fly or inexpensive tarp to be set up over your tent, as rain may penetrate through, as it does under such conditions into your house, through your basement, windows, doors, even your roof.