



GENUINE PARTS

INSTALLATION INSTRUCTIONS

DESCRIPTION: Zero Emission Graphic

APPLICATION: LEAF (2011)

PART NUMBER: DARK GRAY G6820-3NA0A
LIGHT GRAY G6820-3NA0B

KIT CONTENTS:

Item	Qty.	Part Description	Service Part Number
A	1	Zero Emission Graphic, RH	G6821-3NA0x
B	1	Zero Emission Graphic, LH	G6822-3NA0x
C	1	Squeegee	---
D	1	Installation Instruction Replacement Template	---



A



B



C



D

TOOLS REQUIRED:

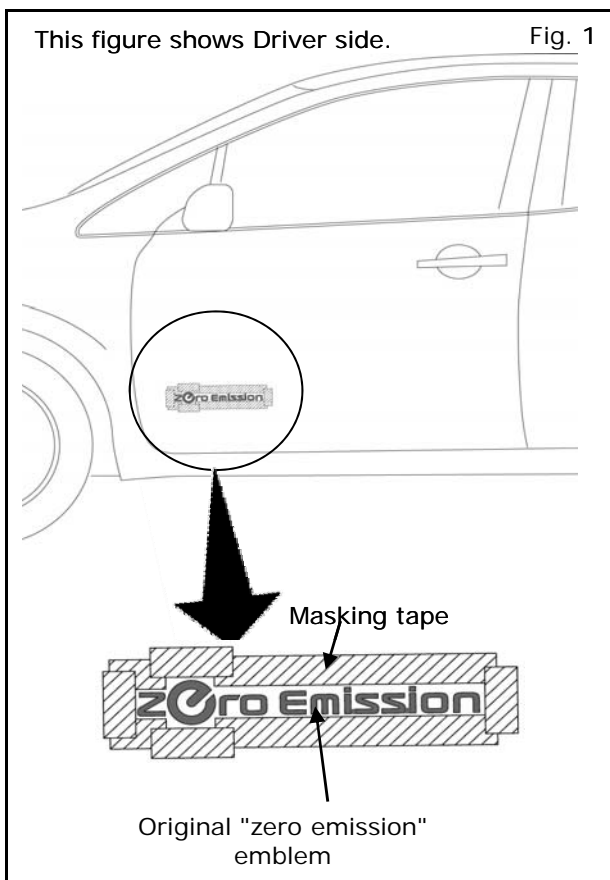
- Masking Tape
- Squeegee(Included)
- Clean, Lint Free Cloth
- 90% or greater Alcohol
- Detergent/water
- Heat Gun

PRE-INSTALLATION NOTES AND CAUTIONS:

- Installation requires an experienced/professional, graphics installer.
- After opening the kit, check all parts.
- This product should be install with the proper installation tools.
- Install this kit while observing all warnings and precautions stated in these instructions.
- VERY IMPORTANT. Begin with a thoroughly washed clean vehicle.
- Vehicle body surface and graphics must be at a minimum of 70°F for proper installation, With clean lint-free cloth, wipe the paint surface with isopropyl alcohol (safe on paint) just prior to the application of the graphics. Wipe with a dry, lint-free cloth. Change cloths frequently to eliminate built up of contaminants.
- To ensure a bubble-free application, use two tiny drops of liquid "Joy" brand detergent into a trigger type plastic spray bottle. Fill the bottle with water. Set the nozzle to fine mist. Thoroughly saturate the paint surface where the graphic is to be applied, with the detergent/water solution. Take extra care in extreme heat not to allow the detergent/water solution to dry before graphics are to be applied.
- Position the graphic in the correct vehicle location. Do not smooth it down with your hands! Thoroughly squeegee the entire surface of the graphic with firm, overlapping squeegee strokes.
- If the graphic tends to lift off of the vehicle while premask is being removed, the cause is:
 - 1) Too much detergent in the spray bottle. (Rinse it out and use less detergent.)
 - 2) Not enough pressure on the film surface from the squeegee. Increase the pressure and ensure overlapping squeegee strokes.

- Re-apply detergent/water solution to the surface of graphic and re-squeegee to ensure good adhesion and remove bubbles. Remove any remaining bubbles with a pin.
- Maintain a vehicle body temperature of 70°F or higher for a minimum of 30 minutes after graphic installation.
- It is recommended that masking tape be used periodically along the premask to indicate the positioning of the graphics during application.

INSTALLATION PROCEDURE:

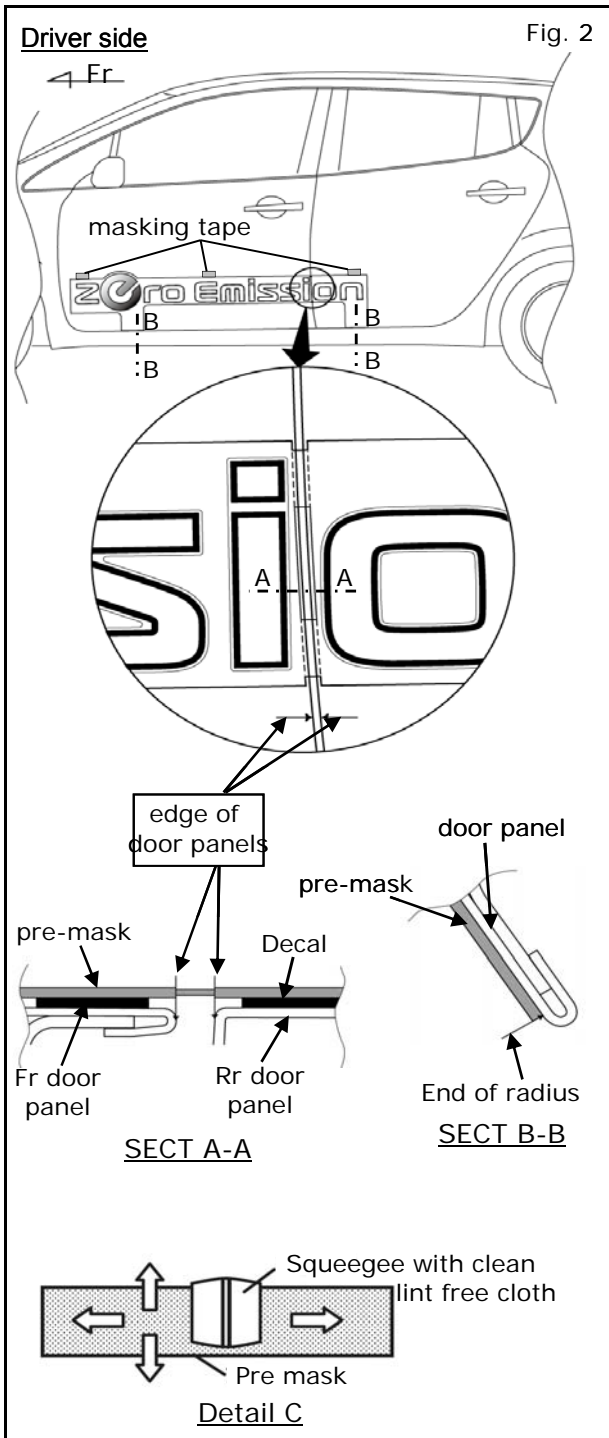


- 1) Remove the original "zero emission" emblems from the RH&LH front side door.
 - a) Apply the masking tape to protect the vehicle around the original "zero emission" emblem. See Fig. 1.
 - b) Use heat gun to remove the original "zero emission" emblem carefully without damaging the vehicle.
 - c) Remove the adhesive tape from around the original "zero emission" emblem and clean using 90% or greater alcohol.

NOTE:

If not properly cleaned, the decal adhesion performance can't be guaranteed.

INSTALLATION PROCEDURE:



- 2) Dry fit the graphic on the vehicle. Apply masking tape to the top horizontal edge of pre-mask to hold in place. See Fig 2.
- 3) Slowly remove the heavy white liner from the adhesive side of graphic. The best way to remove the liner is to lay the graphic face down on a table and remove. If a table is not available, keep the graphic as flat as possible and remove the liner by supporting the front of the graphic against a leg, body or vehicle. Be careful not to contaminate the adhesive of the graphic. Spray the adhesive side of the graphic with the detergent/water solution.
- 4) Position the graphic on the driver side of the vehicle. Locate the notches of pre-mask in the part to the gap between Fr door / Rr door as shown in Fig.2, section A-A. Secure the bottom horizontal edge of pre-mask to the door bottom edge (end of radius) with masking tape to hold in place. See section B-B.
- 5) Squeeze from centre to outer by squeegee with clean lint free cloth. See the Detail C.
- 6) Remove the premask from the applied graphic by slowly pulling it off at a 180° angle back against itself, taking care not to lift the graphic from vehicle.

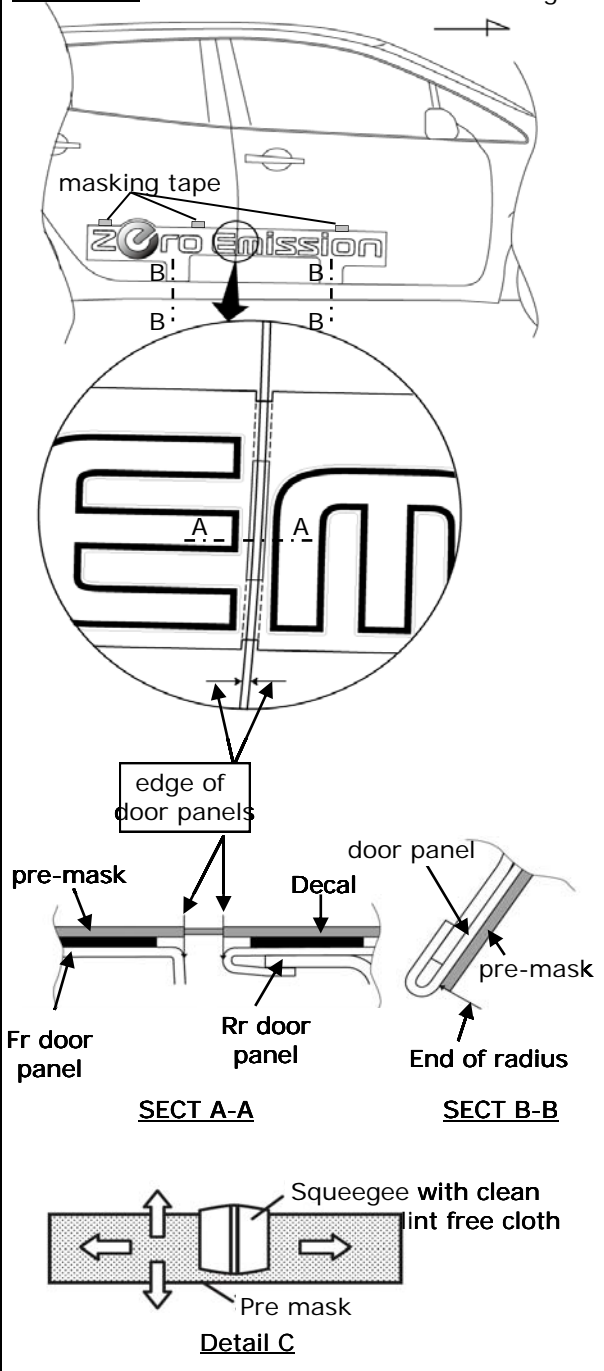
NOTE:
Apply as described pre-installation notes, Install the graphic.

NOTE:
Re-apply detergent/water solution to the surface of graphic and re-squeegee to ensure good adhesion and remove bubbles. Remove any remaining bubbles with a pin.

INSTALLATION PROCEDURE:

Assist side

Fig. 3



- 7) Dry fit the graphic on the vehicle. Apply masking tape to the top horizontal edge of pre-mask to hold in place. See Fig 3.
- 8) Slowly remove the heavy white liner from the adhesive side of graphic. The best way to remove the liner is to lay the graphic face down on a table and remove. If a table is not available, keep the graphic as flat as possible and remove the liner by supporting the front of the graphic against a leg, body or vehicle. Be careful not to contaminate the adhesive of the graphic. Spray the adhesive side of the graphic with the detergent/water solution.
- 9) Position the graphic on the assist side of the vehicle. Locate the notches of pre-mask in the part to the gap between Fr door / Rr door as shown in Fig.3, section A-A. Secure the bottom horizontal edge of pre-mask to the door bottom edge (end of radius) with masking tape to hold in place. See section B-B.
- 10) Squeeze from centre to outer by squeegee with clean lint free cloth. See the Detail C.
- 11) Remove the premask from the applied graphic by slowly pulling it off at a 180° angle back against itself, taking care not to lift the graphic from vehicle.

NOTE:

Apply as described pre-installation notes, Install the graphic.

NOTE:

Re-apply detergent/water solution to the surface of graphic and re-squeegee to ensure good adhesion and remove bubbles. Remove any remaining bubbles with a pin.

ACCESSORY CHECK:

- Check all **Critical Installation Steps**.

FINAL INSPECTION:

- Verify interior and exterior is not damaged.
- Place the Owner Manual, Quick Reference Guide, and/or other Manual in the glove box.