



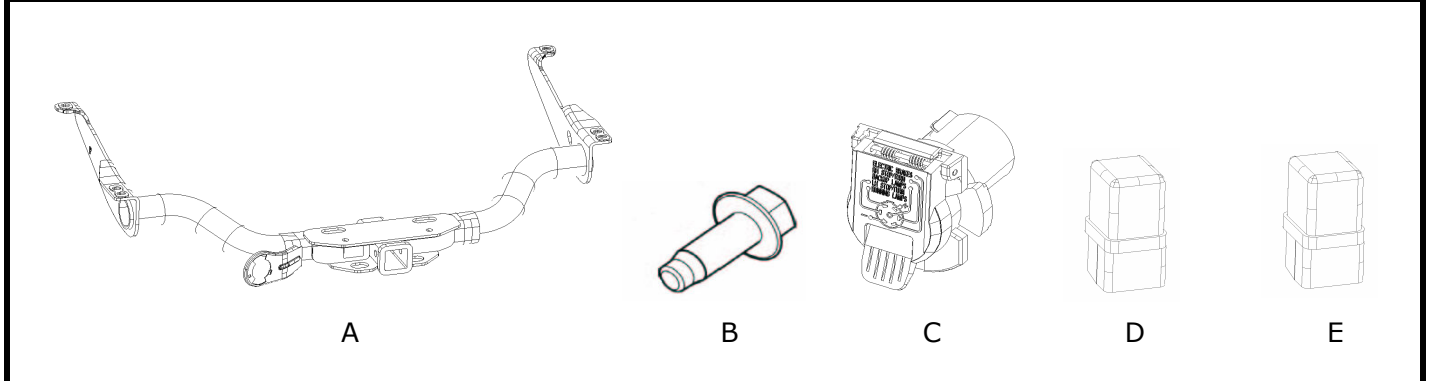
GENUINE PARTS

INSTALLATION INSTRUCTIONS

- 1. DESCRIPTION:** Tow Hitch Receiver
- 2. APPLICATION:** TITAN 2004 MY & ARMADA 2008 MY
- 3. PART NUMBER:** 999T5 2W000 (ARMADA), 999T5 WW300 (TITAN)

4. KIT CONTENTS:

| Item | QTY | Description | Service Part Number |
|------|-----|-----------------------------|---------------------|
| A | 1 | HITCH RECEIVER | |
| B | 6 | M12 HEX BOLT | 81-B7235-2A |
| C | 3 | 7-pin Trailer tow connector | 24340 7S000 |
| D | 3 | Relay, Trailer Tow #1 | 25230 79945 |
| E | 1 | Relay, Trailer Tow #2 | 25230 79964 |



- 5. TOOLS REQUIRED:**
- Safety Glasses
 - Socket
 - Socket Wrench
 - Torque Wrench
-

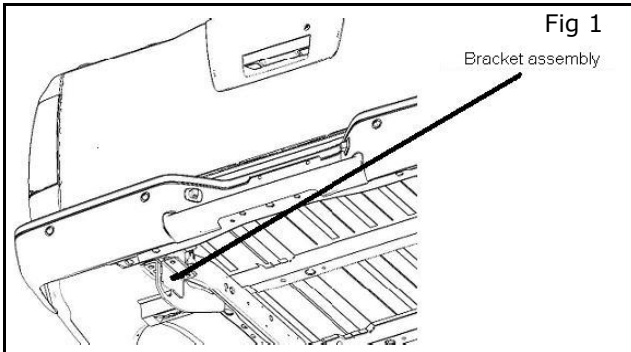
- 6. PRE-INSTALLATION CAUTIONS/NOTES:**
- Dealer Installation Recommended.
 - This product complies with SAE J684
- HITCH CAPACITY**
- | | |
|-----------------------------------|-------------------------------|
| Max. Gross Trailer Weight: | 10,000 lbs. (4,540 kg) |
| Max. Tongue Load: | 1,000 lbs (454 kg) |



- Vehicle towing capacity may differ from hitch rating.
- See owner's manual for vehicle towing capacity.
- Be careful of sharp edges under vehicle.
- Bolts must be tightened according to the specified torque values.
- The Vehicle provides circuits for trailer brakes but does not provide power. Operation of trailer brakes requires harness part # 24167 7S000 & aftermarket Trailer Brake Controller
- A weight-distributing hitch ball mount (Class IV) is recommended if you plan to tow trailers with a maximum weight over 5,000 lbs.

INSTALLATION INSTRUCTIONS - Hitch Kit

7. INSTALLATION PROCEDURE:

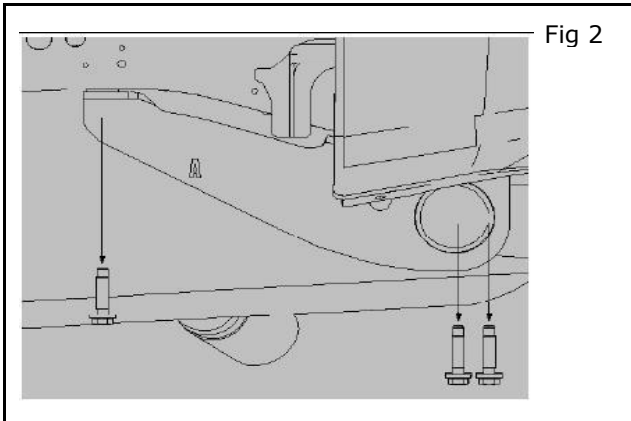


- 1) Raise and Secure Vehicle on Lift.

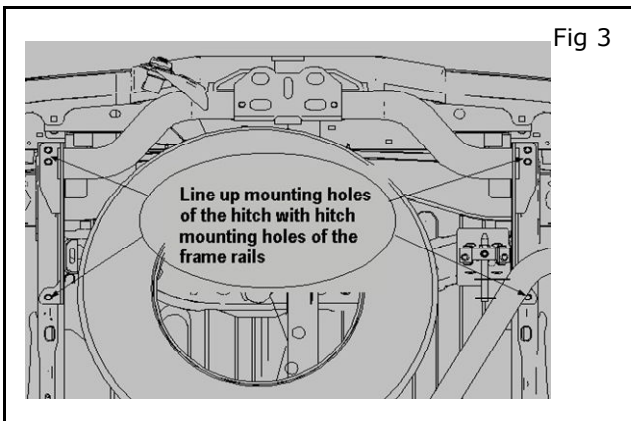
NOTE:

Model Year 2004-2007 Titan, and all Armada skip to step 4

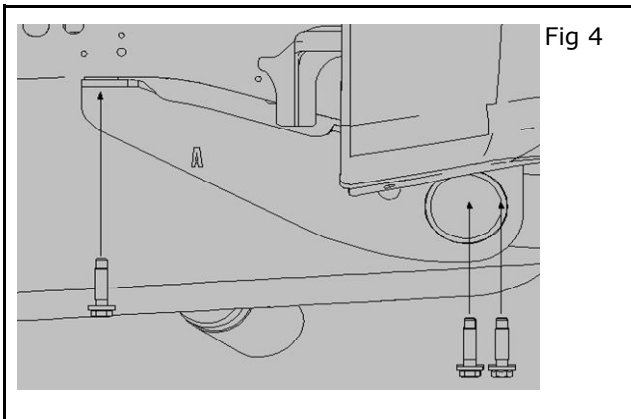
- 2) Locate Bracket Assembly on Frame as shown in Fig 1.



- 3) Remove bolts and bracket assembly from both the left side and right side of frame and discard as shown in Fig 2.



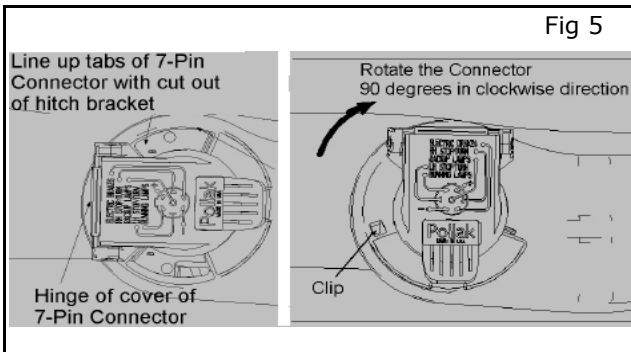
- 4) Align the mounting holes between hitch and frame. Right Hand side bracket should slide between exhaust pipe and frame as shown in Fig 3.



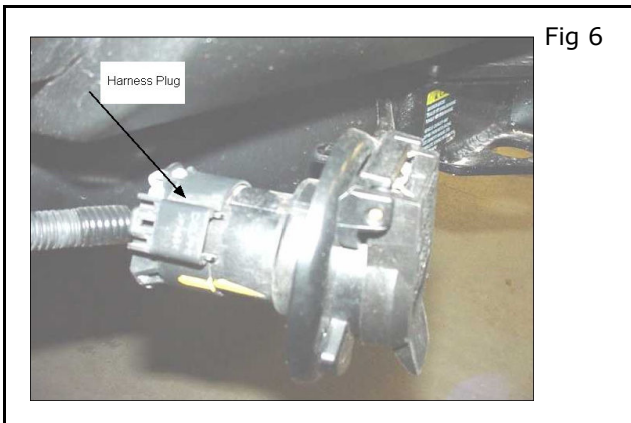
- 5) Install qty(6) M12 bolt and loosely tighten to with socket and ratchet as shown in fig 4.
- 6) After all six bolts are installed, torque the bolts to 101ft-lb/137Nm using the torque wrench.

INSTALLATION INSTRUCTIONS - Hitch Kit

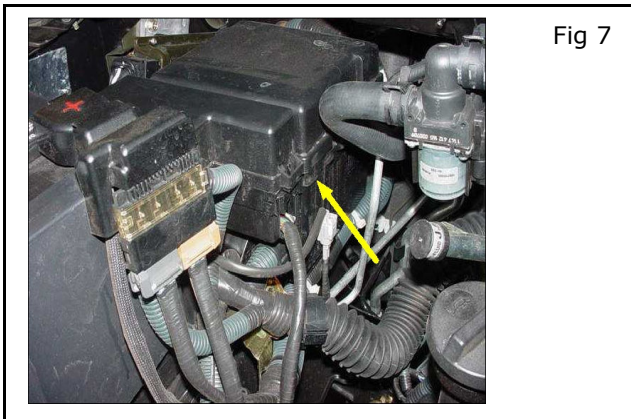
7. INSTALLATION PROCEDURE:



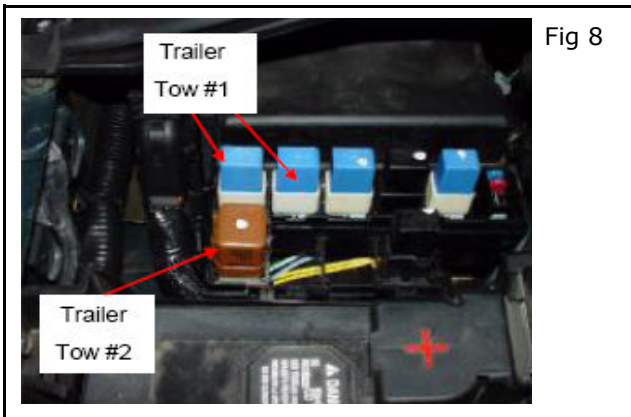
- 7) Install and Rotate 7-PIN connector as shown in Fig 5.



- 8) Plug harness cable into 7-pin connector as shown in figure 6.



- 9) Pull the tab of the relay box cover up and remove the cover of the relay box in the engine compartment as shown in Fig 7.



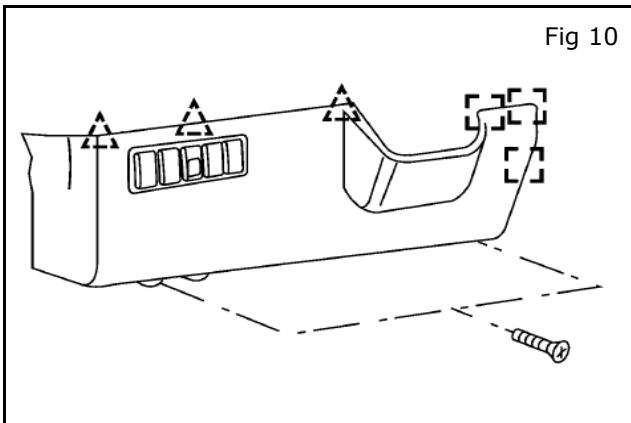
- 10) Insert Relay (Trailer Tow #1) and Relay (Trailer Tow #2) into proper locations in the relay box as shown in Fig 8.
- 11) Re-Install Fuse Panel Cover.

INSTALLATION INSTRUCTIONS - Hitch Kit

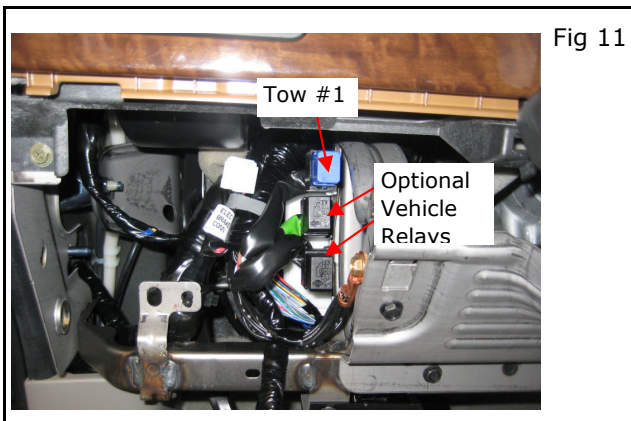
7. INSTALLATION PROCEDURE:



12) Move Drivers seat rearward most position and apply parking brake to gain access to DASH LOWER as shown in Fig 9.



13) Remove DASH LOWER as shown in Fig 10.



14) Insert Relay (Trailer Tow #1) into proper location as shown in Fig 11.

NOTE:

If this Relay already exists, no need to replace.

NOTE:

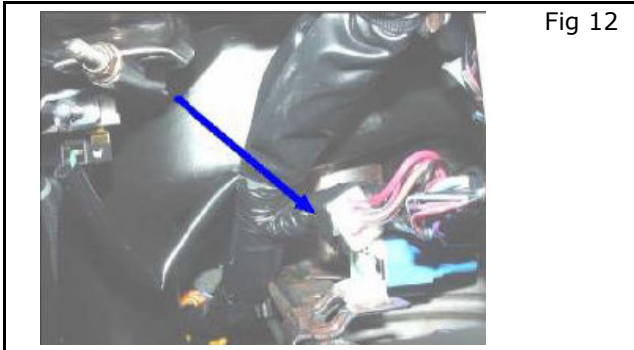
For Installation of Electronic Brake Controller Harness [24167 7S000] please follow steps 15. Otherwise please skip to step 16.

⚠ WARNING

- Only install this jumper harness if you are installing trailer brake controller at the same time. Trailer brake controllers are not available through Nissan and must be purchased separately. Before connecting the jumper to the vehicle, wire the jumper to the brake controller using the instructions provided with the controller, and the information in the table below.

INSTALLATION INSTRUCTIONS - Hitch Kit

7. INSTALLATION PROCEDURE:



- 15) In same area of vehicle as relay in step 14 locate taped connector as shown in Fig 12. Remove tape and attach Jumper Harness.

NOTE:

Wire color designation for Electric Brake Jumper is as follows:

| WIRE COLOR | NOTE |
|---------------|--|
| RED / GREEN | Vehicle Stop Lamp Switch to Trailer Brake Controller |
| BLACK | Brake Controller Ground (-) |
| BROWN / WHITE | Trailer Brake Controller Switched Output |
| RED / BLUE | Trailer Brake Controller Illumination |
| RED | Fused Trailer Brake Controller Battery Feed (B+) |

- 16) Re-Install DASH LOWER and dis-engage parking brake.

WARNING

- Check the following lamps to ensure they operate properly on both the vehicle and trailer.
 - Headlamps/Parking Lamps
 - LH/RH Turn Signals
 - Hazard
 - Reverse Lamps
 - Brake Lamps