



GENUINE PARTS

INSTALLATION INSTRUCTIONS

DESCRIPTION: Side Window Deflector

APPLICATION: MURANO (2009)

PART NUMBER: H0800 1AA00

KIT CONTENTS:

| Item | Qty. | Part Description |
|------|------|---|
| A | 1 | Side Window Deflector - Front Right |
| B | 1 | Side Window Deflector - Front Left |
| C | 1 | Side Window Deflector - Rear Right |
| D | 1 | Side Window Deflector - Rear Left |
| E | 8 | Bracket |
| F | 1 | Installation Instruction Replacement Template |



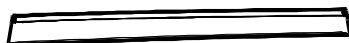
A



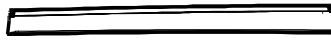
B



E



C



D



F

TOOLS REQUIRED:

- 90% or greater alcohol solution
- Masking tape
- Clean, lint-free wiping cloth
- Tape measure or scale

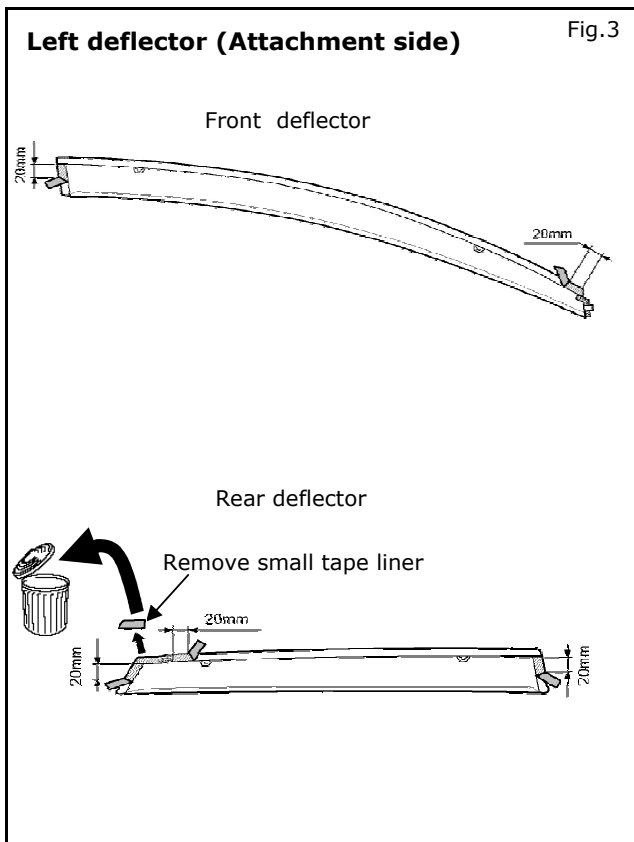
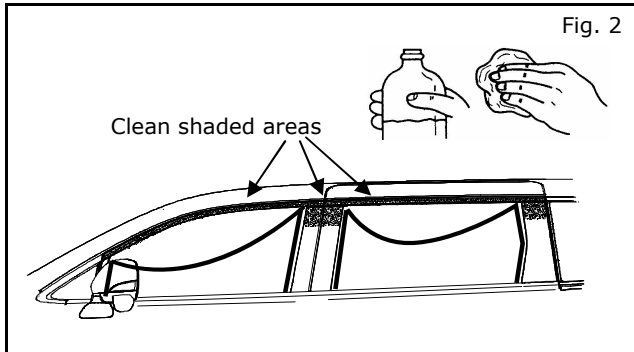
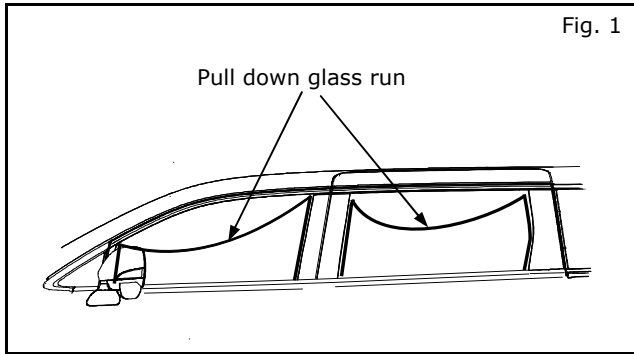
PRE-INSTALLATION WARNINGS, CAUTIONS, CRITICAL STEPS, and NOTES:

- Dealer Installation Recommended. Instructions may refer to Service Manual.
- These instructions are for left side of vehicle; same procedure applies to right side.

CAUTION

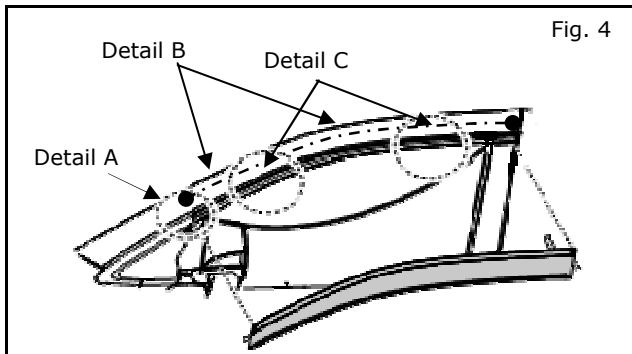
- Install the Side Window Deflector when the ambient temperature is above 60°F (15°C).
- Do not wash or expose the vehicle to a wet environment for 24 hours after installing the Side Window Deflector.

INSTALLATION PROCEDURE:

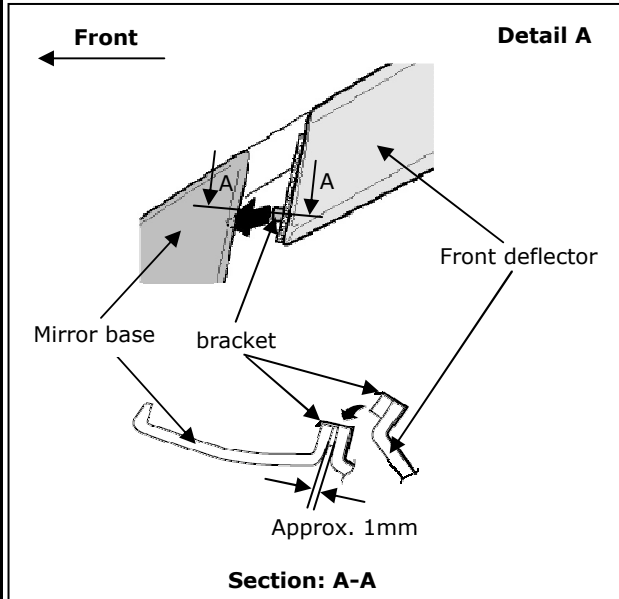


- 1) Lower windows completely.
- 2) Pull down upper portion of glass run.
- 3) Using a clean, lint-free wiping cloth and $\geq 90\%$ alcohol, wipe any dirt and oil from the installation surface. Let area dry thoroughly.
- 4) Peel back 20~30 mm of tape liner from one end of each piece of double sided tape on front and rear deflector.
- 5) Fold tape liners onto deflector front surface and secure with masking tape.

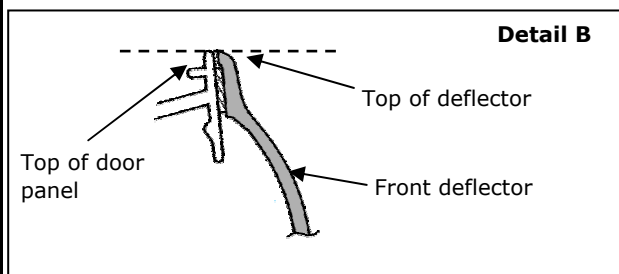
INSTALLATION PROCEDURE:



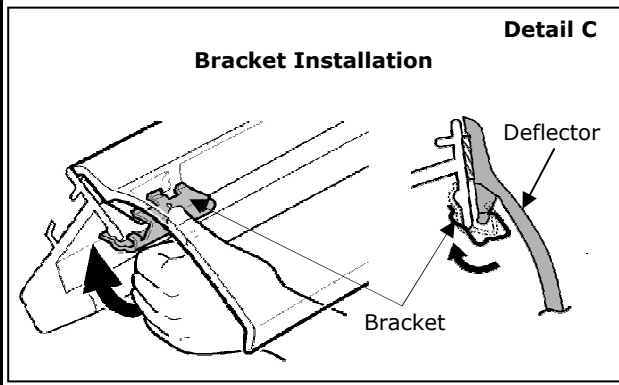
6) Install front deflector.



a) Attach bracket to vehicle's mirror base (see Detail A).



b) Align top of deflector front end to top of vehicle's door panel (see Detail B). Tack deflector in place and repeat for deflector rear end.



c) Install 2 brackets (see Detail C).

INSTALLATION PROCEDURE:

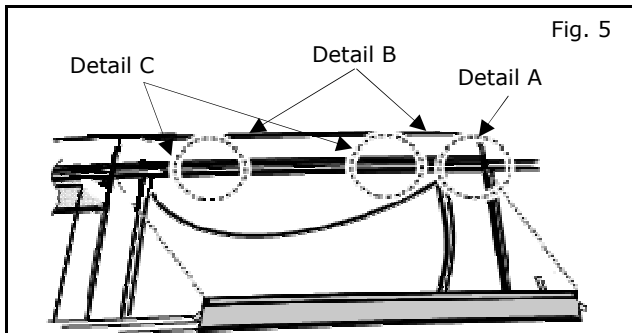
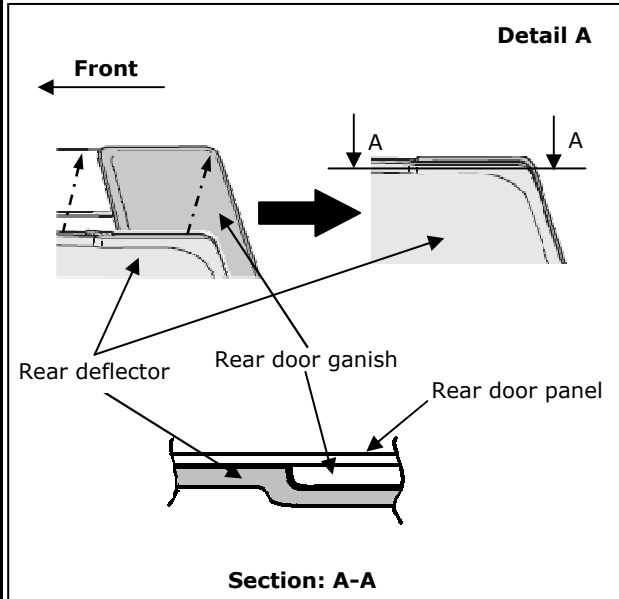


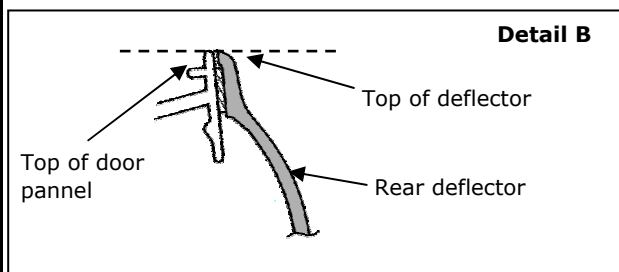
Fig. 5

7) Install rear deflector.



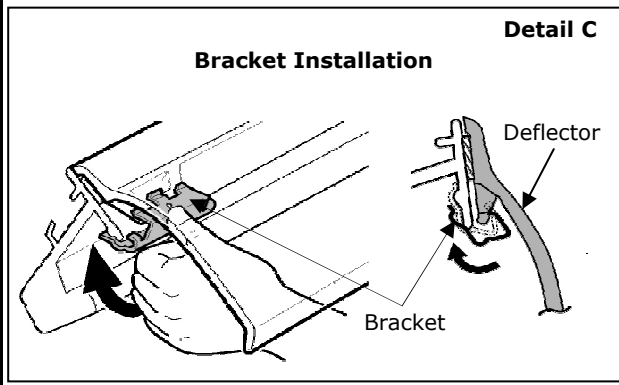
Detail A

a) Align deflector rear end to door ganish step, align top of deflector rear end to top of vehicle's door panel (see Detail B) and tack deflector in place (see Detail A).



Detail B

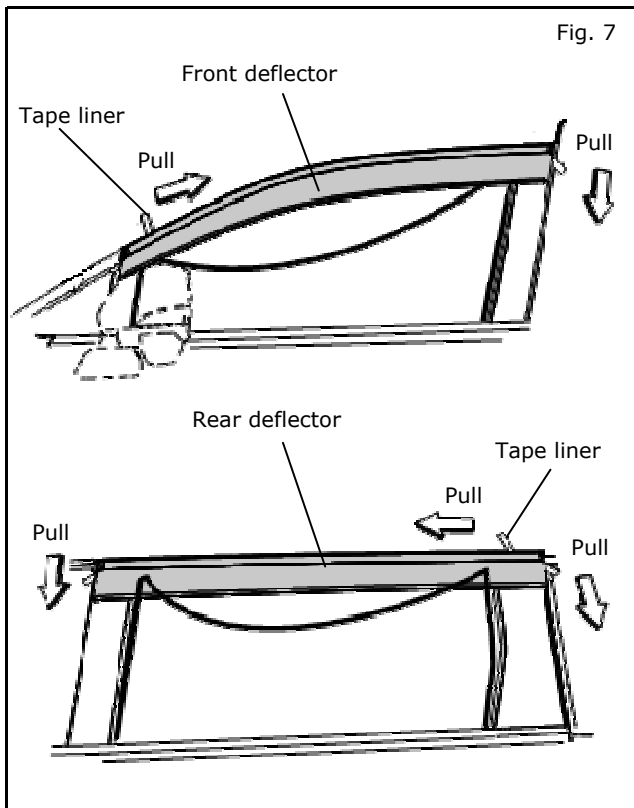
b) Align top of deflector front end to top of vehicle's door panel (see Detail B) and tack deflector in place.



Detail C

c) Install 2 brackets (see Detail C).

INSTALLATION PROCEDURE:



- 8) Remove tape liners and apply at least 15lbs. of pressure to front and rear deflectors at tape areas to ensure proper adhesion.

NOTE:

Remove tape liners slowly and carefully. If you remove vigorously, tape liners may break.

- 10) Re-install glass runs. Refer to vehicle service manual for more details if necessary.

- 11) Repeat all steps for right side.

FINAL INSPECTION:

- Open and close window to confirm that windows are functioning properly.
- Verify exterior is not damaged.