



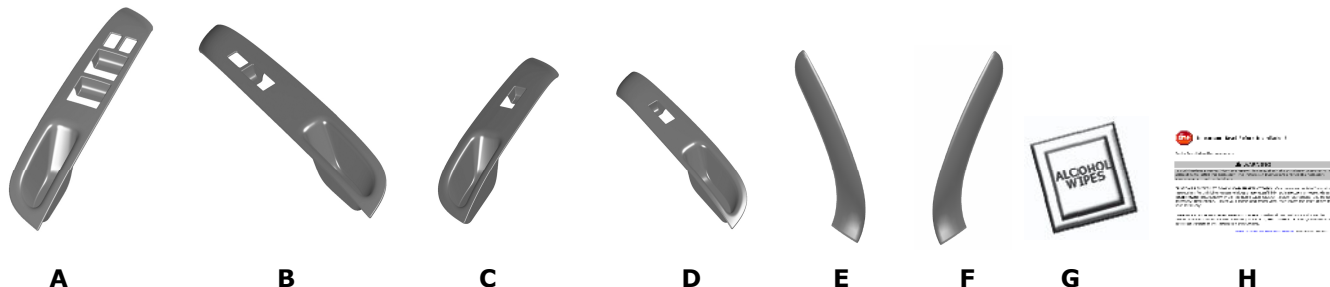
## GENUINE PARTS

### INSTALLATION INSTRUCTIONS

**DESCRIPTION:** Interior Appliqué  
**APPLICATION:** Nissan Versa Sedan  
**PART NUMBER:** 999G3 4Y000, 999G3 4Y001, 999G3 42000, 999G3 42001

#### KIT CONTENTS:

Item	Qty.	Description
A	1	Door Switch Finisher - FR LH
B	1	Door Switch Finisher - FR RH
C	1	Door Switch Finisher - RR LH
D	1	Door Switch Finisher - RR RH
E	1	Cluster Finisher - LH
F	1	Cluster Finisher - RH
G	5	Alcohol wipe
H	1	Instruction Replacement Template



#### TOOLS REQUIRED:

- None.

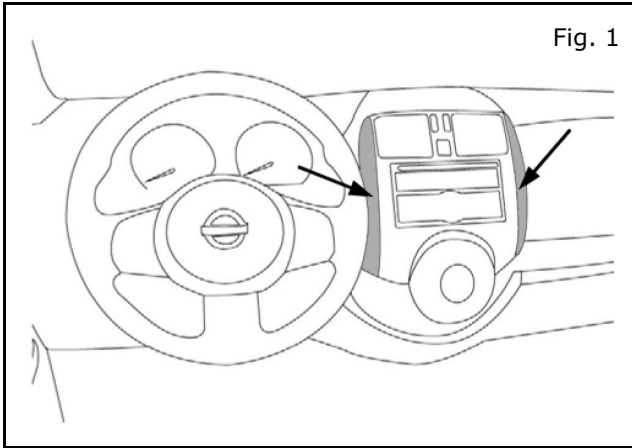
#### PRE-INSTALLATION WARNINGS, CAUTIONS, CRITICAL STEPS, and NOTES:

- Read the installation sheet and check the entire kit for possible damage or defects before performing any work.
- Always dry fit parts before removing the adhesive liners to ensure proper fit, alignment, and component location. Kit contents are labeled to indicate proper location.

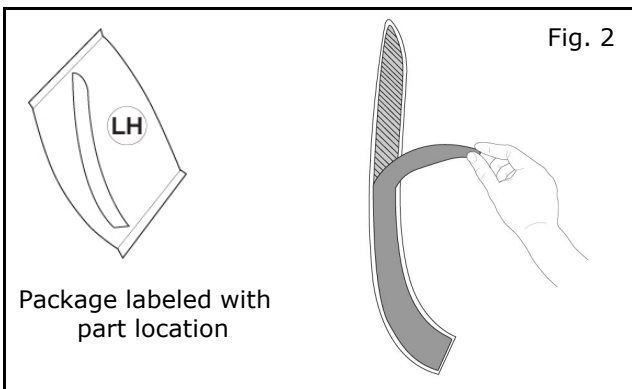
### CAUTION

- Do not touch the tape side with your fingers to avoid contaminating the tape and reducing adhesion strength.
- These parts are to be installed when the ambient temperature is between 60°F - 80°F, (16°C - 26 °C).
- Do not wash or expose the vehicle to a wet environment for 24 hours after installing the Center Console Appliqué.
- The tape will set in 15-20 seconds after the installation.
- Do not reposition the appliqués once the tape has started to set/adhere to vehicle.

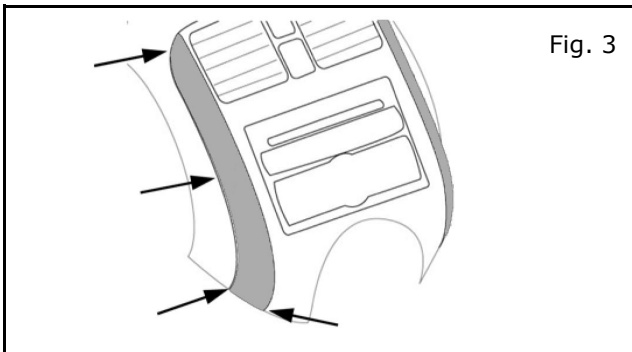
## INSTALLATION PROCEDURE:



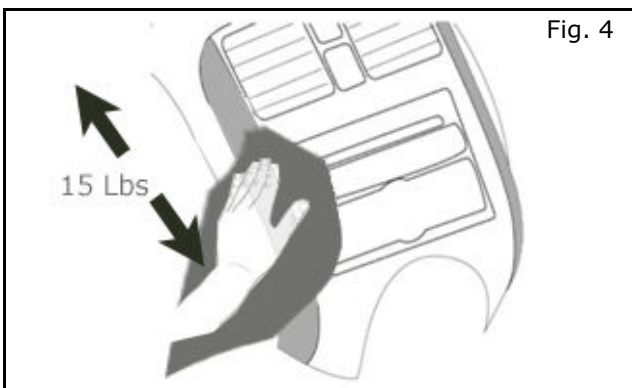
- 1) Use an alcohol wipe to clean the indicated areas on the vehicle where the cluster finishers (LH and RH) are to adhere.  
(Fig. 1)



- 2) Locate left side cluster on vehicle and cluster finisher - LH from the kit.  
(Fig. 2)
- 3) Dry fit part before removing the adhesive liner to establish correct part orientation.
- 4) Remove adhesive liner from back of cluster finisher - LH.  
(Fig. 2)

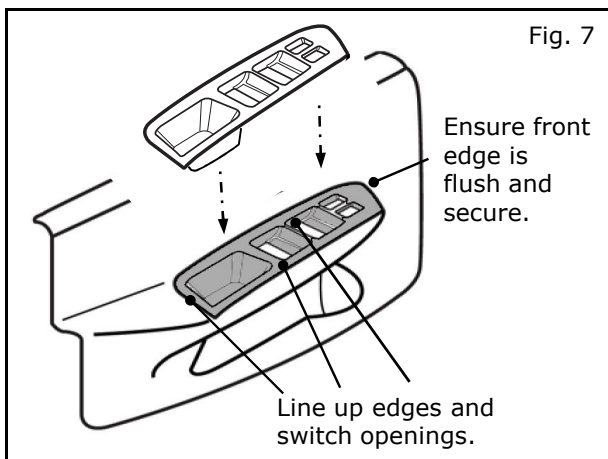
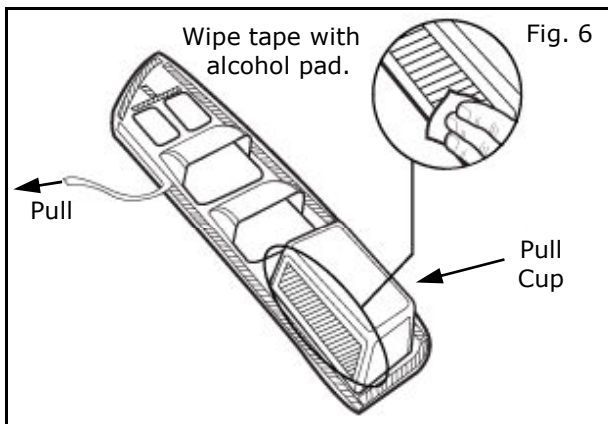
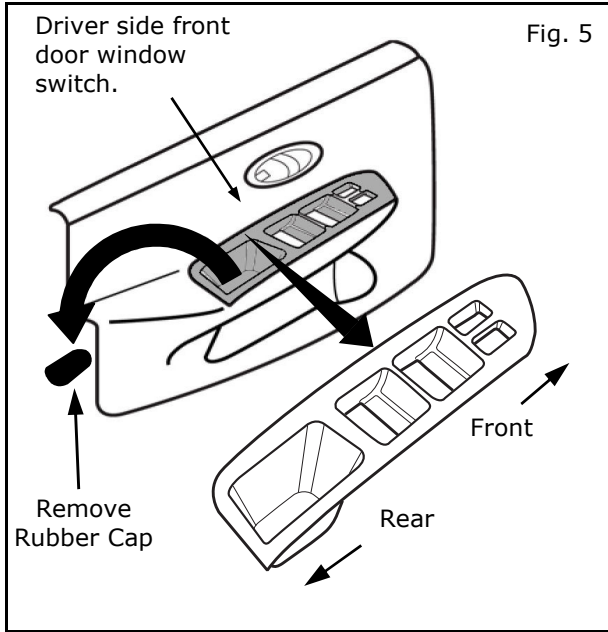


- 5) Carefully and lightly place part in position by aligning cluster finisher - LH edge with dash edge surrounding cluster of the vehicle.  
(Fig. 3)



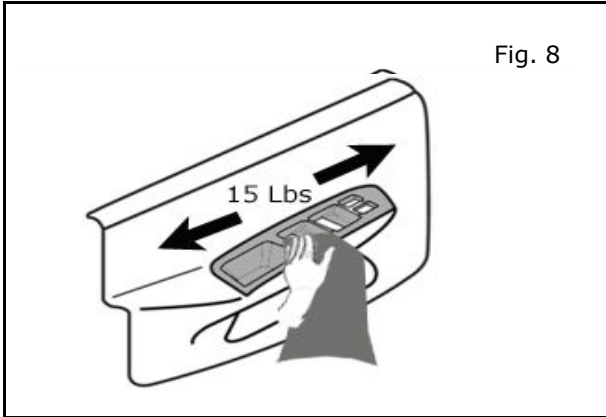
- 6) Once cluster finisher - LH is adjusted to the correct position, use clean towel and apply minimum 15lbs of pressure over entire surface, for at least 30 seconds.  
(Fig. 4)
- 7) Repeat steps 2) through 6) for cluster finisher - RH.

## INSTALLATION PROCEDURE:



- 8) Before you start, remove and discard the rubber cap if available. Locate driver side front window switch on vehicle and door switch finisher - FR LH from the kit. (Fig. 5)
- 9) Dry fit part before removing the adhesive liner to establish correct part orientation.
- 10) Remove all adhesive liners from back of the door switch finisher - FR LH. (Fig. 6)
- 11) Use an alcohol wipe to clean the area of the vehicle where this appliqué is to adhere.
- 12) While using a new section of the alcohol wipe, wipe exposed tape on the pull cup to assist ease of installation. (Fig.6)
- 13) Carefully and lightly place part in position by dropping it straight down without bending or twisting. Once in place, make sure all switches operate correctly with no obstructions. (Fig. 7)

**INSTALLATION PROCEDURE:**



- 14) Once door switch finisher - FR LH is adjusted to the correct position, use clean towel and apply minimum 15lbs of pressure over entire surface, for at least 30 seconds.  
(Fig. 8)
- 15) Repeat steps 8 to 14 for remaining door switch finishers.

**FINAL INSPECTION:**

- Verify vehicle parts are not soiled.
- Verify interior is not damaged.
- Confirm all window and door lock control mechanisms work properly.