



## GENUINE PARTS

### INSTALLATION INSTRUCTIONS

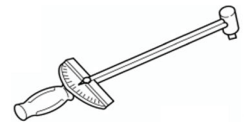
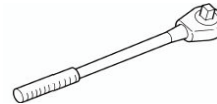
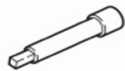
**DESCRIPTION:** Tow Hook Kit  
**APPLICATION:** NV Cargo & Passenger(11MY)  
**PART NUMBER:** 999T3 HW010

#### KIT CONTENTS:

Item	Qty.	Part Description	Service Part Number
A	1	HOOK ASSY-FR TOWING,RH	51110 1PA0A
B	1	HOOK ASSY-FR TOWING,LH	51111 1PA0A
C	4	BOLT-FLG,HEX PP TYPE 2 9T	81-B7245-2A
D	1	Installation Instruction Replacement Template	

#### TOOLS REQUIRED:

- Safety Glasses
- 4" Extension
- 17mm Socket
- Socket Wrench
- Torque Wrench



#### PRE-INSTALLATION WARNINGS, CAUTIONS, CRITICAL STEPS, and NOTES:

- Dealer Installation Recommended. Instructions may refer to Service Manual.



### CAUTION

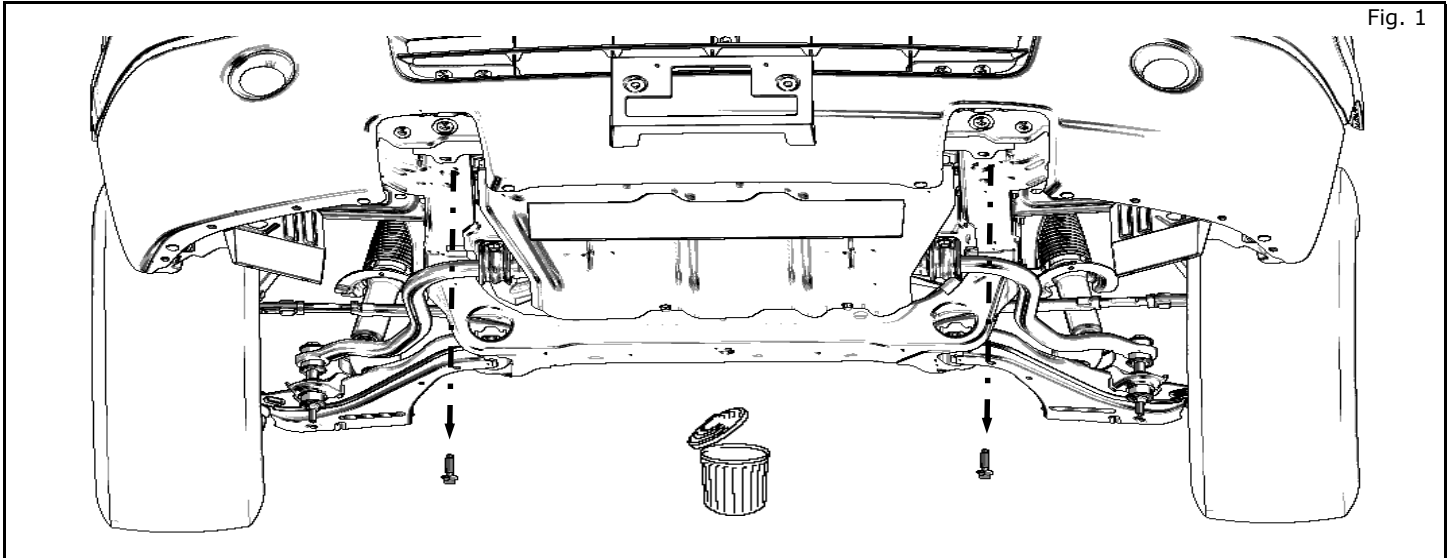
- Be careful of sharp edges under vehicle.
- Bolts must be tightened according to the specified torque values.

## INSTALLATION PROCEDURE:

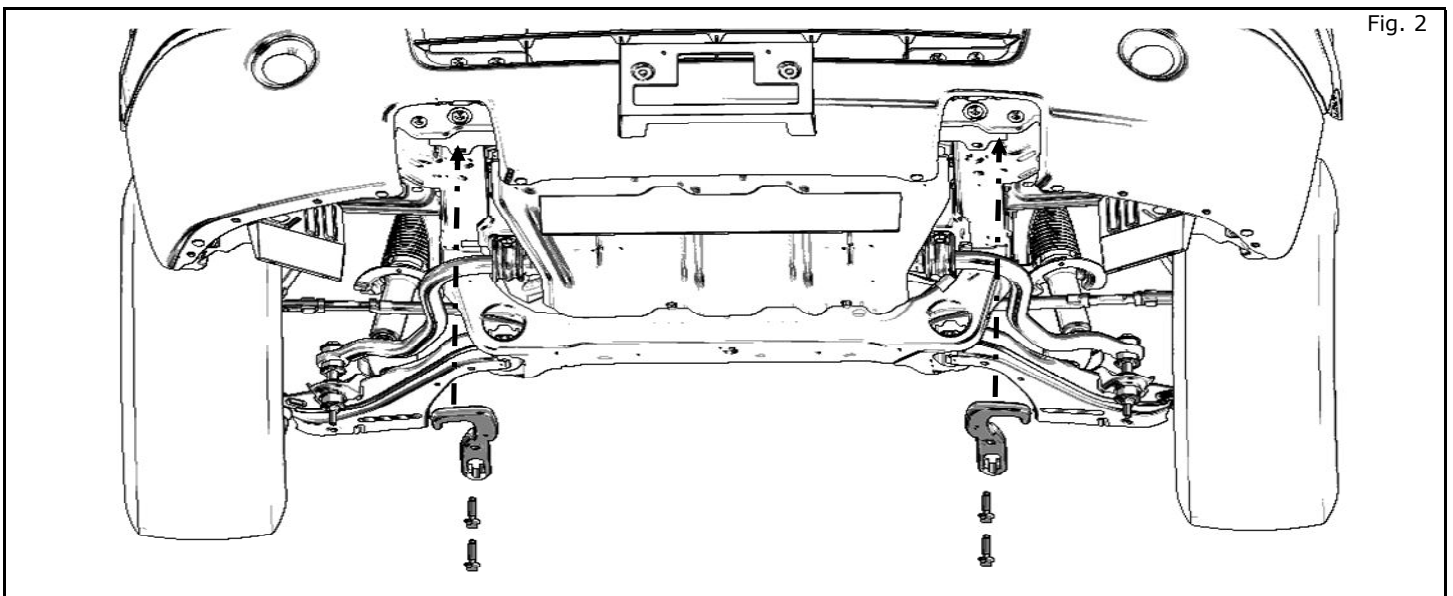
- 1) Raise and Secure Vehicle on lift

### CAUTION

- Ensure that Doors & Hood are closed
- Engine & Exhaust may still be hot
- Be careful of Roof Height when raising on Lift



- 2) Remove Bolt (2 places) and discard



- 3) Install Tow Hook (2 places)
- 4) Tighten Fasteners to 110-150N\*m [ 81-110 ft\*lb] (4 Places)
- 5) Lower Vehicle from lift