

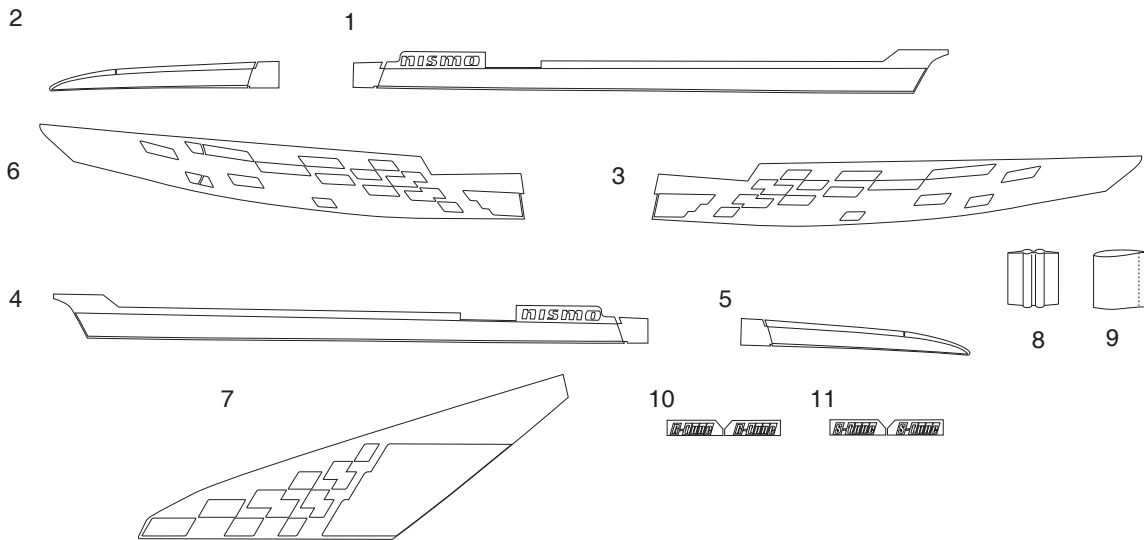
nismo

GENUINE PARTS

INSTALLATION INSTRUCTIONS

1. DESCRIPTIONS: NISMO GRAPHIC KIT
2. APPLICATION: 370Z 2009
3. PART NUMBER: 76820-RNZ40BK / 76820-RNZ40WT
4. KIT CONTENTS:

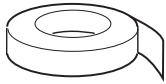
Item No	Qty	Description
1	1	Left Side Door 3-Color Stripe w/ logos
2	1	Left Side Front Fender 3-Color Stripe
3	1	Left Side Rear Fender 3-Color Stripe
4	1	Right Side Door 3-Color Stripe w/ logos
5	1	Right Side Front Fender 3-Color Stripe
6	1	Right Side Rear Fender 3-Color Stripe
7	1	3-Color Hood Graphic
8	1	3M PA-1 Blue Squeegee
9	1	3M SA-1 Squeegee Sleeve
10	1	Right and Left R-tune Logos
11	2	Right and Left S-tune Logos



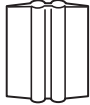
INSTALLATION INSTRUCTIONS - NISMO GRAPHIC KIT

5. TOOLS REQUIRED

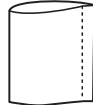
Masking Tape



Squeegee



Squeegee Sleeve



Clean, Lint Free Cloth



Isopropyl Alcohol



Detergent / Water

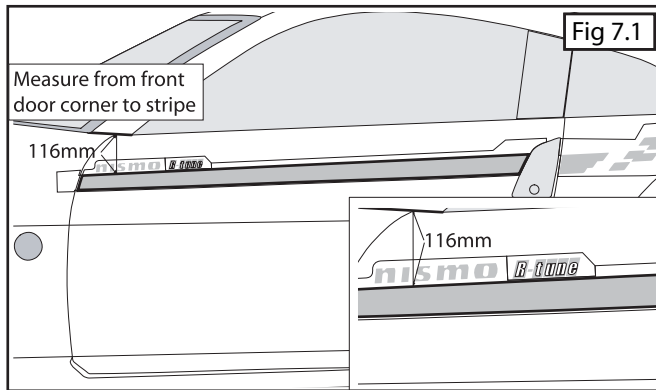


6. INSTALLATION NOTES AND PRECAUTIONS:

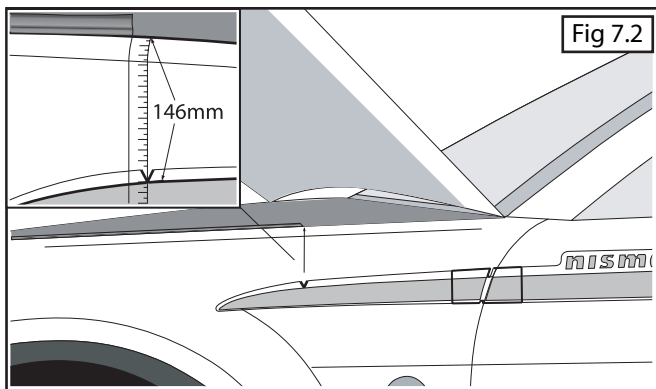
- 1) Installation requires an experienced/professional, graphics installer.
- 2) After opening the kit, check all parts.
- 3) This product should be installed with the proper installation tools.
- 4) Install this kit while observing all warnings and precautions stated in these instructions.
- 5) VERY IMPORTANT. Begin with a thoroughly washed (clean) vehicle.
- 6) Vehicle body surface and graphics must be at a minimum of 70 ° F for proper installation. With a clean lint-free cloth, wipe the paint surface with isopropyl alcohol (safe on paint) just prior to the application of the graphics. Wipe with a dry, lint-free cloth. Change cloths frequently to eliminate build up of contaminants.
- 7) To ensure a bubble-free application, use two tiny drops of liquid "Joy" brand detergent into a trigger type plastic spray bottle. Fill the bottle with water. Set the nozzle to fine mist. Thoroughly saturate the paint surface where the graphic is to be applied, with the detergent/water solution. Take extra care in extreme heat not to allow the detergent/water solution to dry before graphics are to be applied.
- 8) Slowly remove the heavy white liner from the adhesive side of graphic. The best way to remove the liner is to lay the graphic face down on a table and remove. If a table is not available, keep the graphic as flat as possible and remove the liner by supporting the front of the graphic against a leg, body or vehicle. Be careful not to contaminate the adhesive of the graphic. Spray the adhesive side of the graphic with the detergent/water solution.
- 9) Position the graphic in the correct vehicle location. Do not smooth it down with your hands! Thoroughly squeegee the entire surface of the graphic with firm, overlapping squeegee strokes.
- 10) Remove the premask from the applied graphic by slowly pulling it off at a 180 ° angle back against itself, taking care not to lift the graphic from vehicle.
- 11) If the graphic tends to lift off of the vehicle while premask is being removed, the cause is:
 - 1) Too much detergent in the spray bottle. (Rinse it out and use less detergent.)
 - 2) Not enough pressure on the film surface from the squeegee. Increase the pressure and ensure overlapping squeegee strokes.
- 12) Re-apply detergent/water solution to the surface of graphic and re-squeegee to ensure good adhesion and remove bubbles. Remove any remaining bubbles with a pin.
- 13) Maintain a vehicle body temperature of 70 ° F or higher for a minimum of 30 minutes after graphic installation.
- 14) It is recommended that masking tape be used periodically along the premask to indicate the positioning of the graphics during application.

INSTALLATION INSTRUCTIONS (Continued)

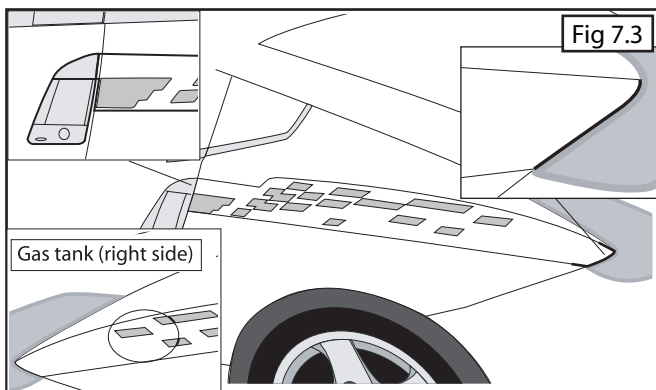
7. INSTALLATION PROCEDURE (PART LOCATING):



- 1) Position the Door Stripe (Item 1) on the drivers side of the vehicle, locate the hook shape of the premask to the door handle and the notches in the front to the fender/door gap. Leave the premask on the part to allow alignment of the front fender stripe. (Fig 7.1)
- 2) Insert S-tune or R-tune decal (inset figure). Apply tape to hold into place until step 5.

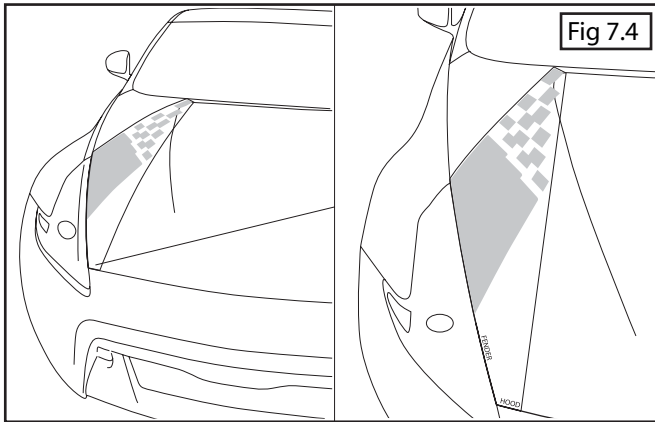


- 3) Position the Front Fender Stripe (Item 2) on the vehicle, locate the extension of premask to the Door Stripe. The bottom point of the carat should measure 146mm to the top edge of the fender with the hood up at the seal, creating a straight line on the bottom of the Door Stripe and Front Fender Stripe. (Fig 7.2)



- 4) Position the Rear Fender Stripe (Item 3) on the vehicle, locate the extension of the premask to the top of the Door Handle, the rear extension to the shape of the rear light leaving the point in the center of the curve. (Fig 7.3)
The right side will be pre-cut and should line up to the edge of the gas door area (inset figure).

INSTALLATION INSTRUCTIONS (Continued)



- 5) Position Hood Graphic (Item 7) into position as shown aligning to the passenger headlight edge along the hood to the front edge of the hood.
- 6) Repeat steps 7.1 through 7.4 for the passenger side. Apply the graphics as described in section 6 (Installation Notes and Precautions).