



GENUINE PARTS

INSTALLATION INSTRUCTIONS

DESCRIPTION: Rear Bumper Protector Kit

APPLICATION: LEAF

PART NUMBER: 999T6 8X000

KIT CONTENTS:

Item	Qty.	Part Description	Service Part Number
A	1	Rear Bumper Protector	---

TOOLS REQUIRED:

- Clean, Lint-Free Wiping Cloth
- 90%+ Isopropyl Alcohol
- Scale
- Masking Tape

PRE-INSTALLATION WARNINGS, CAUTIONS, CRITICAL STEPS, and NOTES:

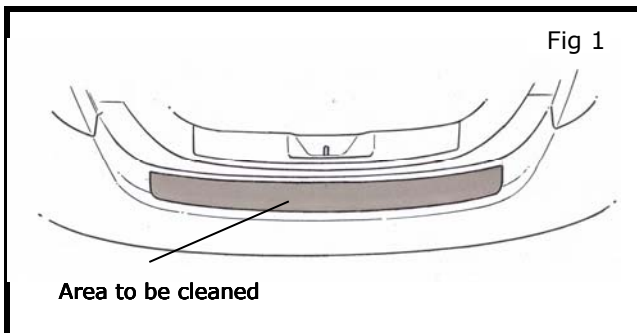
- Dealer Installation Recommended. Instructions may refer to Service Manual.

 **CAUTION**

- Install the rear bumper protector when the ambient temperature is above 60°F (15°C).
- Do not wash or expose the vehicle to a wet environment for 24 hours after installing the rear bumper protector.

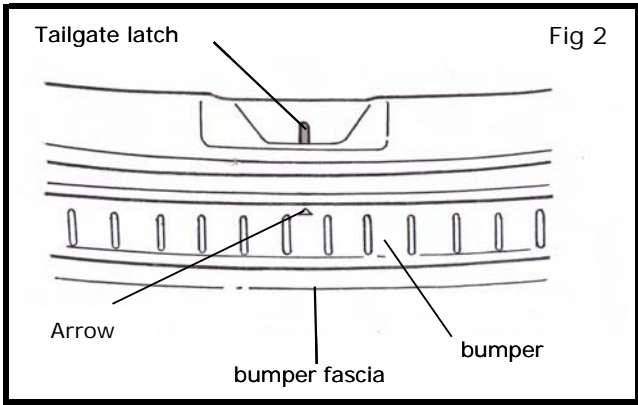
INSTALLATION PROCEDURE:

- 1) Clean upper portion of rear bumper thoroughly with soap and water to remove any dirt or debris and allow to dry.
- 2) Rear bumper protector installation prep.
 - a) Open rear hatch.
 - b) Using a clean lint-free cloth and isopropyl alcohol to clean the area of rear bumper where part will be installed.
 - c) Allow time to dry thoroughly.

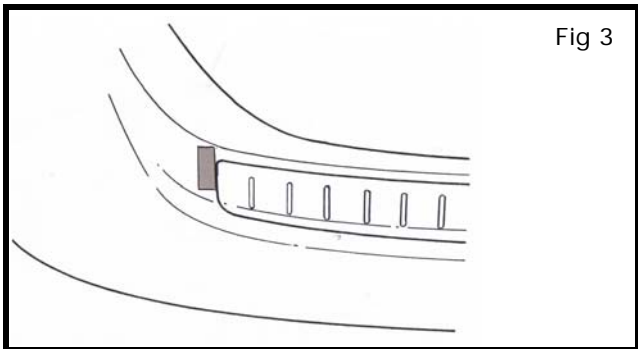


 **CAUTION**

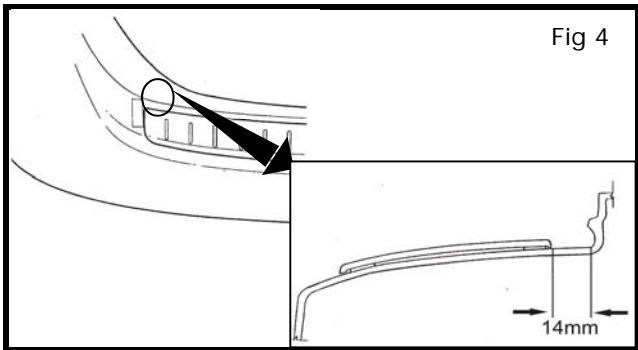
Failure to clean the mounting surface properly may cause the adhesive tape to have poor adhesion to the vehicle.



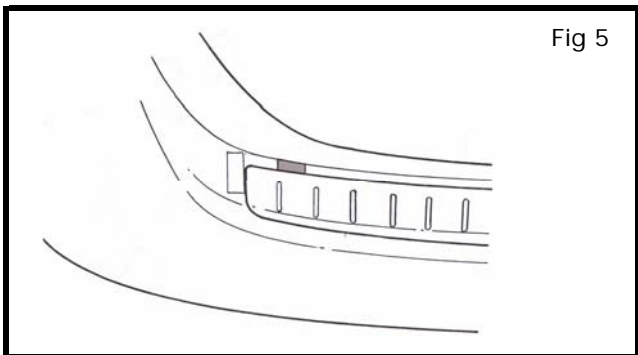
- 3) Dry fit the bumper protector on the vehicle. Align the bumper protector centering arrow with the tailgate latch.



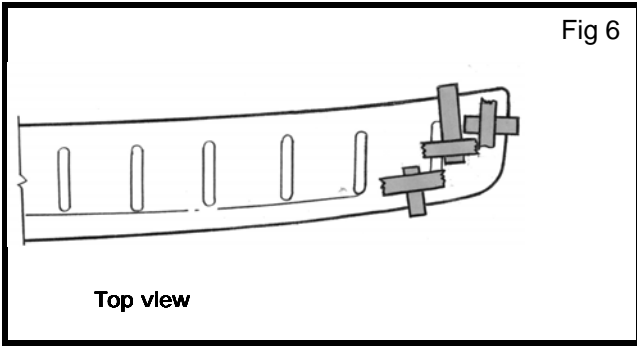
- 4) Apply tape at right and left edges of part.



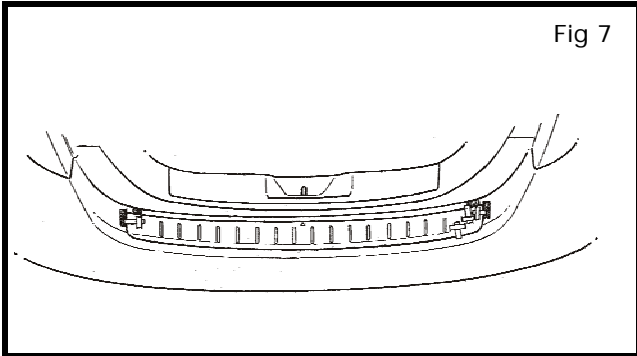
- 5) Measure the distance from the corner radius of the rear bumper fascia to the edge of the bumper protector (14mm).



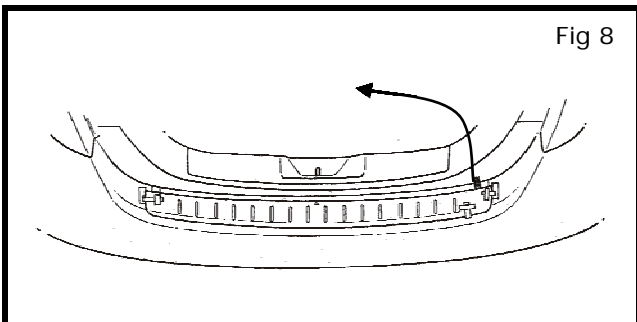
- 6) Confirm bumper protector location on vehicle. Mark location with pieces of tape.



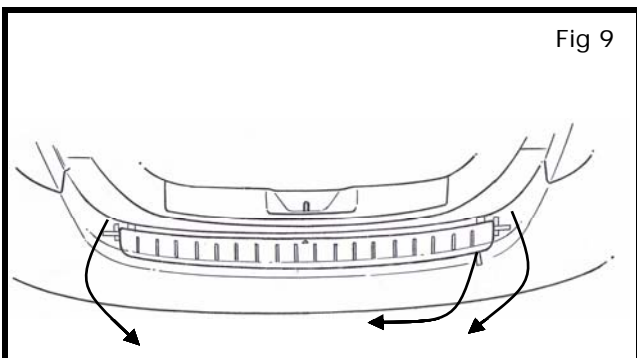
- 7) Remove part from vehicle. Fold the clear tabs over the edge of the part and secure to the top surface with masking tape.



- 8) Place part back on vehicle and align it to all masking tape edges.



- 9) While holding part in position with one hand, carefully pull the clear tab to remove the rear liner completely.
- 10) Using a clean lint-free cloth, start at the center and apply 15 lbs of pressure along the tape path.
- 11) Remove masking tape from all tabs on top of part.



- 12) Carefully pull the clear tabs to completely remove the remaining liners.
- 13) Using a clean lint-free cloth, start at the center and apply 15 lbs of pressure along the tape path.
- 14) To ensure adequate attachment, re-apply 15 lbs of pressure across the entire part.
- 15) Close rear hatch.
- 16) Do not expose vehicle to moisture for 24 hours.