



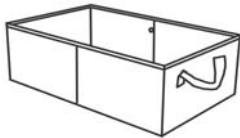
GENUINE PARTS

INSTALLATION INSTRUCTIONS

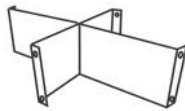
DESCRIPTION: Cargo Organizer - Tote
APPLICATION: Nissan Quest
PART NUMBER: Cargo Organizer 999C2 4X000

KIT CONTENTS:

Item	Qty.	Part Description	Service Part Number
A	1	Cargo Organizer -Tote	999C2 4X000
B	1	Cargo Organizer - Divider	999C2 4X000
C	2	Cargo Organizer - Tiedown Strap	999C2 4X001



A



B



C

TOOLS REQUIRED:

- None

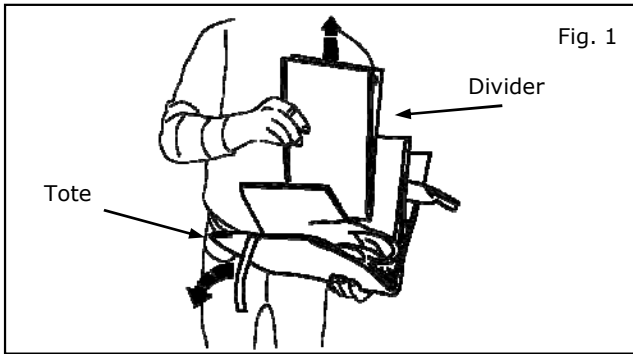
PRE-INSTALLATION WARNINGS, CAUTIONS, CRITICAL STEPS, and NOTES:

- Do not use tote for large, heavy or unsafe objects. Such items may be thrown about during heavy braking or an accident.
- Do not lift excessive loads with this tote.
- Do not stack anything higher than seatbacks.
- Do not use tote as a safety restraint.
- Always exercise common sense when lifting.

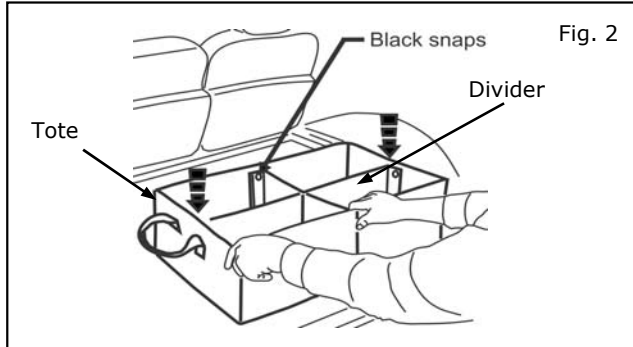
WARNING

- Prior to completion, verify elastic loops of tiedown straps are securely fastened to cargo area hooks.

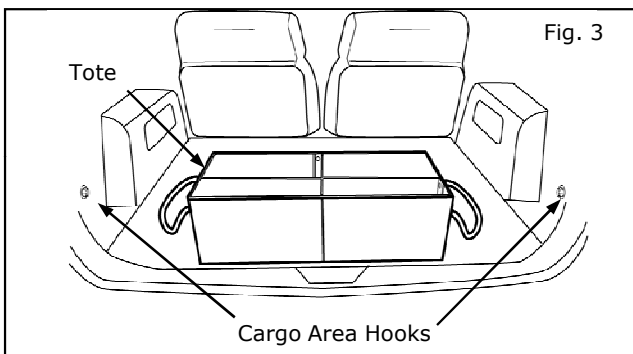
INSTALLATION PROCEDURE:



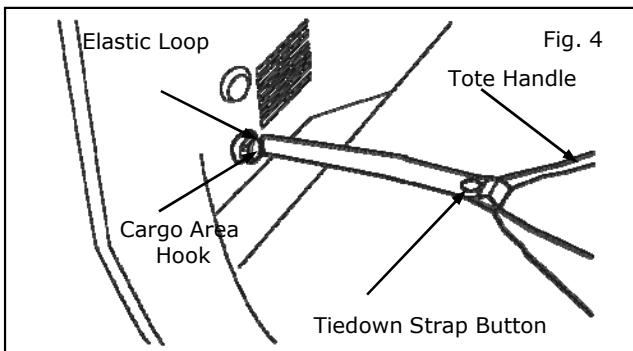
- 1) Remove tote from bag and unfasten Velcro® closure strap.
- 2) Remove divider.



- 3) Unfold the tote and place it in vehicle's cargo area.
- 4) Place divider inside the tote with the binding (sewn edge) down align the black snaps.
- 5) Snap divider to tote.



- 6) Position tote in the rear cargo area between the cargo area hooks



- 7) Loop the tiedown strap end with buttons around tote handle and snap closed.
- 8) Secure elastic loop end of tiedown strap around cargo area hooks.