

GENUINE PARTS

INSTALLATION INSTRUCTIONS

1. DESCRIPTION: Rear Splash Guards (Utility Bed Left Hand)

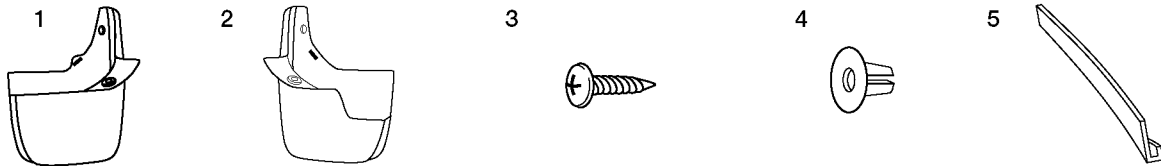
2. APPLICATION: Titan

3. PART NUMBERS: 999J2-WQ000U4

4. KIT CONTENTS:

<u>Item</u>	<u>Qty.</u>	<u>Part Number</u>	<u>Description</u>
1	1	93820 8S710	Splash Guard Rear (Right)
2	1	93821 8S705	Splash Guard Rear (Left)
3	4	14-51 00841	Screw -Tapping
4	4	12-81 00831	Plastic Grommet
5	1	93738 8S705	Protector - Panel Edge
6	1		Cleaning Cloth
7	1		Installation Instructions - Utility Bed
8	1		Installation Instructions - Standard Bed

Note: These instructions apply to the left hand rear splash guard. For right hand rear splash guard, see attached instructions for Rear Splash Guard (Standard Bed).



5. TOOLS REQUIRED:

#2 90° Phillips Screwdriver • Rag

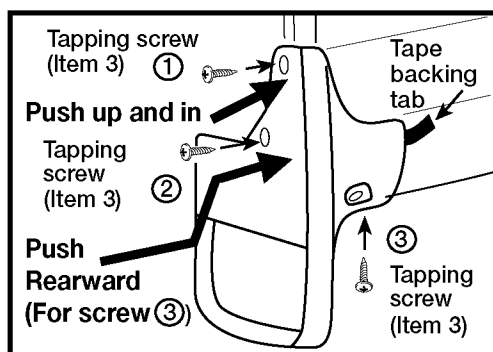
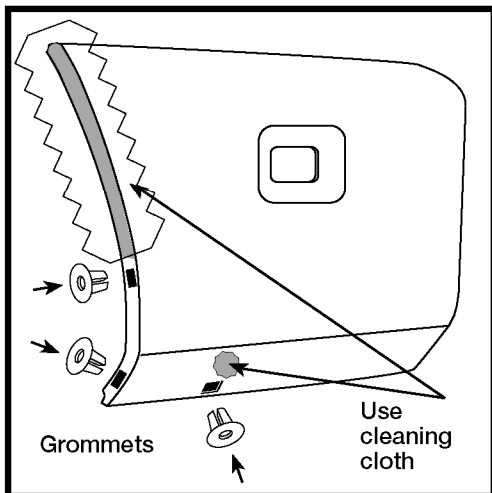
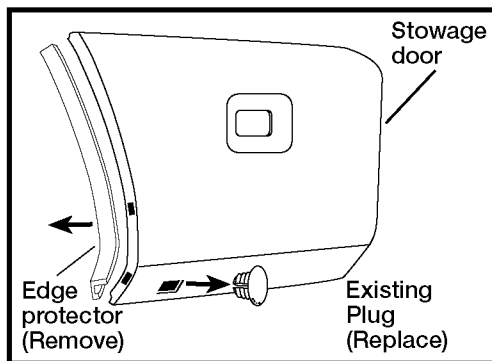
50/50 Alcohol/Water Mixture • Hand Roller • Adhesive Remover

6. INSTALLATION PRECAUTIONS:

- (A) Be careful not to damage the vehicle and the splash guards during installation.
- (B) The splash guards are made of plastic. Avoid any heavy impact.
- (C) After the installation is complete, make sure all the screws, nuts, bolts and other components are tightened securely.
- (D) Installation surface must be clean.

INSTALLATION INSTRUCTIONS - REAR UTILITY BED LEFT HAND GUARDS

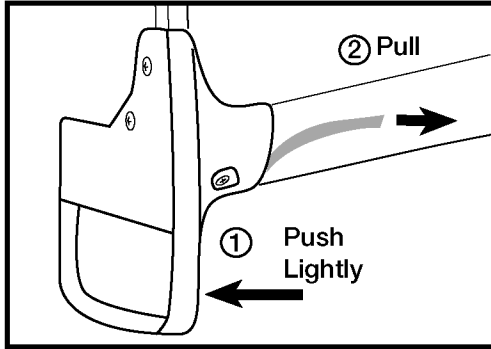
7. INSTALLATION PROCEDURE



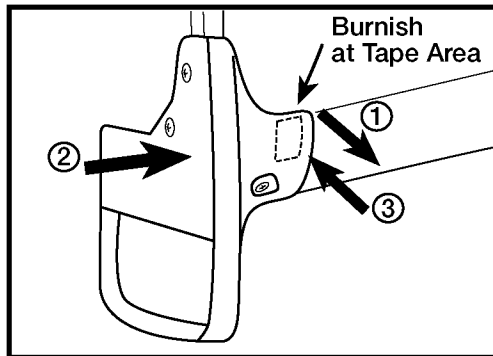
The procedure below shows the installation for the left side. For the right side, use standard bed instructions.

- (1) Wash any dirt and oil off of the installation surface with mild soap and water. Use a 50/50 alcohol-water mixture to further prepare the area.
- (2) Remove the existing plug from the underside of the rear fender and discard.
- (3) Remove edge protector from door.
- (4) Remove any tape residue left from edge protector and clean with adhesive remover if necessary.
- (5) Using the provided cleaning cloth, clean the area where double sided tape will contact the vehicle (shaded area).
- (6) Install plastic grommets into the holes on door edge and underside of fender.
- (7) Fold tab backing tab so that edge will be accessible once splash guard is installed.
- (8) Hold the splash guard in position against the fender so the holes align.
- (9) Loosely install the screws in the locations indicated.
- (10) Push the splash guard tight to the vehicle at locations as shown by the arrows in illustration while tightening the screws in the order shown.

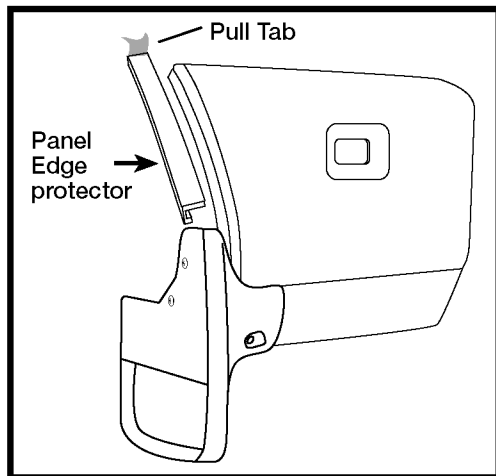
INSTALLATION INSTRUCTIONS - REAR UTILITY BED LEFT HAND GUARDS



- (11) Push lightly forward on the bottom of the splash guard. Slowly pull the tape backing tab rearward to remove.



- (12) While holding tape away from the vehicle at upper rear corner (1), push the splash guard rearward into correct position as shown by the arrow in illustration (2). Once in proper position, press tape area to vehicle (3).
- (13) Use a hand roller or burnish tape area with a minimum of 15 lbs. of pressure to ensure good contact with fender.



- (14) Clean inside of door edge where tape was removed using 50/50 alcohol water mixture. Clean further using the cleaning cloth from step #6.
- (15) Fold back a pull tab on the backing tape of the panel edge protector and install over the edge of the door.
- (16) When the panel edge protector is positioned properly, pull the backing tab to expose the adhesive and burnish as in #17 above.