



## GENUINE PARTS

### INSTALLATION INSTRUCTIONS

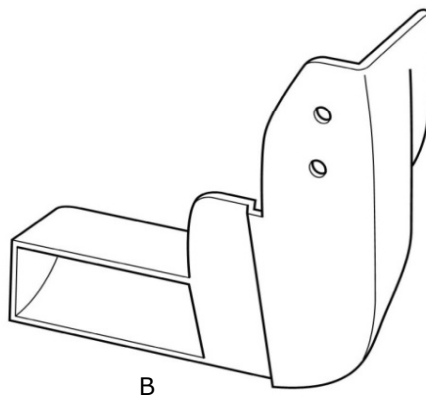
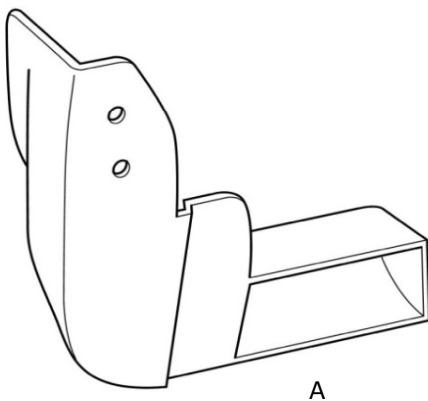
**DESCRIPTION:** Rear Splash Guards Kit

**APPLICATION:** NV Cargo & Passenger

**PART NUMBER:** 999J2 HX004

#### KIT CONTENTS:

Item	Qty.	Part Description	Service Part Number
A	1	Splash Guard-RR RH (Passenger side)	93820 1PA0A
B	1	Splash Guard-RR LH (Driver side)	93821 1PA0A
C	6	Screw	14-51 00891
D	2	Grommet	12-81 00441
E	2	INSTALLATION INSTRUCTION REPLACEMENT TEMPLATE	



C



D

#### TOOLS REQUIRED:

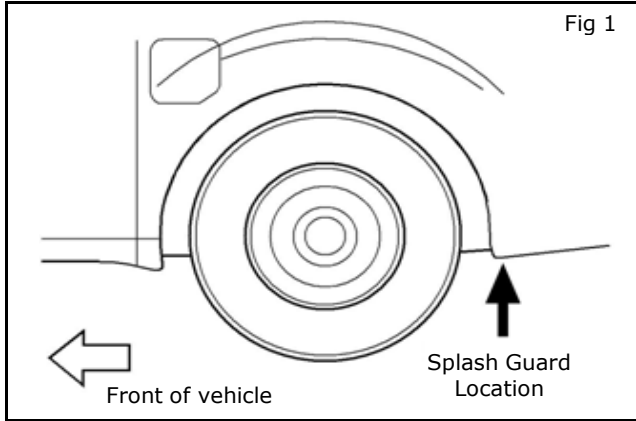
- Clean Cloth
- #2 Phillips Screwdriver
- Trim clip removal tool

#### PRE-INSTALLATION CAUTIONS/NOTES:

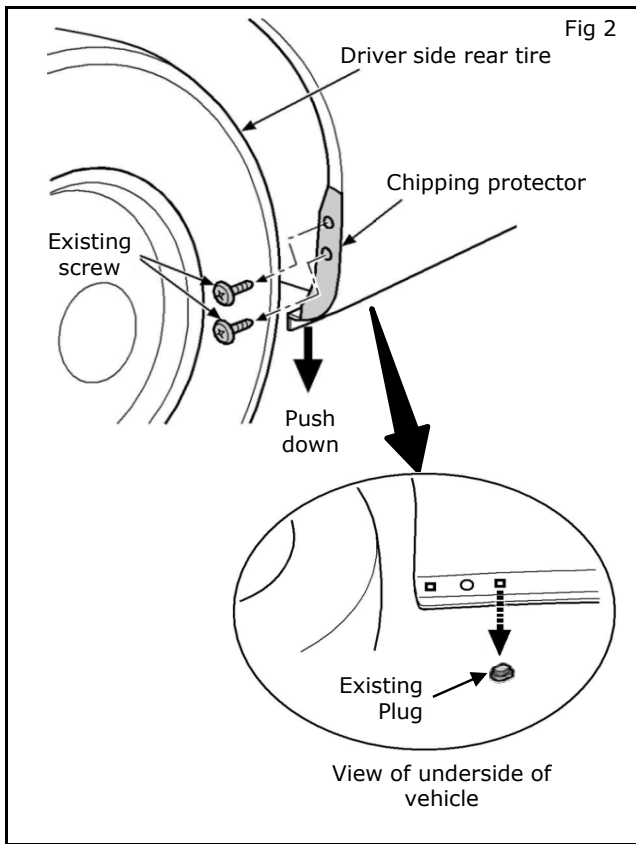
##### NOTE:

- These instructions are for driver side(LH) of vehicle; same procedure applies to passenger side.

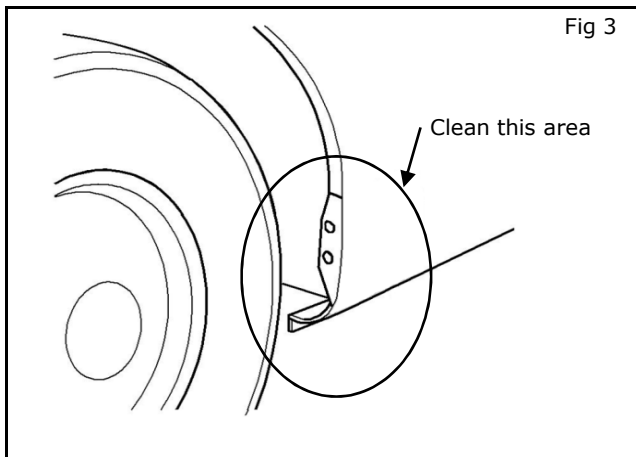
**INSTALLATION PROCEDURE:**



1) Splash Guard location.

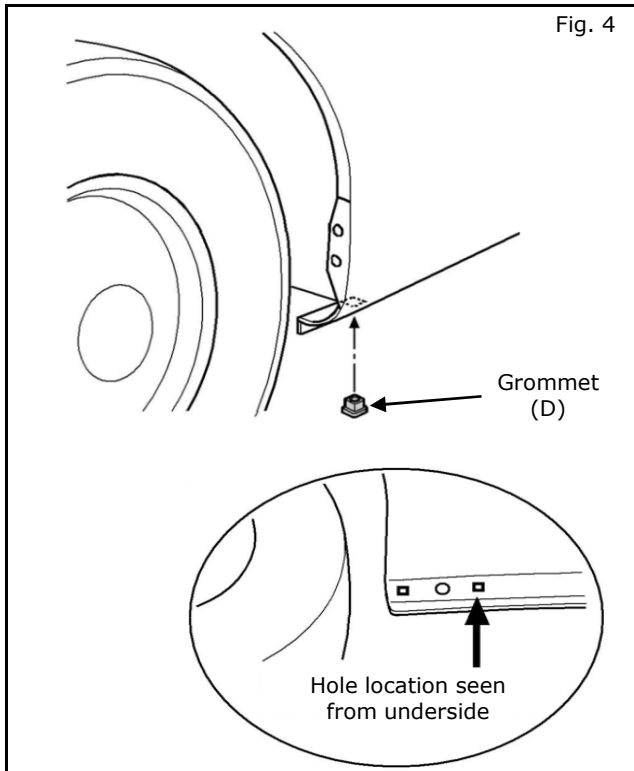


- 2) Remove and discard existing screws at 2 locations shown.
- 3) Remove and discard existing chip protector shown.
- 4) Remove and discard existing rear plug at 1 location shown.

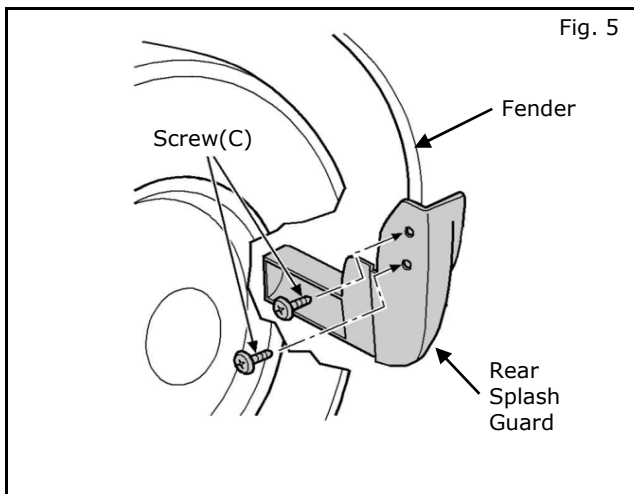


5) Thoroughly clean mounting surface.

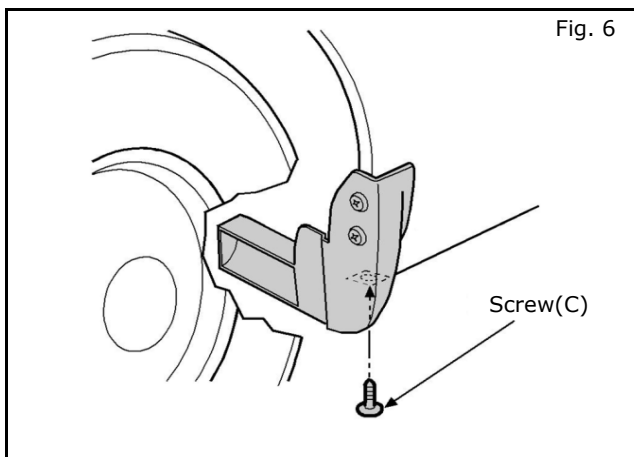
**INSTALLATION PROCEDURE:**



6) Insert one Grommet (D) into rear most square hole.

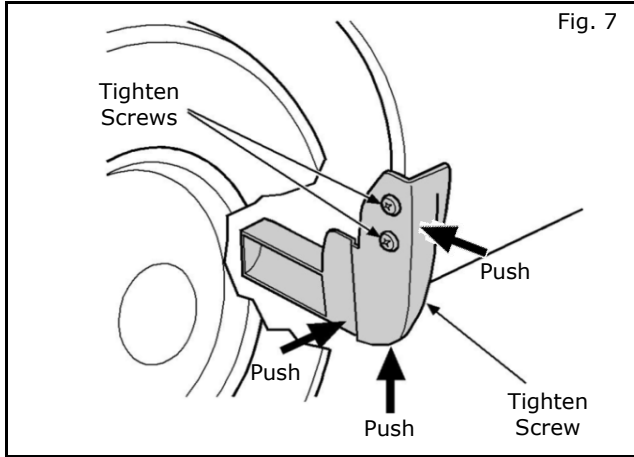


7) Align two holes in Splash Guard to two holes in wheel liner and loosely attach Splash Guard to wheel liner and fender using Screws(C).



8) Align lower hole in Splash Guard to lower hole in fender and loosely attach Splash Guard to fender using Screw(C).

**INSTALLATION PROCEDURE:**



9) Push Splash Guard up, inboard and rearward firmly to fender to ensure there is no gap around the Splash Guard and tighten all screws shown.

10) Repeat same procedure for passenger side of vehicle.

**INSTALLATION PROCEDURE:**

**ACCESSORY CHECK:**

Check **no gap** around splash guards. (Step 9)