



# GENUINE PARTS









## INSTALLATION INSTRUCTIONS

1. DESCRIPTION: **BED TUBE RAILS**

2. APPLICATION: **TITAN 2004 -**

3. PART NUMBER: **999T7-WQ900CC 999T7-WQ900KC 999T7-WU900**

4. KIT CONTENTS:

<u>Item No.</u>	<u>Qty</u>	<u>Description</u>	
1	2	Side Rail Tube	
2	4	Base	
3	4	Mounting Bracket	
4	4	Gasket	
5	4	M8-1.25 X 40 Button Head Bolt	
6	4	M8-1.25 X 60 Button Head Bolt	
7	4	8mm Washer	
8	1	Installation Instructions	

5: TOOLS REQUIRED:

Ratchet (3/8" drive)	5mm Allen Head Drive	Eye Protection
Utility Knife w/Adjustable Depth	Torque wrench (Suitable for 35-45 in./lbs. & 16 ft./lbs.)	

6. INSTALLATION PRECAUTIONS / NOTES:

**NOTE: BE SURE TO PROPERLY ADJUST THE DEPTH OF THE UTILITY KNIFE WHEN CUTTING THE PLASTIC AT THE STAKE POCKETS (STEP 1).**

**DAMAGE TO THE VEHICLE PAINT MAY OCCUR IF THE DEPTH OF THE KNIFE IS NOT PROPERLY SET WHEN CUTTING.**

# INSTALLATION INSTRUCTIONS - SIDE RAIL

## 7. INSTALLATION PROCEDURE

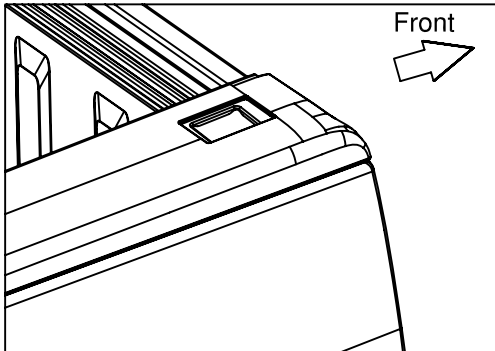


Fig. 1

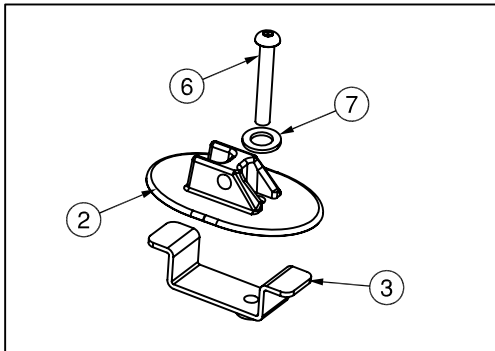


Fig. 2

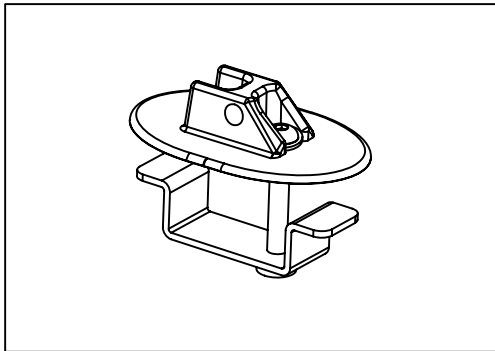


Fig. 3

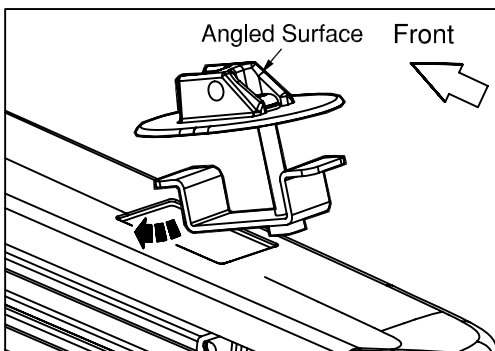


Fig. 4

1. Using a utility knife with an adjustable depth of cut, set the cut depth to 1.5mm, then cut the indented stake pocket locations out. (See Fig. 1)

### CAUTION

The 1.5mm cut depth limit setting is important to avoid cutting into the painted sheet metal under the bed cap.

### CAUTION

Take extra precaution not to slip onto the bed caps with the utility knife while cutting the stake pocket holes.

2. Repeat Step 1 for all four of the stake pocket locations.
3. Assemble the Base to the Mounting Bracket using the M8 x 65mm bolt as shown. (See Fig. 2) Only turn the Mounting Bracket on a few threads. (See Fig. 3)

4. Repeat Step 3 for the all of the Bases.

5. Rotate the assembled Base into the rear stake pocket hole. The rear locations must be oriented so the angled surface is facing the rear of the vehicle. (See Fig. 4) Hand tighten only.

# INSTALLATION INSTRUCTIONS - SIDE RAIL

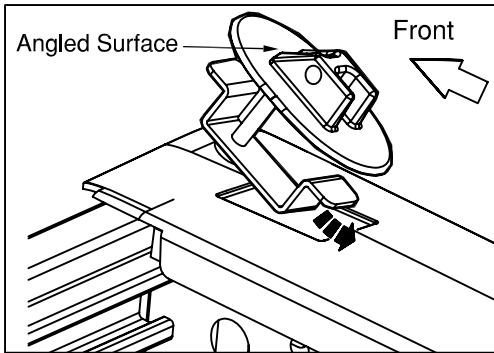


Fig. 5

6. Rotate the assembled Base into the front stake pocket hole. The front locations must be oriented so the angled surface is facing the front of the vehicle. (See Fig. 5) While inserting the bracket, twist slightly towards the outside of the vehicle. Hand tighten only.

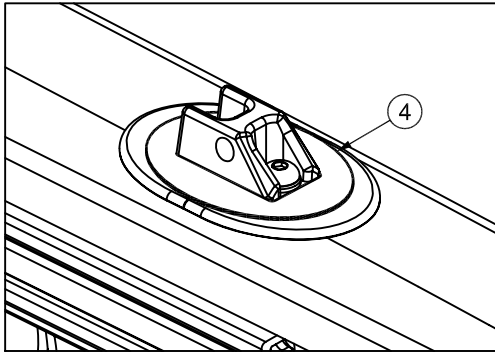


Fig. 6

7. Place the Gasket on the Bases as shown. (See Fig. 6) Repeat for all locations.

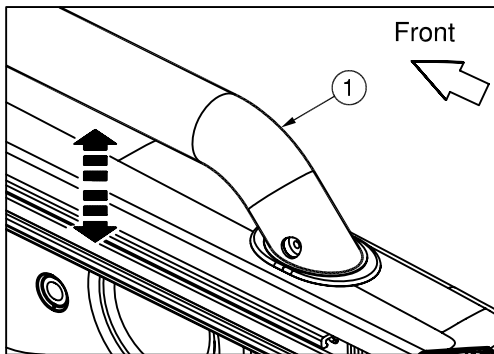


Fig. 7

8. Place Side Rail Tube over the Bases with the holes facing towards the center of the vehicle. Push down until the Bases are properly located. Lift the Side Rail Tube Straight up and off of the Bases. (See Fig. 7)
9. Place Side Rail Tube over the Bases with the holes facing towards the center of the vehicle. Align both bases so they cover the stake pockets. Push down on the tube and insert the short M8 bolt. Hand start a few turns only. Slide the rail into position ensuring that the stake pockets are covered. Remove the short M8 bolt and carefully lift the Side Rail Tube straight up and off the Bases. Pay carefull attention not to move the bases.

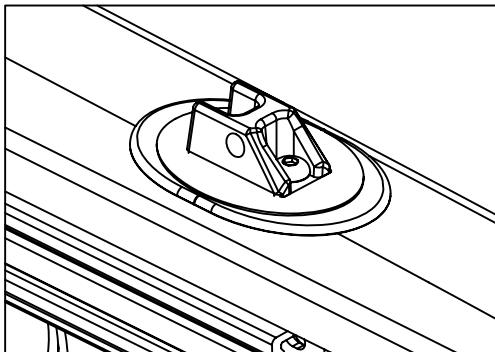


Fig. 8

10. Using a 5mm Allen Head Drive, tighten all of the Bases to the vehicle. Torque to 16ft./lbs.

# INSTALLATION INSTRUCTIONS - SIDE RAIL

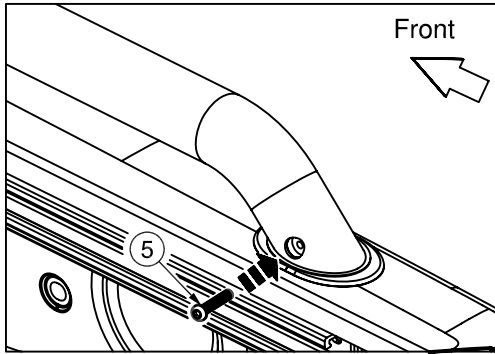


Fig. 9

11. Assemble the Side Rail Tube to the Base by using a 8mm x 45mm long bolt. Using a 5mm Allen Head Drive, tighten all of the bolts. Torque to 16 ft.lbs. Repeat for all corners.