



GENUINE PARTS

INSTALLATION INSTRUCTIONS

DESCRIPTION: Interior Body Panels

APPLICATION: NV

PART NUMBER: 999M1 HW000

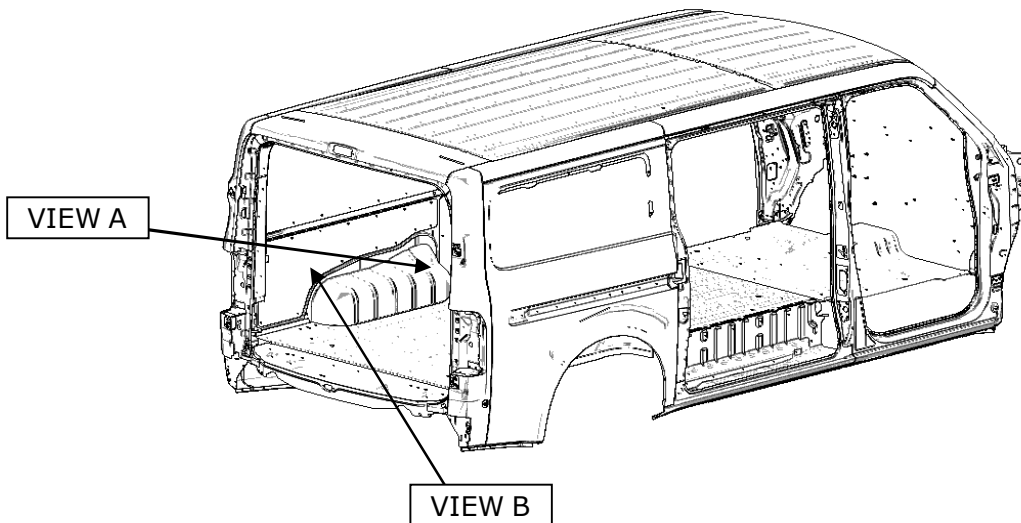
KIT CONTENTS:

Item	QTY	Description
A	6	Body Panels
B	92	Clips
C	1	Instillation Instructions

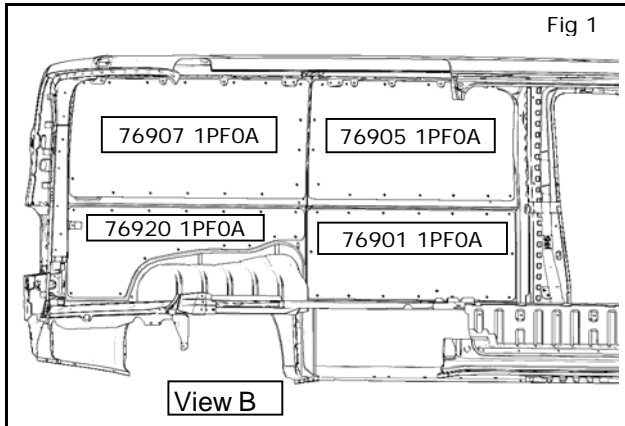
TOOLS REQUIRED:

- None

PRE-INSTALLATION CAUTIONS/NOTES:

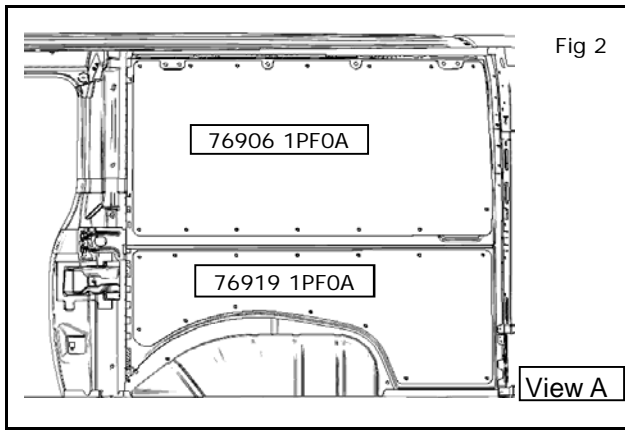


INSTALLATION PROCEDURE:



1) Part Location. See Fig. 1 & 2

- a) Fig. 1 Left Hand side
- b) Fig. 2 Right Hand side



INSTALLATION PROCEDURE:

2) Install pins. See Fig. 3

- a) Install pins at location A then B to secure panels
- b) Install remaining pins, order not important

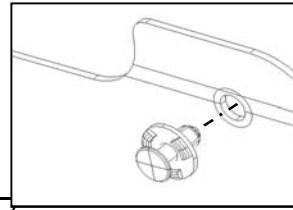


Fig 3

