



## GENUINE PARTS

### INSTALLATION INSTRUCTIONS

**1. DESCRIPTION:** Front chin spoiler

**2. APPLICATION:** Z

**3. PART NUMBER:** K6010-1EA0A

**4. KIT CONTENTS:**

Item	Qty.	Description	Part Number
A	1	Front chin spoiler	-
B	4	Tie wrap	-
C	9	Nut	-
D	9	Bolt	-
E	1	Installation Instructions	-

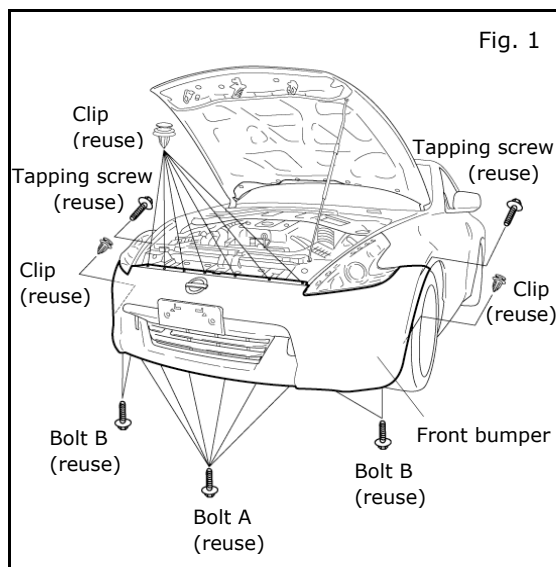


**5. TOOLS REQUIRED:**

- Drill
- 3 mm (1/8"), 5 mm (13/64"), and 8 mm (5/16") Drill bit
- Phillips head screwdriver
- Socket wrench 10 mm (25/64")
- Clean, lint-free wiping cloth
- Clip remover
- Masking tape
- Pin (thumbtack, etc.)
- Cutter
- Mild soap/water mixture

**6. PRE-INSTALLATION CAUTIONS/NOTES:**

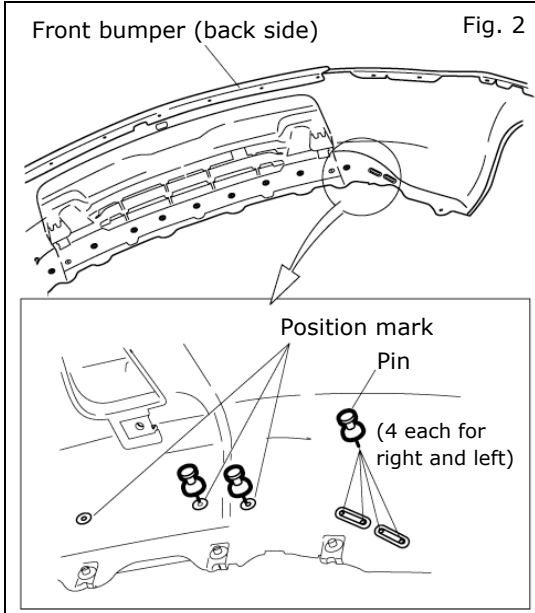
**7. INSTALLATION PROCEDURE:**



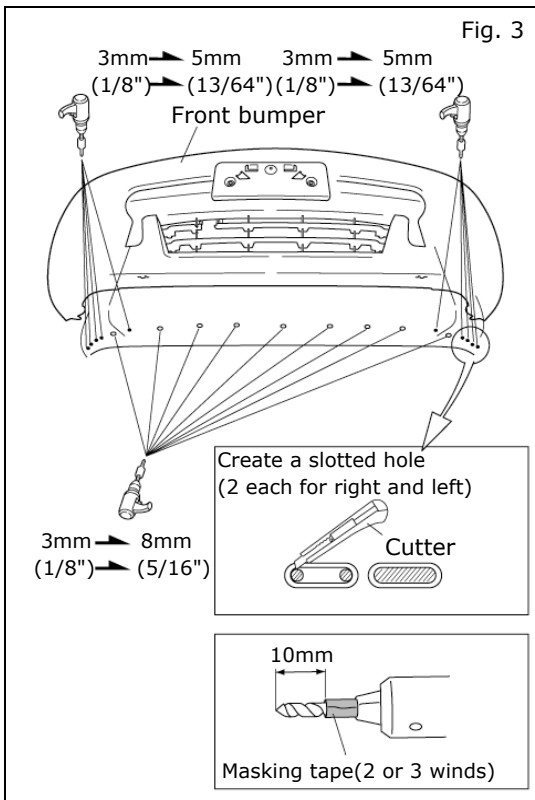
1. Installation preparation

- a) Remove the clips(reuse) that attach the front bumper upper portion to the vehicle. (qty. 7) See Fig. 1.
- b) Remove bolts A(reuse) and B(reuse) from below the vehicle. (bolt A: 3 on each side, bolt B: 2 on each side) See Fig. 1.
- c) Remove the clip(reuse) that attach the fender protector to the vehicle. (1 on each side) See Fig. 1.
- d) Remove the tapping screw(reuse) that attach the front bumper to the fender. (1 on each side) See Fig. 1.
- e) Pull outward on the front bumper to detach the claws, in the fender and headlamp area, that attach the front bumper to the vehicle.
- f) Remove the front bumper from the vehicle.

## INSTALLATION INSTRUCTIONS - Front chin spoiler

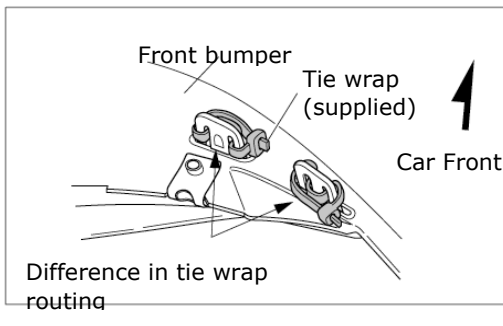
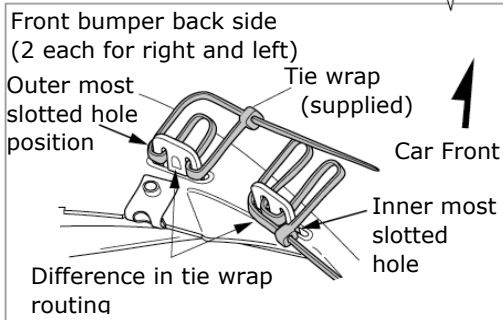
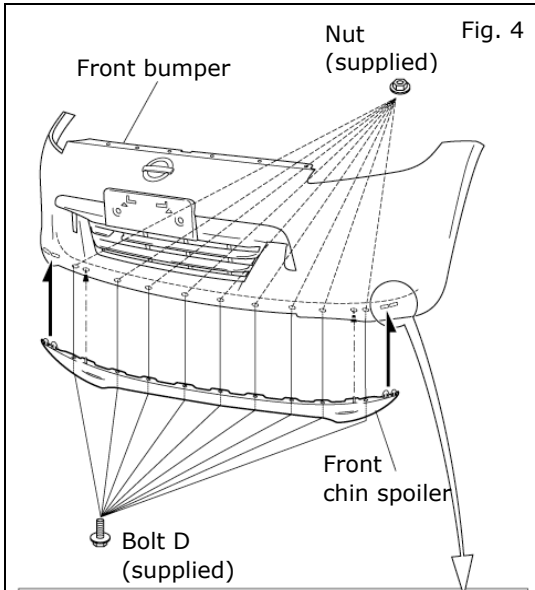


- g) Visually confirm the markings(O), on the back of the front bumper, where holes are to be drilled for the front chin spoiler. See Fig. 2.
- h) Mark the hole position (O) centers with a small pin or thumbtack. (19 places) See Fig. 2.



- i) Wrap masking tape around 3 mm (1/8"), 5 mm (13/64"), and 8 mm (5/16") drill bits, approximately 10 mm from the tip.
- j) Drill 3 mm (1/8") holes at all marked locations on the front bumper. See Fig.
- k) Drill 5 mm (13/64") holes at the marked locations on the front bumper. See Fig.
- l) Drill 8 mm (5/16") holes at the marked locations on the front bumper. See Fig.
- m) On the back of the front bumper, at the far left and right holes, use a cutter to create a slotted hole. See Fig. 3.

## INSTALLATION INSTRUCTIONS - Front chin spoiler



2. Front chin spoiler installation
  - a) Align the front chin spoiler claws to the slotted holes on the left and right side of the front bumper and push the front chin spoiler against the front bumper to insert the claws in the slotted holes. See Fig. 4.
  - b) Install bolts D(supplied) and nuts(supplied) under the front chin spoiler. See Fig. 4.
  - c) Route the tie wraps through the front chin spoiler claws and loosely fasten the tie wraps. See Fig. 4.

**NOTE:**

- **Before fastening the tie wraps, ensure that the tie wraps are routed through the front chin spoiler claws exactly as illustrated. See Fig. 4.**
  - **Notice that there is a difference in tie wrap routing at the outer and inner most slotted holes. See Fig. 4.**
- d) Tightly fasten the tie wraps and cut the unnecessary tie wrap ends. See Fig. 4.
  - e) Reinstall all removed parts in reverse order.