

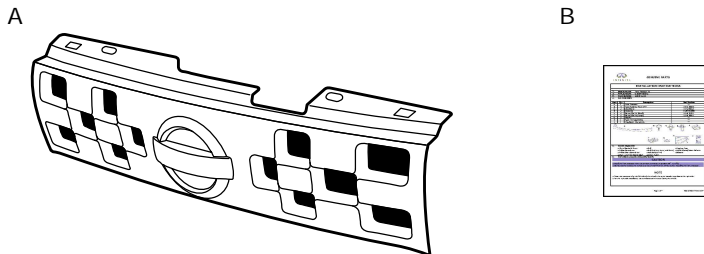


GENUINE PARTS

INSTALLATION INSTRUCTIONS

1. **DESCRIPTION:** Extreme Custom Grille
2. **APPLICATION:** Cube
3. **PART NUMBER:** F2310-1FC0A
4. **KIT CONTENTS:**

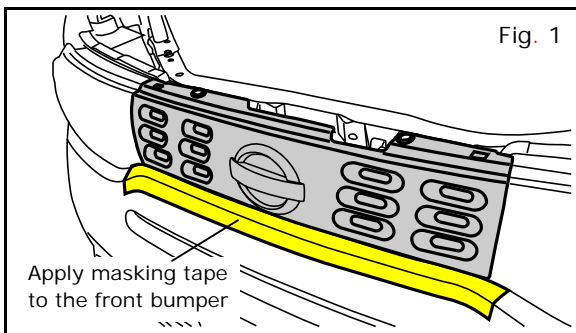
Item	Qty.	Description	Part Number
A	1	Extreme Custom Grille	---
B	1	Installation Instructions	---



5. **TOOLS REQUIRED:**
 - Clip remover
 - Needle nose pliers
 - Masking tape

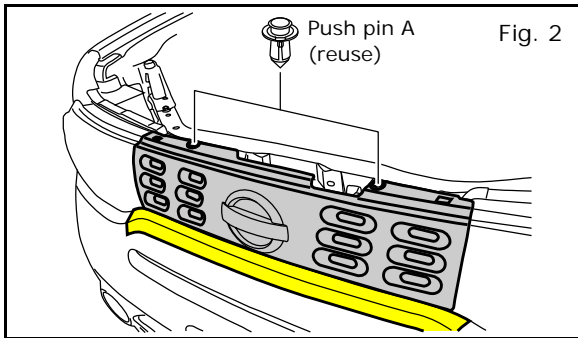
6. **PRE-INSTALLATION CAUTIONS/NOTES:**

7. **INSTALLATION PROCEDURE:**

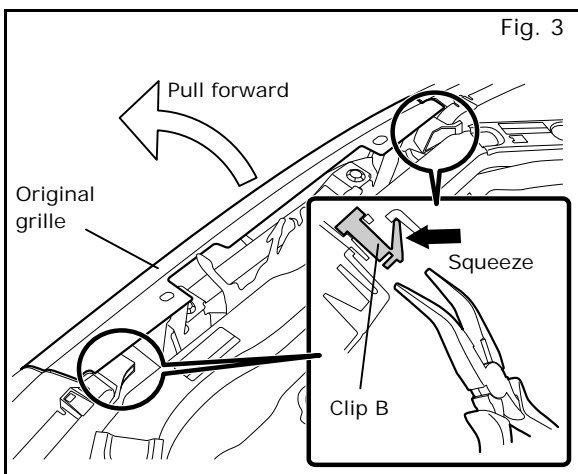


1. Installation preparation
 - a) Open vehicle engine hood.
 - b) Apply masking tape to the front bumper, around the original grille, to prevent scratches. See Fig. 1.

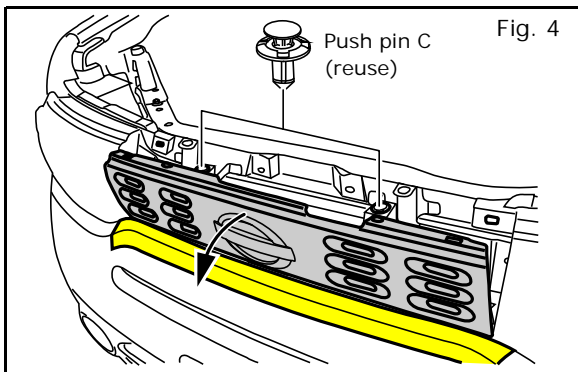
INSTALLATION INSTRUCTIONS - Extreme Custom Grille



- c) Use a clip remover to remove push pins A(reuse). See Fig. 2.

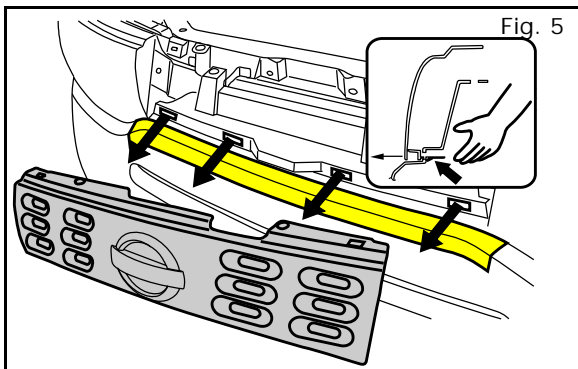


- d) Using needle nose pliers, squeeze clips B on the back side of the original grille and pull forward on the top portion of the original grille to disengage the clips B from the vehicle. See Fig. 3.



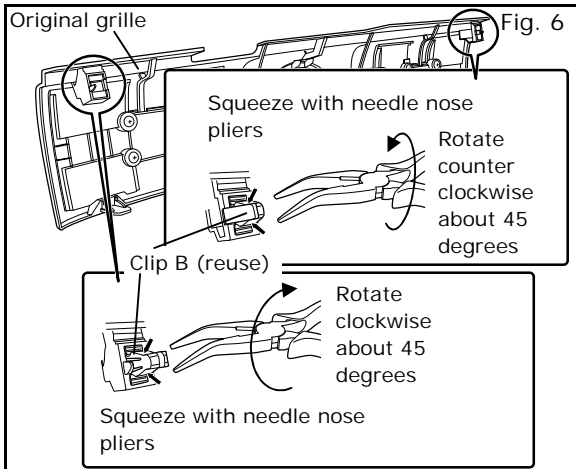
- e) Use a clip remover to remove push pins C(reuse). See Fig. 4.

NOTE:
DO NOT MIX PUSH PINS A AND C..



- f) By hand, unhook the original grille claws from the front bumper and slowly remove the grille by pulling the grille away from front bumper. See Fig 5.

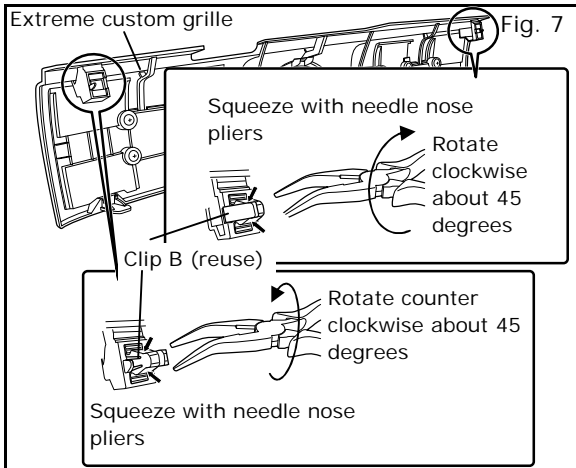
INSTALLATION INSTRUCTIONS - Extreme Custom Grille



- g) Using needle nose pliers, squeeze the top and bottom of clips B(reuse) on the back side of the original grille. See Fig. 6.
- h) While squeezing clips B(reuse), rotate about 45 degrees and pull to remove clips B(reuse) from the original grille. See Fig. 6.

⚠ CAUTION

- If clips B are broken during removal, please order service part number 76882-WD400 for replacement.

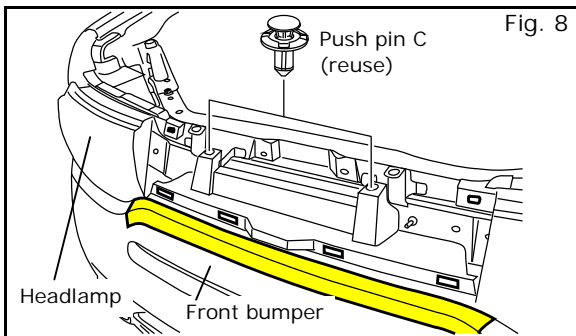


- 2. Extreme custom grille installation
 - a) Using needle nose pliers, align clips B(reuse) to the Extreme custom grille and rotate until clips B(reuse) are completely installed. See Fig. 7.

⚠ CAUTION

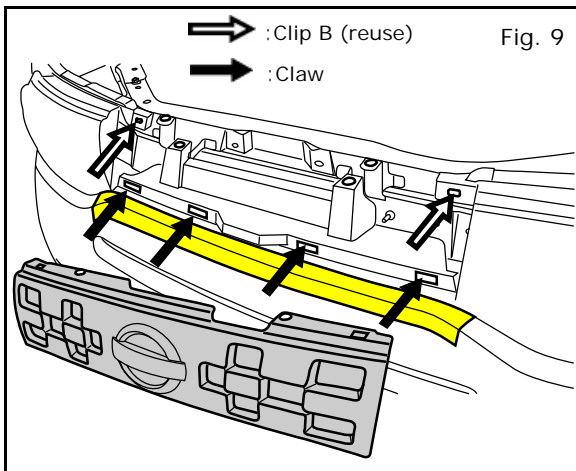
- Rotate clips B until "click" sound is heard. "Click" sound indicates that the clips are completely installed.

NOTE:
WHEN INSTALLED CORRECTLY THE CLIP TABS SHOULD BE FACING INBOARD.



- b) Install push pins C(reuse). See Fig. 8

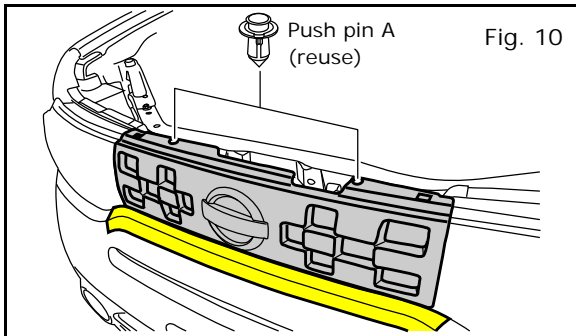
INSTALLATION INSTRUCTIONS - Extreme Custom Grille



- c) Align the Extreme custom grille clips B and claws to the holes in the front bumper and push the Extreme custom grille against the front bumper to insert the clips B and claws in the holes. See Fig. 9.

CAUTION

- Push the Extreme custom grille against the front bumper until "click" sound is heard. "Click" sound indicates that the Extreme custom grille is completely installed.



- d) Install push pin A(reuse). See Fig. 10
- e) Remove the masking tape from the bumper and close the vehicle engine hood.