



## GENUINE PARTS

### INSTALLATION INSTRUCTIONS

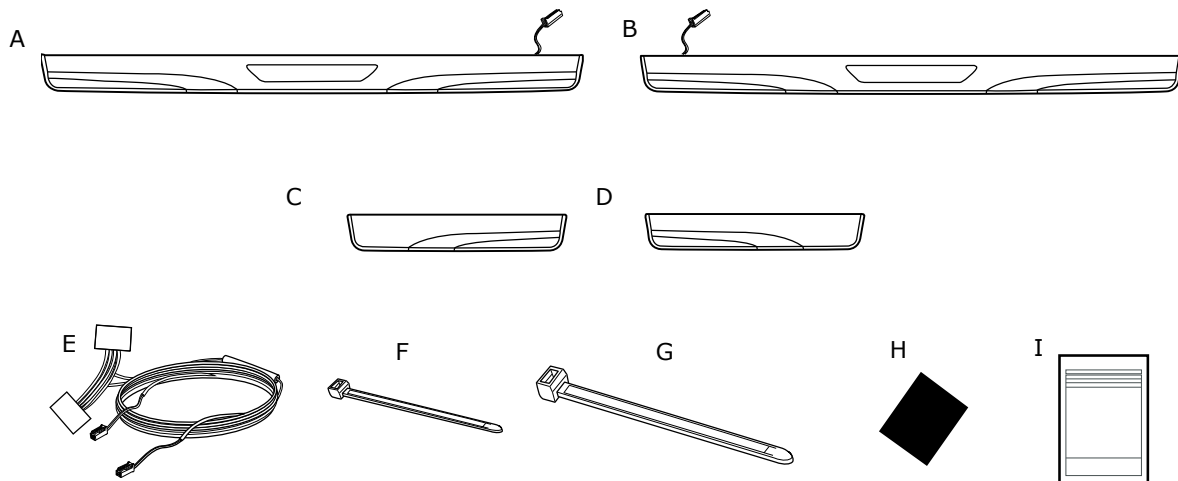
1. **DESCRIPTION:** Illuminated Kick Plate

2. **APPLICATION:** MURANO

3. **PART NUMBER:** G6950 1AA00

4. **KIT CONTENTS:**

Item	QTY	Description
A	1	Kick Plate FR LH
B	1	Kick Plate FR RH
C	1	Kick Plate RR LH
D	1	Kick Plate RR RH
E	1	T-Harness
F	18	Tie Wrap (L=150mm)
G	3	Tie Wrap (L=300mm)
H	21	Urethane foam tape
I	1	Installation Instructions



5. **TOOLS REQUIRED:**

- Nylon Removal Tool
- Wire cutter
- 10mm Socket and driver
- Plus screw driver
- Masking tape
- Flash light
- Scissors
- 50/50 alcohol water solution
- Soap water
- Soft non linting towel

# INSTALLATION INSTRUCTIONS - ILLUMINATED KICK PLATE

## 6. PRE-INSTALLATION CAUTIONS/NOTES

### ⚠ CAUTION

- Dealer Installation Recommended. Instructions refer to Service Manual.
- Please read this instruction carefully before installing this product for correct installation.
- Please DO NOT use or install the part in ways other than what is described in this instruction manual.
- If problem occurs during installation, please contact Nissan dealer where you purchased the product.
- Pay attention when removing trim parts to avoid breaking clips.

- 1) Apply Parking Brake.
- 2) Make sure the shift lever is engaged in "P" or "N" position.
- 3) Record customer Radio Presets.

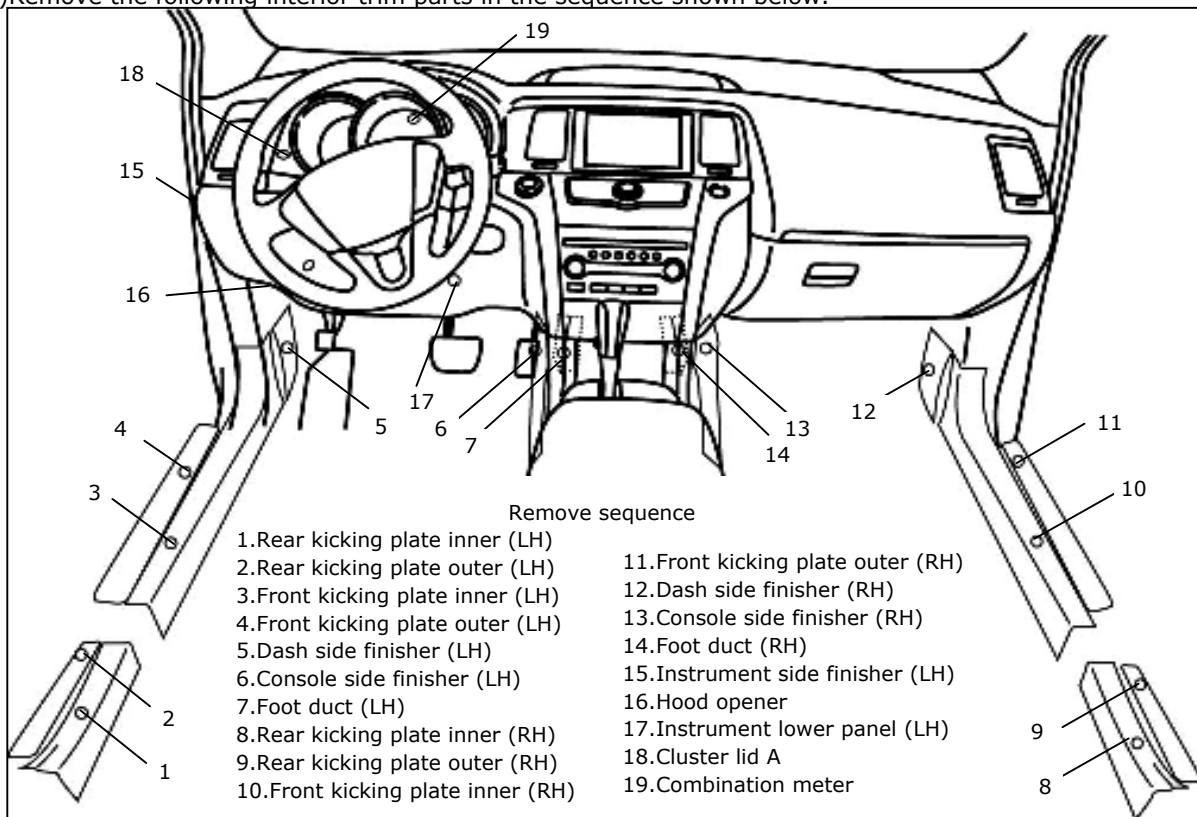
Preset	1	2	3	4	5	6
A						
B						
C						

- 4) Use seat and floor protection.
- 5) Open the hood of the vehicle.
- 6) Disconnect the negative battery terminal to prevent short circuits during installation.
- 7) This part is to be installed at a vehicle body surface temperature of 65-100°F.
- 8) Do not wash the vehicle for 24 hours after installing to prevent the double-sided tape from peeling.

### ⚠ CAUTION

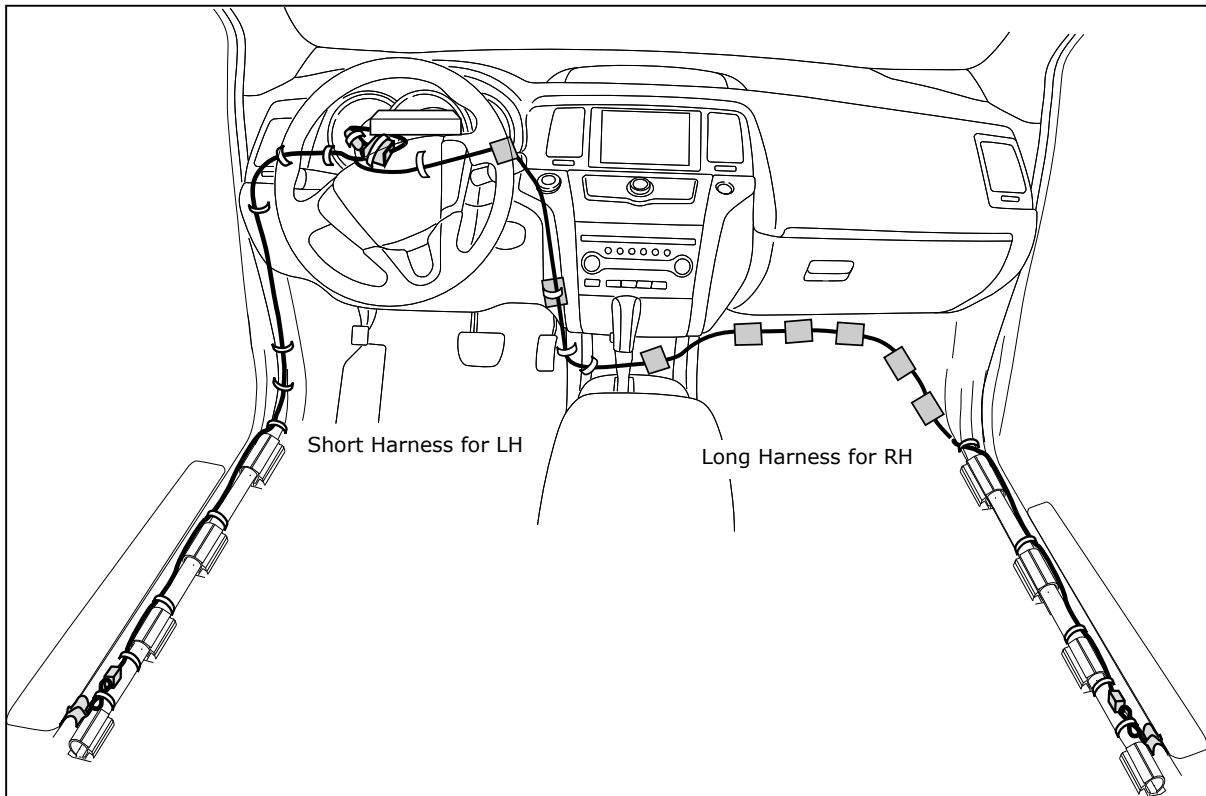
- Care must be taken not to scratch or damage any components during the removal or replacement process.

- 9) Remove the following interior trim parts in the sequence shown below.

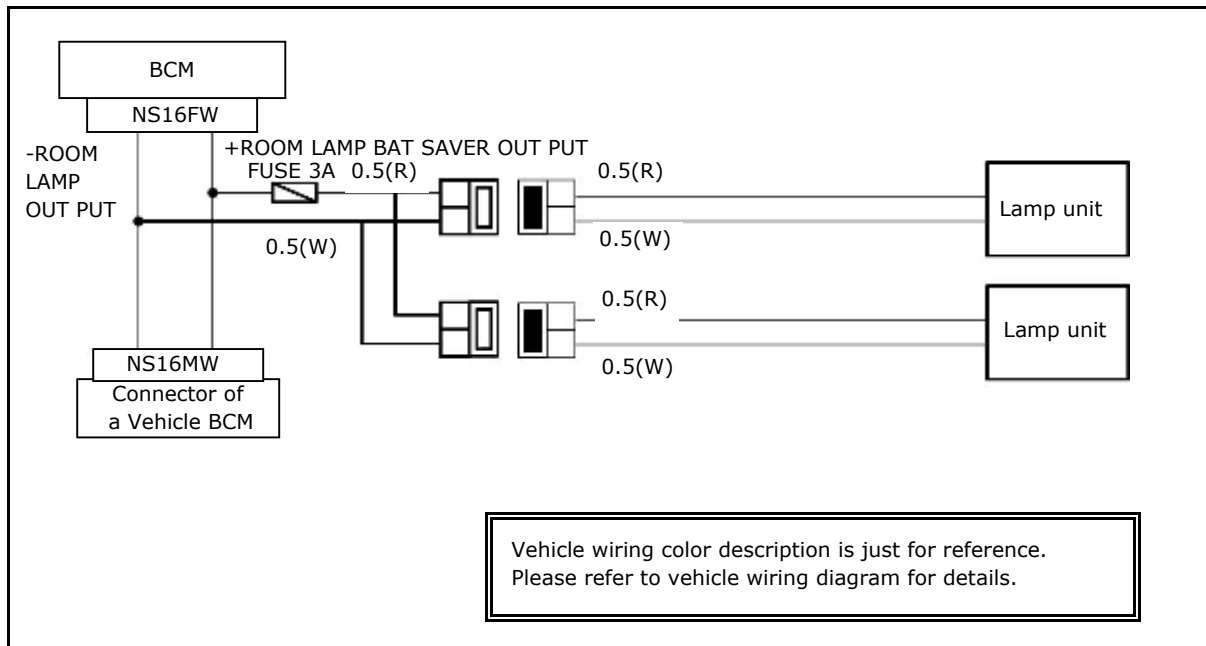


# INSTALLATION INSTRUCTIONS - ILLUMINATED KICK PLATE

## 7. INSTALLATION OUTLINE

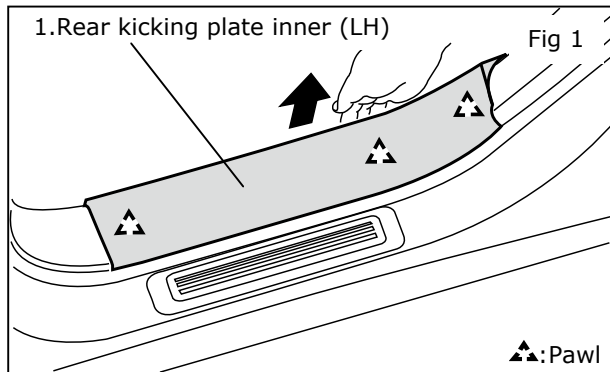


## 8. STANDARD CONNECTION METHOD



# INSTALLATION INSTRUCTIONS - Illuminated Kick Plate

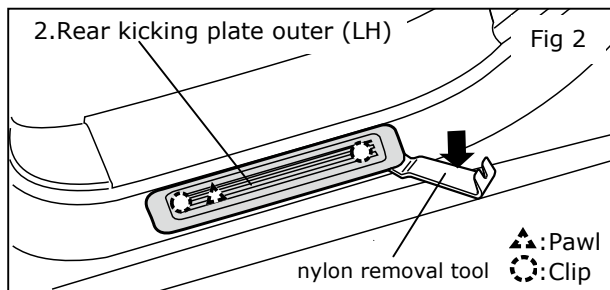
## 9. VEHICLE PARTS REMOVAL



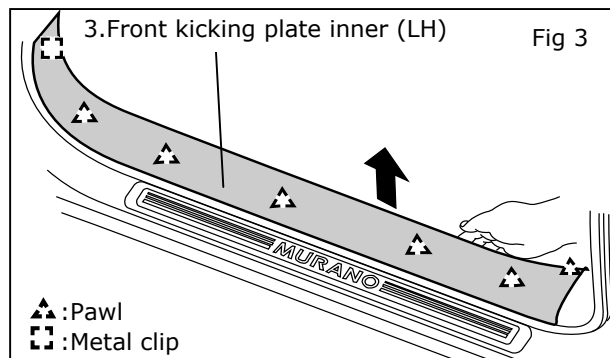
- 1) Rear kicking plate inner (LH) removal
  - a) Pull up Rear kicking plate inner (LH) by hand, and disconnect pawls. Shown in Fig 1.
  - b) Remove Rear kicking plate inner (1).

### CAUTION

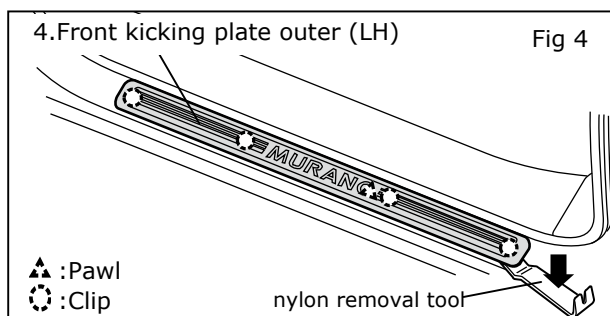
- Remove kicking plate in vertical dissection to avoid breaking vertical pawls.



- 2) Rear kicking plate outer (LH) removal
  - a) Detach Rear kicking plate outer (LH) mounting clips with nylon removal tool, then remove Rear kicking plate outer (LH) (2). Shown in Fig 2.



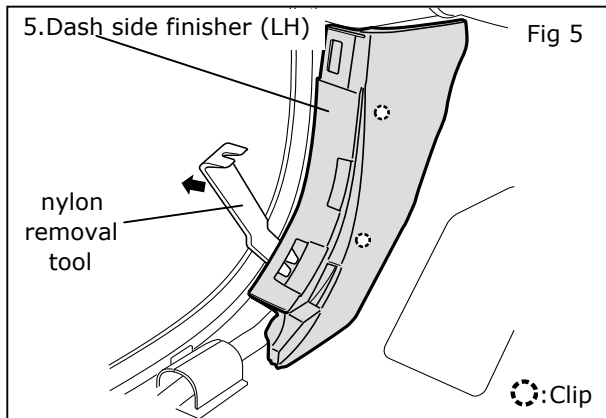
- 3) Front kicking plate inner (LH) removal
  - a) Pull up Front kicking plate inner (LH) by hand, and disconnect pawls. Shown in Fig 3.
  - b) Remove Front kicking plate inner (LH) (3).



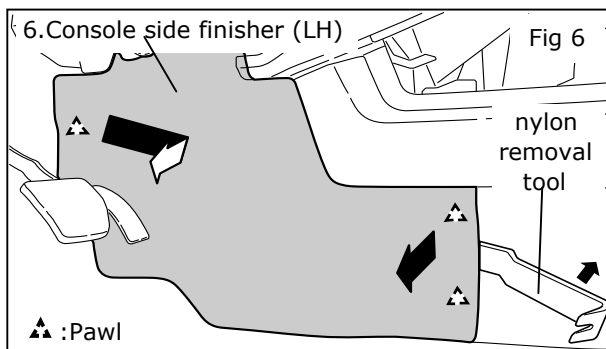
- 4) Front kicking plate outer (LH) removal
  - a) Detach Front kicking plate outer (LH) mounting clips with nylon removal tool, then remove Front kicking plate outer (LH) (4). Shown in Fig 4.

## INSTALLATION INSTRUCTIONS - Illuminated Kick Plate

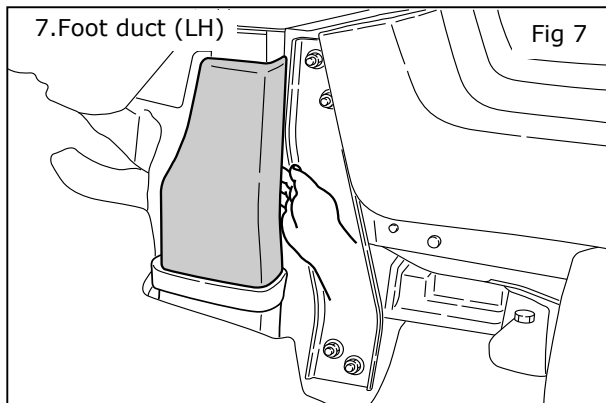
### 9. VEHICLE PARTS REMOVAL CONT'D



- 5) Dash side finisher (LH) removal
  - a) Detach Dash side finisher (LH) mounting clips with nylon removal tool, then remove Dash side finisher (LH) (5).  
Shown in Fig 5.



- 6) Console side finisher (LH) removal
  - a) Use nylon removal tool to detach rear end of Console side finisher (LH).
  - b) Slide Console side finisher (LH) to rear to remove Console side finisher (LH) (6).

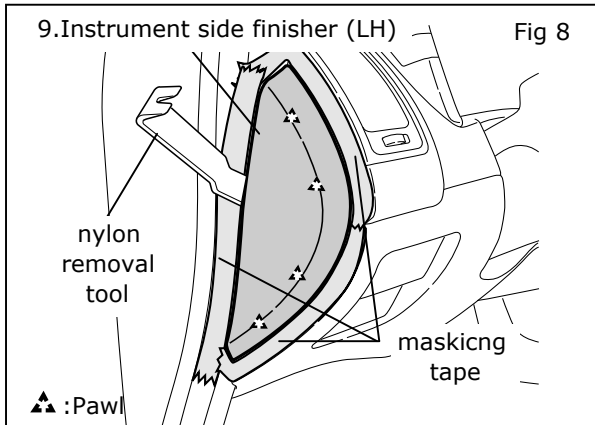


- 7) Foot duct (LH) Removal
  - a) Remove Foot duct (LH) (7) by hand.  
Shown in Fig7.

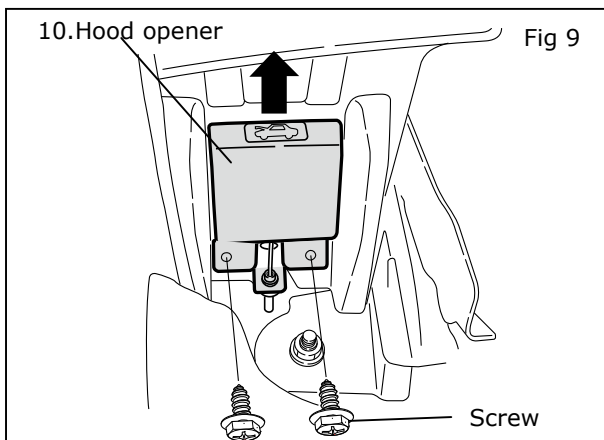
- 8) REPEAT steps 1)-7) for RH side of vehicle.

# INSTALLATION INSTRUCTIONS - Illuminated Kick Plate

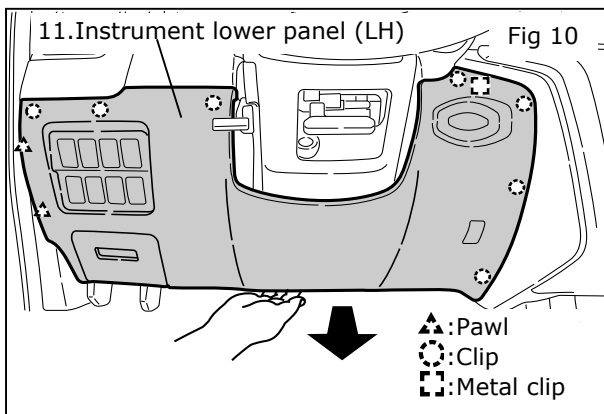
## 9. VEHICLE PARTS REMOVAL CONT'D



- 9) Instrument side finisher(LH) removal
- Apply masking tape to protect trim parts from scratch as shown in Fig 8.
  - Detach Instrument side finisher (LH) mounting clips with nylon removal tool, then remove Instrument side finisher (LH) (15). Shown in Fig 8.



- 10) Hood opener removal
- Remove Hood opener mounting screws with 10mm socket and driver, then remove Hood opener (16). Shown in Fig 9.



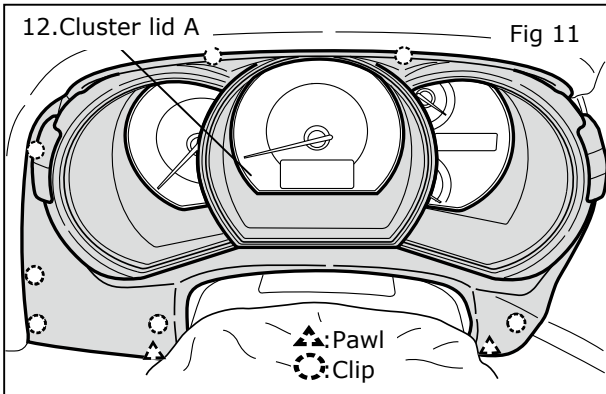
- 11) Instrument lower panel (LH) Removal
- Pull downward, disengage pawls and clips and metal clip by hand.
  - Pull back Instrument lower panel (LH) (17). Shown in Fig10.

### CAUTION

- Do not disconnect connectors.

## INSTALLATION INSTRUCTIONS - Illuminated Kick Plate

### 9. VEHICLE PARTS REMOVAL CONT'D

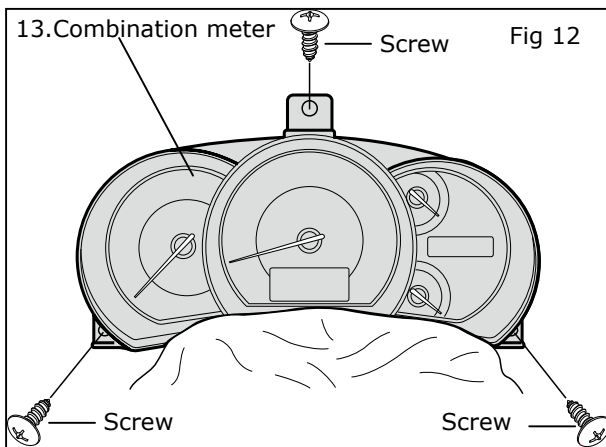


#### 12) Cluster lid A removal

- Disengage mounting clips and pawls, starting from bottom side, then remove Cluster lid A (18), Shown in Fig 11.
- Disconnect harness at LH.

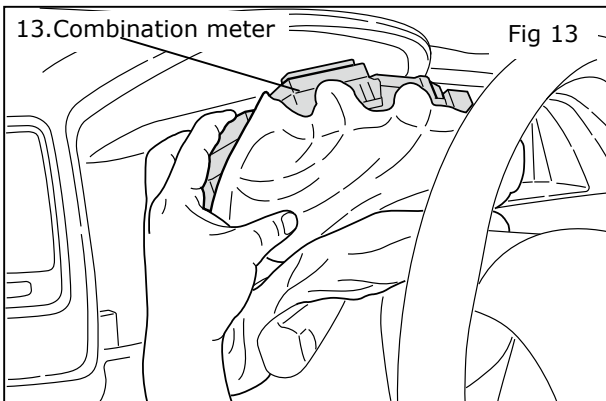
#### **CAUTION**

- Cover steering column cover with cloth to avoid contact with meter bracket that may cause scratches or damages.



#### 13) Combination meter removal

- Remove Combination meter mounting screws with plus screw driver. Shown in Fig 12.
- Disconnect harness at LH.
- Remove Combination meter (19). Shown in Fig 13.

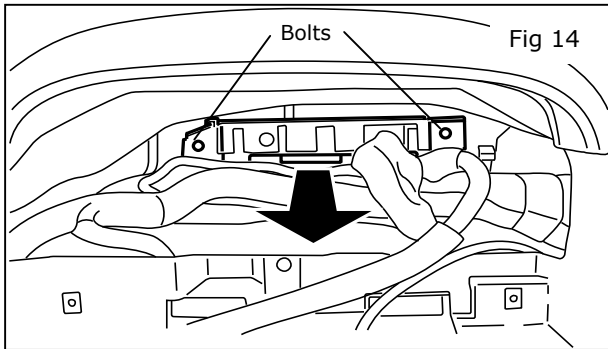


#### **CAUTION**

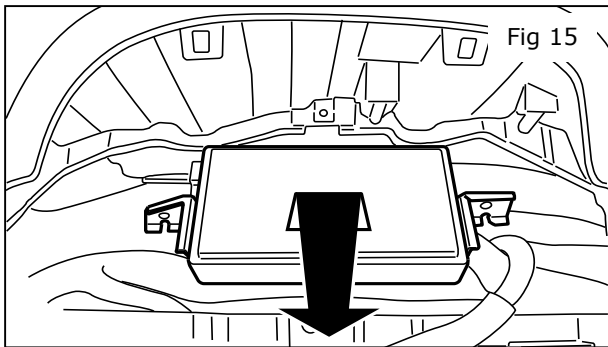
- Cover meter with cloth to avoid contact with meter bracket that may cause scratches or damages.

## INSTALLATION INSTRUCTIONS - Illuminated Kick Plate

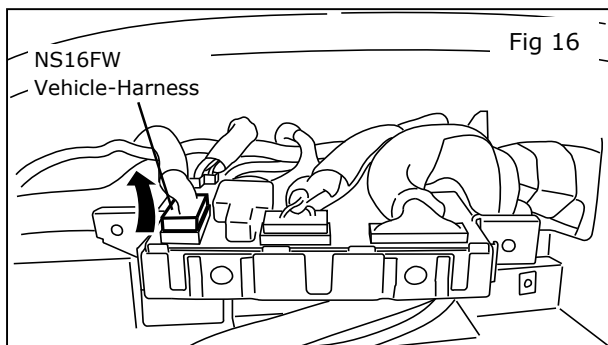
### 10. WIRING HARNESS INSTALLATION



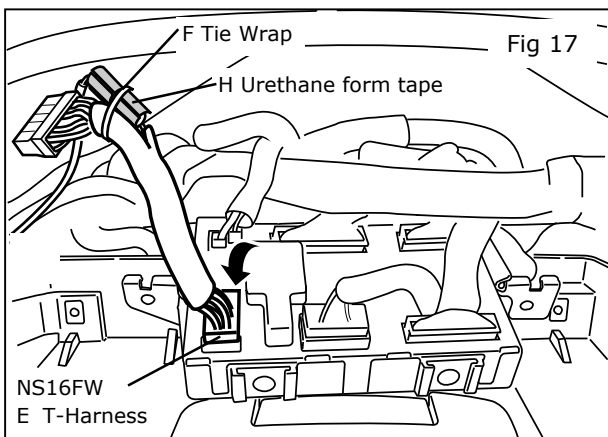
- 1) Remove two bolts mounting BCM with a plus screw driver tool, and pull BCM out shown in Fig 14.



- 2) Turn BCM to access back side shown in Fig 15.



- 3) Disconnect connector(NS16FW) from BCM shown in Fig 16.

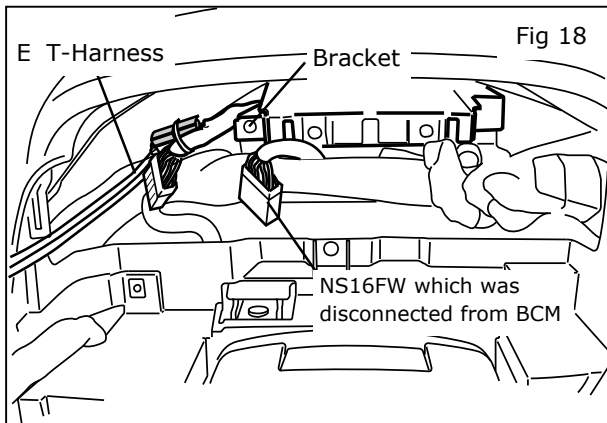


- 4) Wrap the around of T-harness (E) with two pieces of Urethane foam tape (H) shown in Fig 17.
- 5) Attach the fuse of T-harness (E) at the position shown in Fig 17, using the tie wrap (F).(1pieces)
- 6) Connect connector(NS16FW) on T-harness (E) to BCM shown in Fig 17.



## INSTALLATION INSTRUCTIONS - Illuminated Kick Plate

### 10. WIRING HARNESS INSTALLATION CONT'D

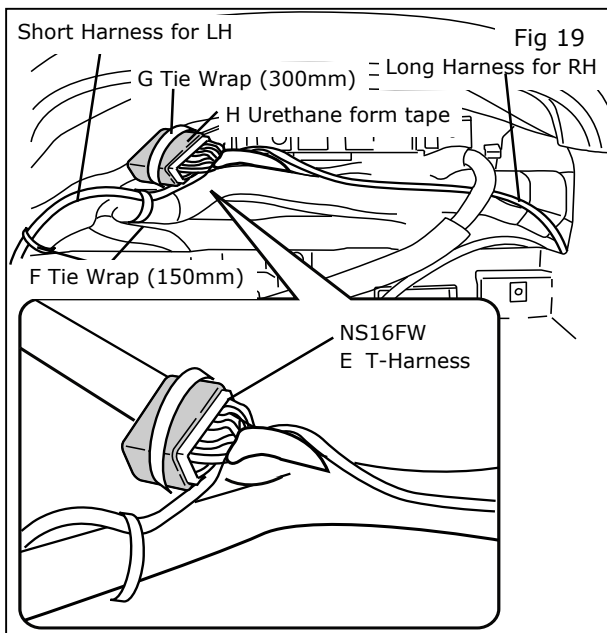


- 7) Install BCM to original position.
  - a) Place T-harness (E) on the back of the installation bracket of BCM.
  - b) Place NS16FW which was disconnected from BCM to go through between BCM and vehicle Main harness.

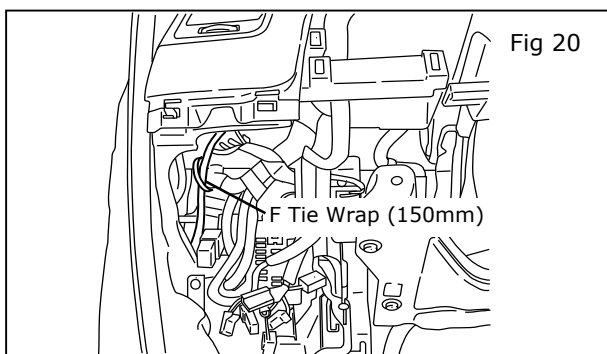
**NOTE:**

When it is hard to return BCM, move vehicle Main harness to front and back side gently.

- c) Install two bolts to BCM mounting bracket.

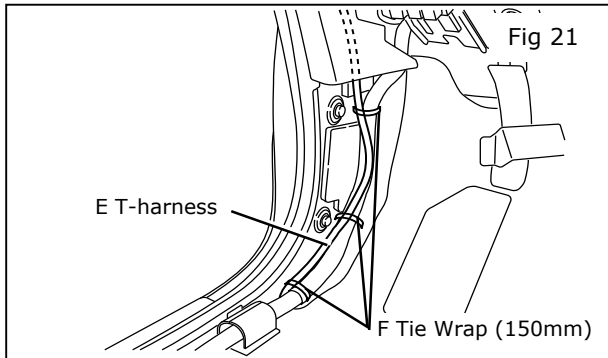


- 8) Connect connector(NS16FW), which was disconnected from BCM, to the T-harness (E) shown in Fig19.
- 9) Wrap around connected connector with three pieces of Urethane form tape (H) shown in Fig 19.
- 10) Attach connected connector to vehicle Main harness at the position shown in Fig 19, using the tie wrap (300mm) (G).(1piece)
- 11)
  - a) Route LH T-harness to LH side sill area.
  - b) Attach the T-harness (E) to vehicle Main harness at the position shown in Fig 19, using the tie wrap (150mm) (F).(2pieces)
- 12) Attach the T-harness (E) to vehicle harness at the position shown in Fig 20, using the tie wrap (F).(1piece)

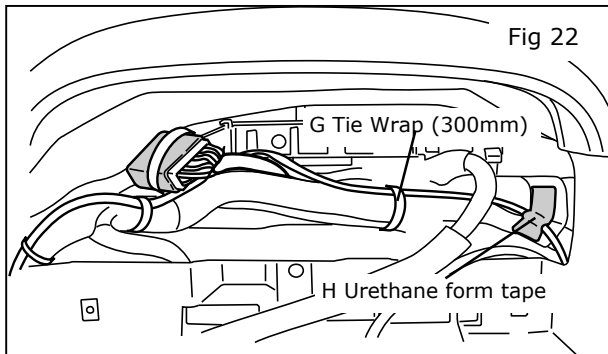


# INSTALLATION INSTRUCTIONS - Illuminated Kick Plate

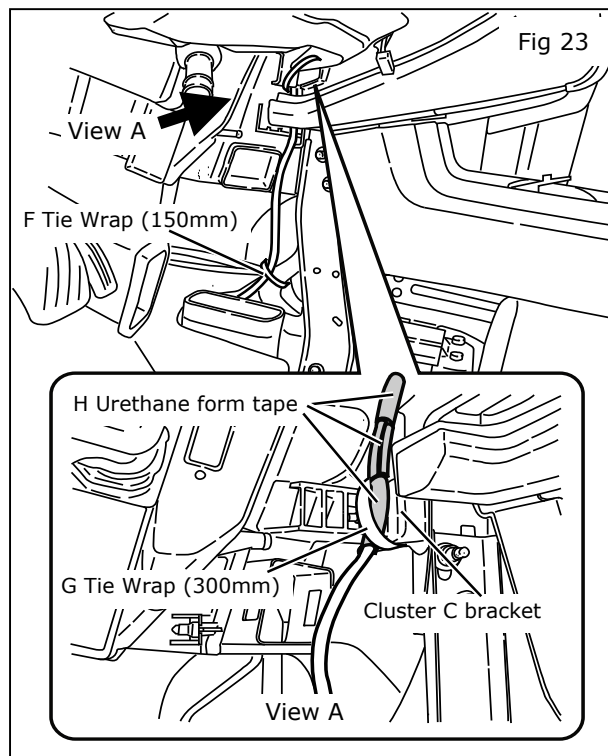
## 10. WIRING HARNESS INSTALLATION CONT'D



- 13) Attach the T-harness (E) to vehicle harness at the position shown in Fig 21, using the tie wrap (F).(3pieces)



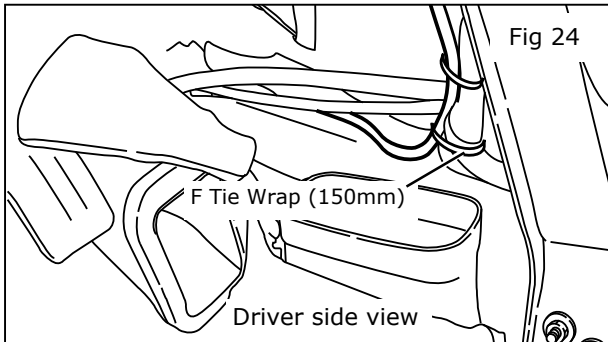
- 14) Attach the T-harness (E) at the position shown in Fig 22, using the tie wrap (300mm) (G) (1piece) and Urethane form tape (H) (1piece).



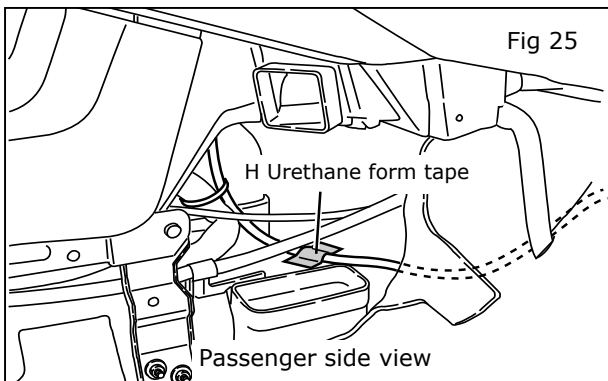
- 15) a) Route RH T-harness down LH of Cluster C.  
b) Wrap around T-harness (E) with three pieces Urethane form tape (H) to protect from damage by sharp bracket edge shown in View A.  
c) Attach the T-harness (E) to Cluster C bracket at the position shown in Fig 23 & View A, using the tie wrap (300mm)(G) (1piece).
- 16) Attach the T-harness (E) to vehicle harness at the position shown in Fig 23, using the tie wrap (150mm)(F)(1piece).

## INSTALLATION INSTRUCTIONS - Illuminated Kick Plate

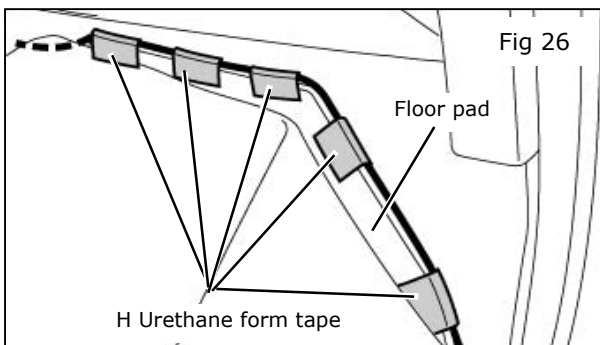
### 10. WIRING HARNESS INSTALLATION CONT'D



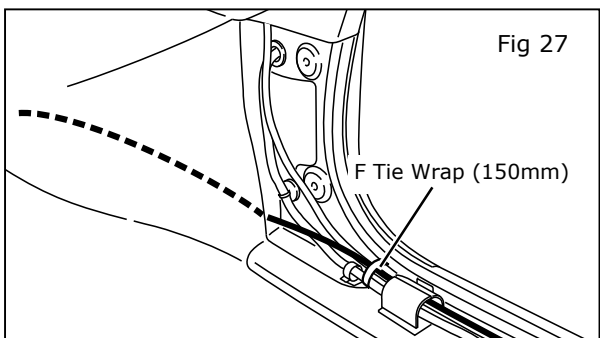
- 17) a) Route RH T-harness to RH foot well area.
- b) Attach The T-harness (E) to vehicle harness at the position shown in Fig 24, using the tie wrap (F) (1piece)



- 18) Flip the carpet of passenger side and attach the T-harness (E) to floor tunnel at the position shown in Fig 25, using the urethane foam tape (H).(1place)



- 19) Flip the carpet of passenger side and attach the T-harness (E) to floor pad at the position shown in Fig 26, using the urethane foam tape (H).(5pieces)



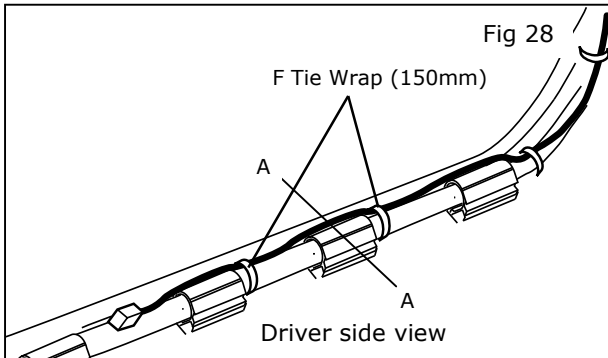
- 20) a) Route T-harness to RH side sill area.
- b) Attach the T-harness (E) to vehicle harness at the position shown in Fig 27, using the tie wrap (F).(1piece)

### **CAUTION**

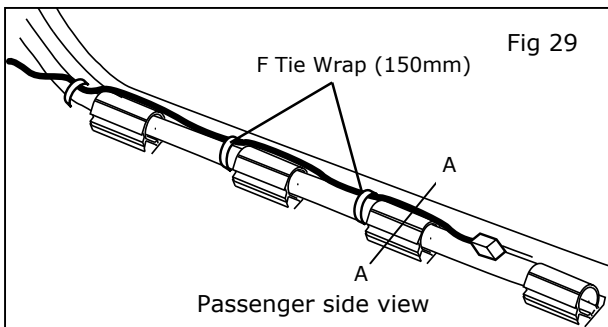
- Do not attach harness and window washer tube together with the tie wrap.

## INSTALLATION INSTRUCTIONS - Illuminated Kick Plate

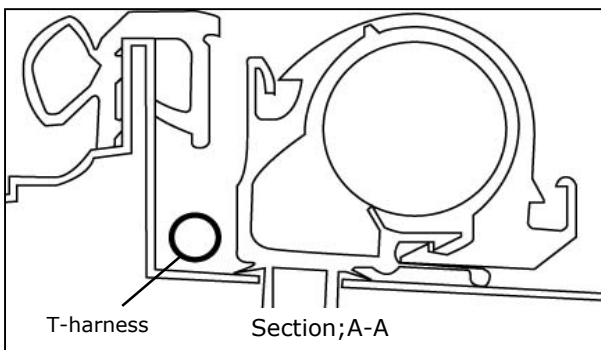
### 10. WIRING HARNESS INSTALLATION CONT'D



- 21) Route LH T-harness (E) toward left side sill as shown in Fig 28, and Section A-A.
- 22) Attach the T-harness (E) at the position shown in Fig 28, using the tie wrap (F). (2 places)



- 23) Route RH T-harness (E) toward right side sill as shown in Fig 29, and Section A-A.
- 24) Attach the T-harness (E) to vehicle harness at the position shown in Fig 29, using the tie wrap (F). (2 pieces)

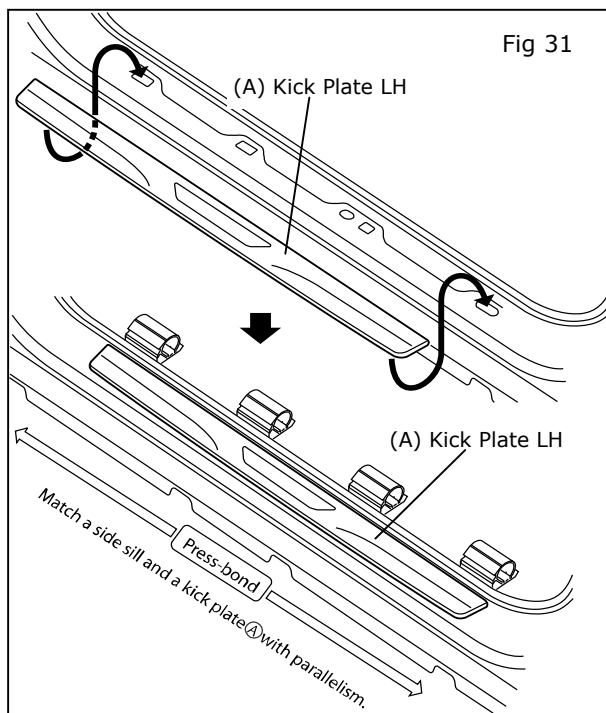
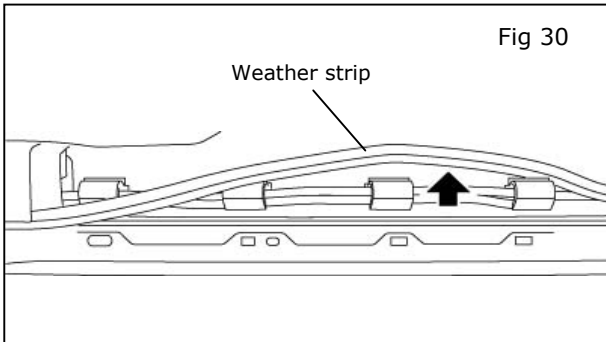


### CAUTION

- Do not attach harness and window washer tube together, with the tie wrap.

## INSTALLATION INSTRUCTIONS - Illuminated Kick Plate

- 11. FRONT KICK PLATE INSTALLATION** The procedure below shows the installation for RH side. Repeat procedure for LH side.



- 1) Remove the vehicle weather strip near the kick plate (A) attachment location shown in Fig30.
- 2) Clean the attachment area of kick plate (A) with soapy water.
- 3) Dry area with soft non linting towel.
- 4) Clean area with 50/50 alcohol water solution and let dry for 30 seconds.
- 5) Pull the adhesive tape liner pull tab to remove liner from all locations.
- 6) Align clip on part to first and fifth hole on vehicle from front side.
- 7) apply minimum 11lb(49N) of pressure along the part to attach tape to body shown in Fig 31.

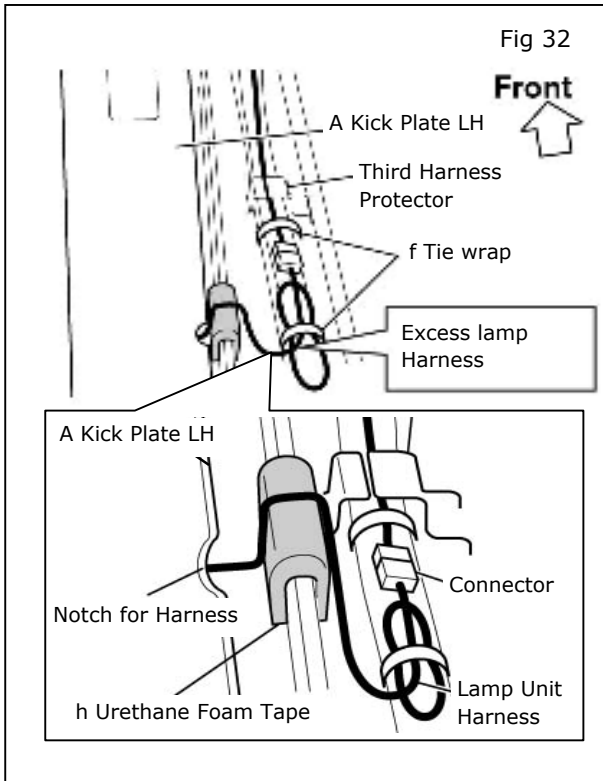
### **CAUTION**

- Use caution when applying pressure as the surface may dent.
- During installation, be careful not to allow the harness to get stuck between the vehicle and the kick plate.
- Harness should be routed through the notched area of the kick plate.

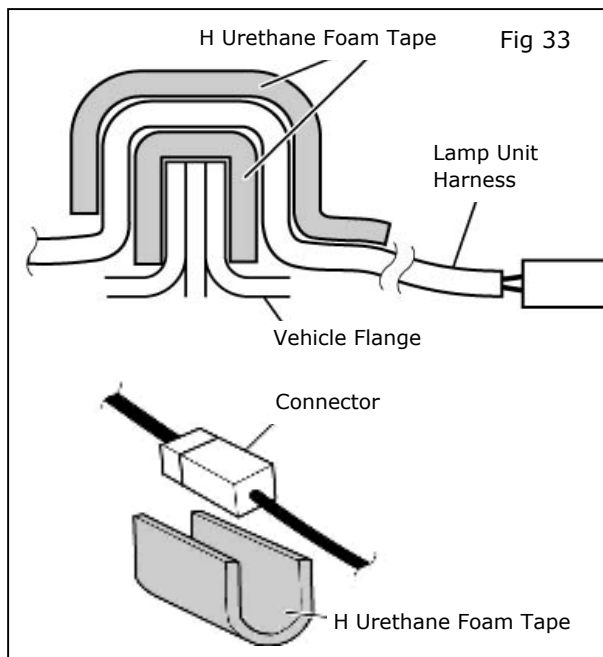
## INSTALLATION INSTRUCTIONS - Illuminated Kick Plate

### 12. HARNESS CONNECTION INSTALLATION

The procedure below shows the installation for RH side. Repeat procedure for LH side.



- 1) Clean both sides of the attachment area for the urethane foam tape (H) with the 50/50 alcohol & water solution. Let dry for 30 seconds. Shown in Fig32.



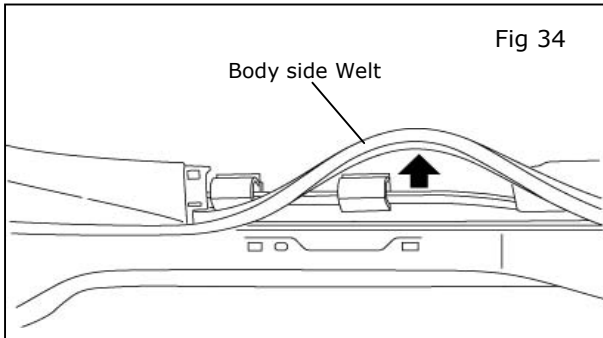
- 2) Attach the urethane foam tape (H) to vehicle flange shown in Fig32,33.
- 3) Place the lamp harness on top of the urethane foam tape (H), then apply second half of the urethane foam tape (H) on top of the harness. shown in Fig 33.
- 4) Connect the connectors and apply the urethane foam tape (H) on the connecting section shown in fig32,33.
- 5) Attach excess lamp harness to the vehicle harness with a tie wrap (F) shown in Fig32.
- 6) Cut excess tie wrap.

### ⚠ CAUTION

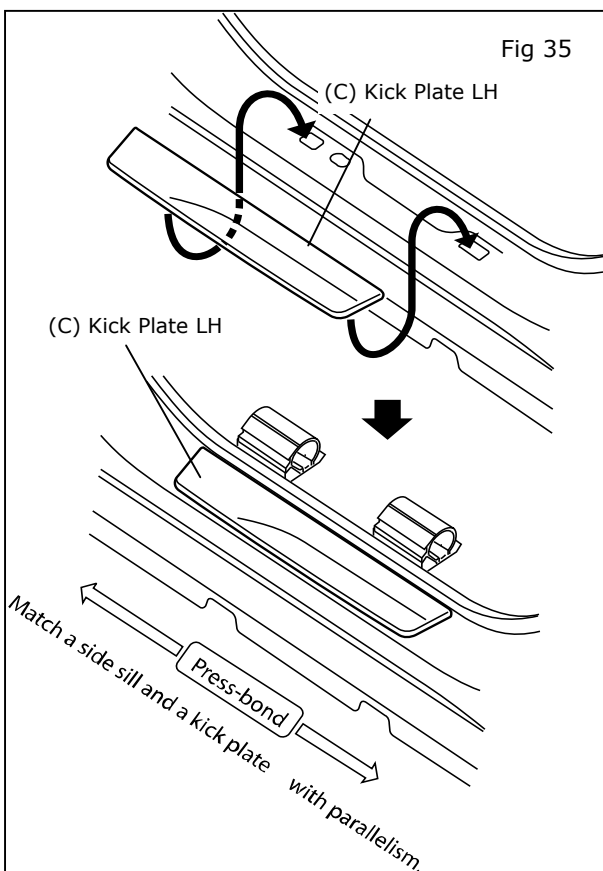
- Do not attach the harness to sharp metal edge.

## INSTALLATION INSTRUCTIONS - Illuminated Kick Plate

- 13. REAR KICK PLATE INSTALLATION** The procedure below shows the installation for RH side.  
Repeat procedure for LH side.



- 1) Remove the vehicle weather strip near the kick plate (A) attachment location shown in Fig34.
- 2) Clean the attachment area of kick plate (A) with soapy water.
- 3) Dry area with soft non linting towel.
- 4) Clean area with 50/50 alcohol & water solution and let dry for 30 seconds.



- 5) Pull the adhesive tape liner pull tab to remove liner from all other locations.
- 6) Align clip on part to first and third hole on vehicle from front side.
- 7) Apply minimum 11lb(49N) of pressure along the part to attach tape to body shown in Fig 35.

### **CAUTION**

- Use caution when applying pressure as the surface may dent.
- During installation, be careful not to allow the harness to get stuck between the vehicle and the kick plate.
- Harness should be routed through the notched area of the kick plate.

## INSTALLATION INSTRUCTIONS - Illuminated Kick Plate

### 13. CHECK AFTER INSTALLATION

- 1) Please check that the installation has no problem.
- a) confirm connection of connector
  - b) confirm whether wire harness is fixed.
  - c) confirm no part moving which will cause rattling noise.
  - d) confirm T-harness is protected from damage by sharp bracket edges.

### 14. FUNCTION CHECK

- 1) Re-connect battery negative terminal.
- 2) Confirm "MURANO" text is illuminated when either door is in the opened position.

### 15. REINSTALLATION OF REMOVED PARTS

- 1) All removed vehicle parts have been reinstalled.

#### CAUTION

- Use caution when re-installing interior components to avoid damage, scratch, or breaking of mounting clips.

- 2) Clean interior of vehicle.

### 16. VEHICLE CHECK

- 1) Remove all tools from the vehicle.
- 2) Inspect reinstalled interior trim parts for proper panel fit.
- 3) Turn ignition to ON position.
- 4) Reset radio presets to the recorded setting.
- 5) Confirm proper radio operation.
- 6) Initialize sun roof, and power window operation.
- 7) Confirm proper operation of the rear window washer fluid.
- 8) Turn ignition to off position.

#### CAUTION

- During restoring, please use caution so as not to cause the stacking of the vehicle's harness, or damage any parts.