



GENUINE PARTS

INSTALLATION INSTRUCTIONS

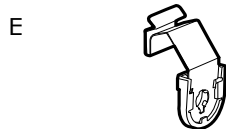
DESCRIPTION: Side Window Deflector

APPLICATION: Versa Sedan(2012)

PART NUMBER: H0800-3BA00

KIT CONTENTS:

Item	Qty.	Part Description	Service Part Number
A	1	Front Door Side Window Deflector - RH	---
B	1	Front Door Side Window Deflector - LH	---
C	1	Rear Door Side Window Deflector - RH	---
D	1	Rear Door Side Window Deflector - LH	---
E	8	Bracket	---
F	1	Installation Instruction Replacement Template	---



TOOLS REQUIRED:

- 90% or greater alcohol
- Masking tape
- Tape measure or scale
- Clean, lint-free cloth

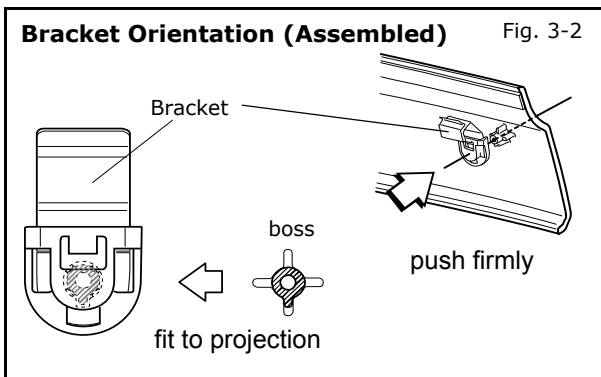
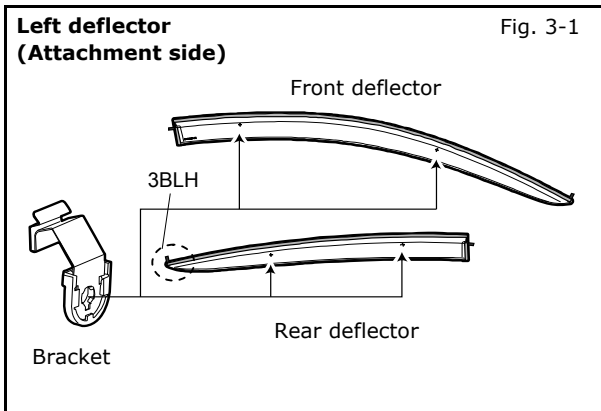
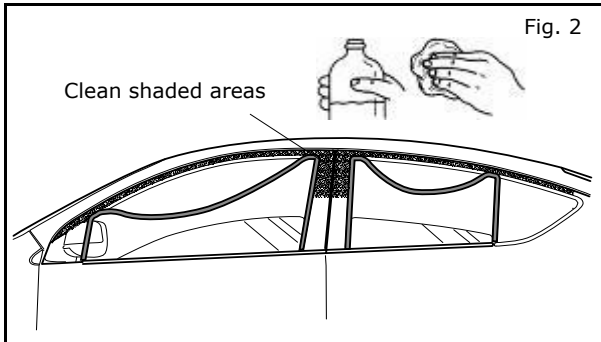
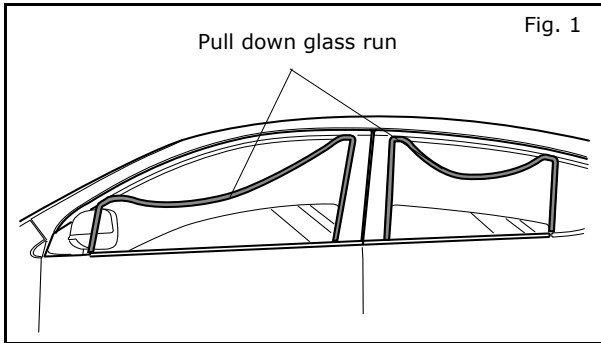
PRE-INSTALLATION WARNINGS, CAUTIONS, CRITICAL STEPS, and NOTES:

- Dealer Installation Recommend.
- These instructions are for left side of vehicle; same procedure applies to right side.

CAUTION

- **Install the Side Window Deflector when the ambient temperature is above 60°F (15°C).**
- **Do not wash or expose vehicle to a wet environment for 24 hours after installing Side Window Deflector.**

INSTALLATION PROCEDURE:



- 1) Lower windows completely.
- 2) Pull down upper portion of glass run.

- 3) Using a clean, lint free cloth and 90% alcohol, wipe any dirt and oil from the installation surface. Let area dry thoroughly.

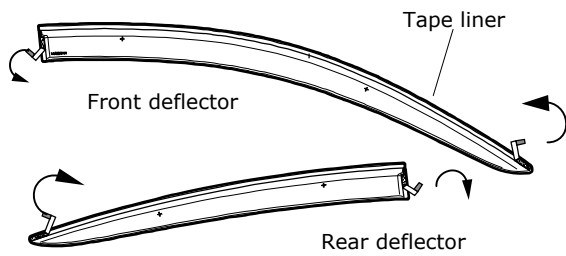
- 4) Assemble brackets to window deflector by pushing brackets firmly against boss on backside of deflector at marked locations.

NOTE:
Once brackets are installed, they can not be removed. Be sure that brackets are installed on proper.

INSTALLATION PROCEDURE:

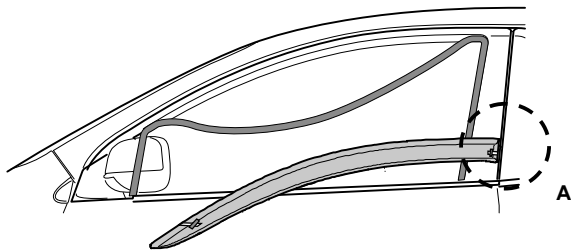
Left deflector (Assembled)

Fig. 4

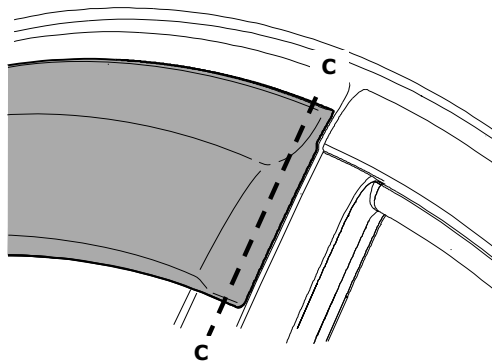


- 5) Peel back 20~30 mm of tape liner from double sided tape at each pull tab on front and rear deflector.
- 6) Fold tape liners onto deflector front surface and secure with masking tape to ensure that tape liners are accessible.

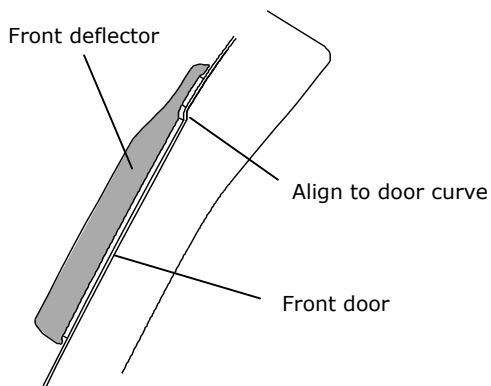
Fig. 5



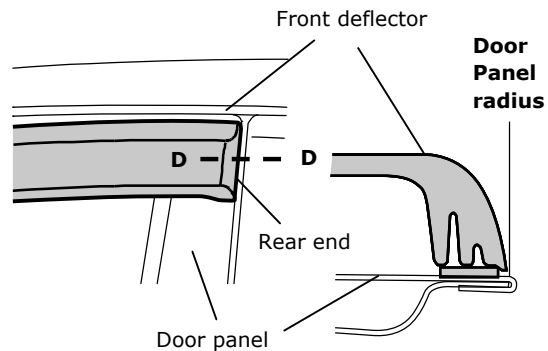
- 7) Install front deflector.
 - a) Attach brackets to front door.
 - b) Align front deflector rear end to front door curve (See Detail A-1) and align deflector rear end to door panel radius (See Detail A-2) and tack deflector in place.



Detail A-1



Section C-C

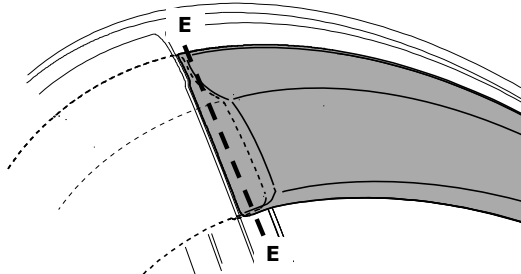
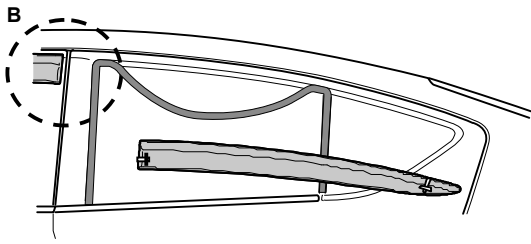


Detail A-2

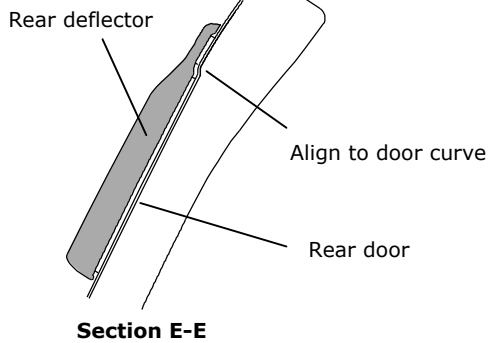
Section D-D

INSTALLATION PROCEDURE:

Fig. 6

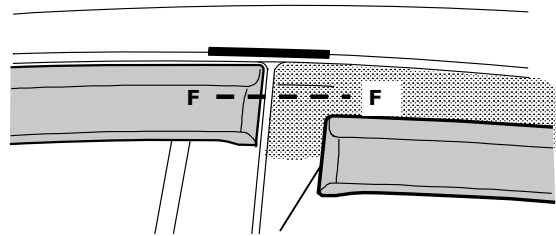


Detail B-1



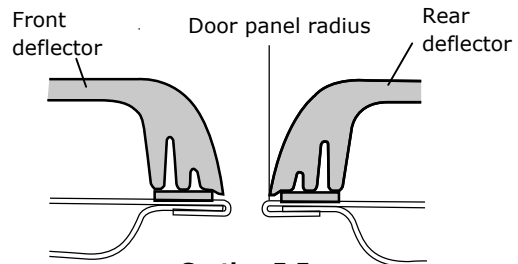
Section E-E

- 8) Install rear deflector.
 - a) Attach brackets to rear door.
 - b) Align rear deflector front end to rear door curve (See Detail B-1) and align deflector front end to door panel radius (See Detail B-2) and tack deflector in place.



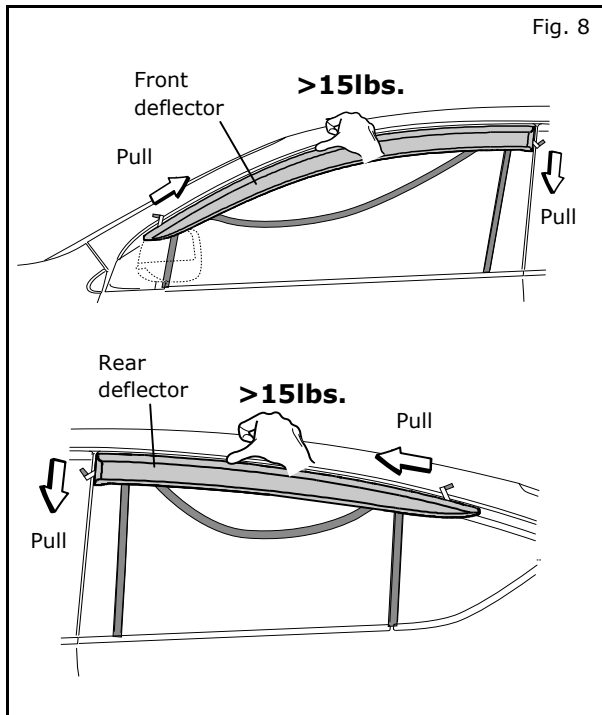
Front end

Detail B-2



Section F-F

INSTALLATION PROCEDURE:



- 9) Remove tape liners and apply at least **15lbs. of pressure** to front and rear deflectors to ensure proper adhesion.

NOTE:

Remove tape liners slowly and carefully. If you remove vigorously, tape liners may break.

- 10) Re-install glass runs. Refer to vehicle service manual for more details if necessary.
- 11) Repeat all steps for right side.

FINAL INSPECTION:

- Open and close window to confirm that windows are functioning properly.
- Verify exterior is not damaged.