



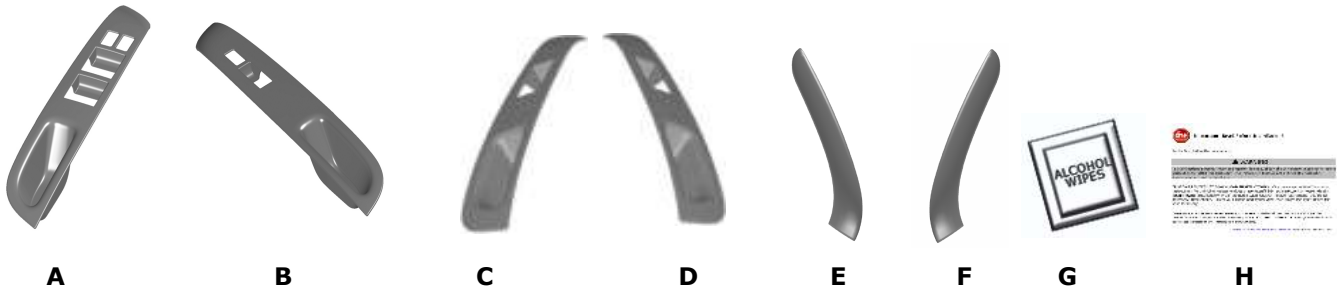
# GENUINE PARTS

## INSTALLATION INSTRUCTIONS

**DESCRIPTION:** Interior Appliqué  
**APPLICATION:** Nissan Versa Hatch Back (2013)  
**PART NUMBER:** 999G3 4Z100, 999G3 4Z101

### KIT CONTENTS:

Item	Qty.	Description
A	1	Door Switch Finisher - FR LH
B	1	Door Switch Finisher - FR RH
C	1	Door Switch Finisher - RR LH
D	1	Door Switch Finisher - RR RH
E	1	Cluster Finisher - LH
F	1	Cluster Finisher - RH
G	5	Alcohol wipe
H	1	Instruction Replacement Template



### TOOLS REQUIRED:

- None.

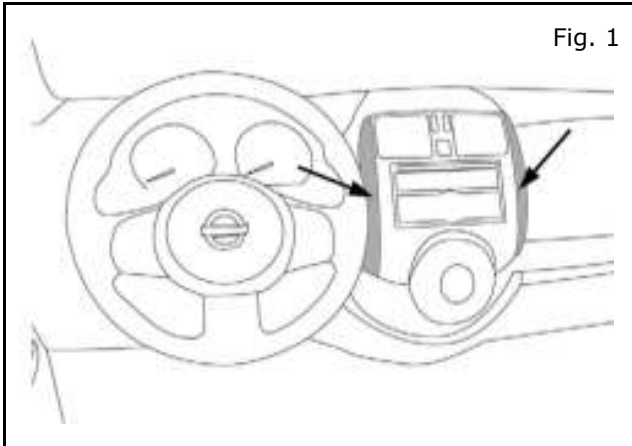
### PRE-INSTALLATION WARNINGS, CAUTIONS, CRITICAL STEPS, and NOTES:

- Read the installation sheet and check the entire kit for possible damage or defects before performing any work.
- Always dry fit parts before removing the adhesive liners to ensure proper fit, alignment, and component location. Kit contents are labeled to indicate proper location.

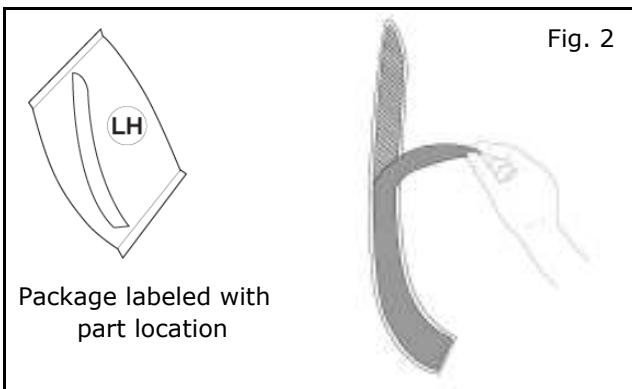
## CAUTION

- Do not touch the tape side with your fingers to avoid contaminating the tape and reducing adhesion strength.
- These parts are to be installed when the ambient temperature is between 60°F - 80°F, (16°C - 26 °C).
- Do not wash or expose the vehicle to a wet environment for 24 hours after installing the Center Console Appliqué.
- The tape will set in 15-20 seconds after the installation.
- Do not reposition the appliqués once the tape has started to set/adhere to vehicle.

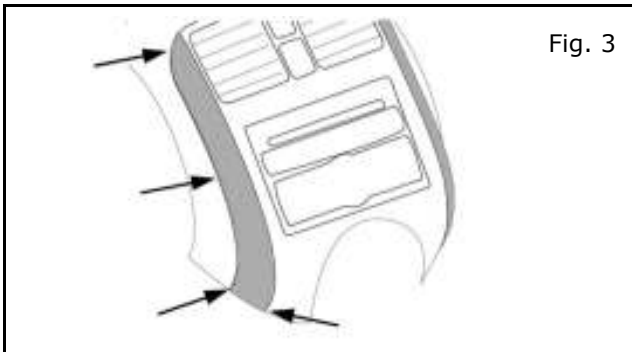
## INSTALLATION PROCEDURE:



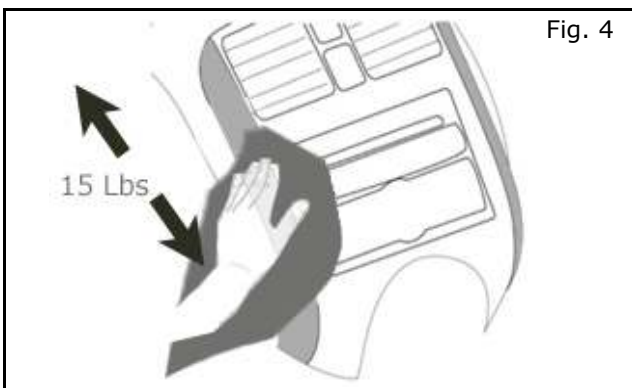
- 1) Use an alcohol wipe to clean the indicated areas on the vehicle where the cluster finishers (LH and RH) are to adhere.  
(Fig. 1)



- 2) Locate left side cluster on vehicle and cluster finisher - LH from the kit.  
(Fig. 2)
- 3) Dry fit part before removing the adhesive liner to establish correct part orientation.
- 4) Remove adhesive liner from back of cluster finisher - LH.  
(Fig. 2)

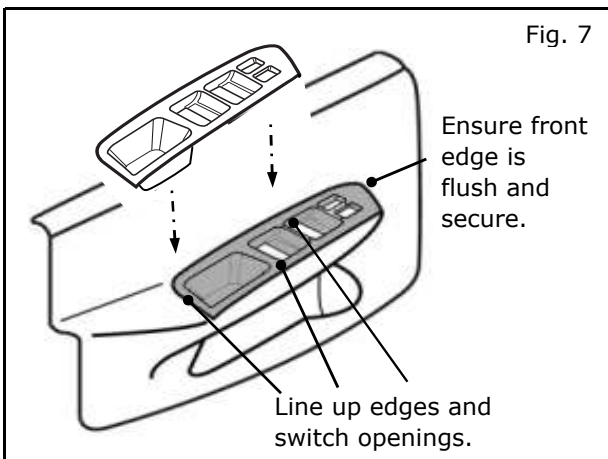
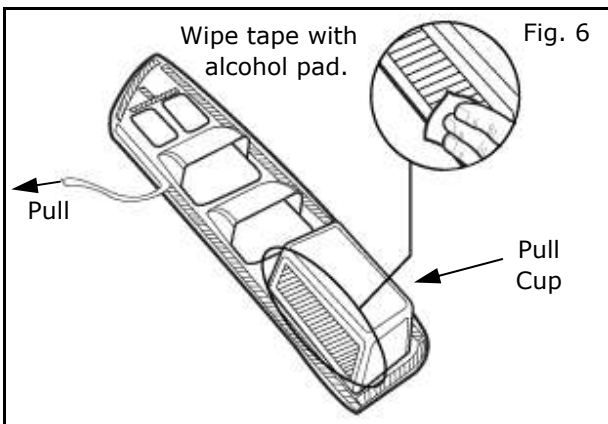
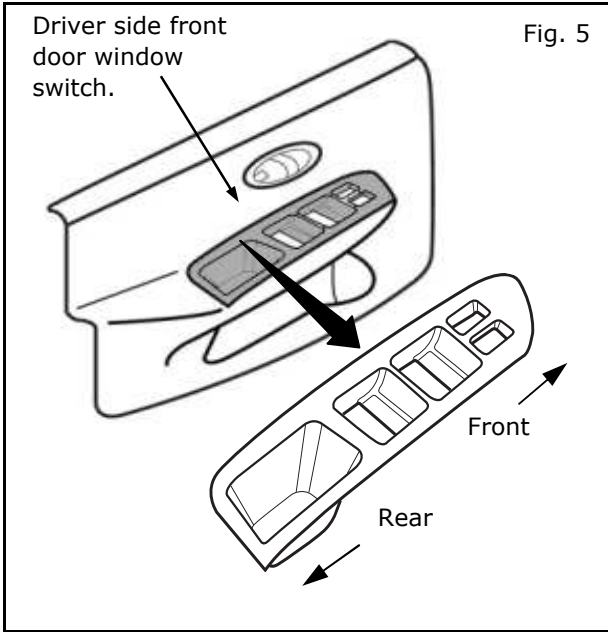


- 5) Carefully and lightly place part in upper corner first aligning cluster finisher with center edge groove. Push down toward front of vehical: do not drag with hand towards the floor  
(Fig. 3)



- 6) Once cluster finisher - LH is adjusted to the correct position, use clean towel and apply minimum 15lbs of pressure over entire surface, for at least 30 seconds.  
(Fig. 4)
- 7) Repeat steps 2) through 6) for cluster finisher - RH.

**INSTALLATION PROCEDURE:**



8) Locate driver side front window switch on vehicle and door switch finisher, remove rubber from bottom of cup and discard. FR LH from the kit. (Fig. 5)

9) Dry fit part before removing the adhesive liner to establish correct part orientation.

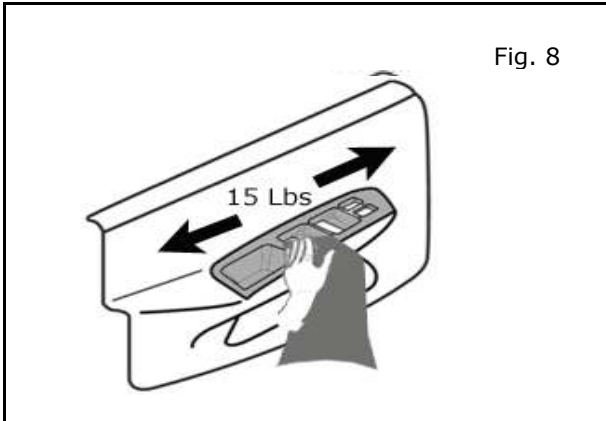
10) Remove all adhesive liners from back of the door switch finisher - FR LH. (Fig. 6)

11) Use an alcohol wipe to clean the area of the vehicle where this appliqué is to adhere.

12) While using a new section of the alcohol wipe, wipe exposed tape on the pull cup to assist ease of installation. (Fig.6)

13) Carefully and lightly place part in position by dropping it straight down without bending or twisting. Once in place, make sure all switches operate correctly with no obstructions. (Fig. 7)

## INSTALLATION PROCEDURE:



- 14) Once door switch finisher - FR LH is adjusted to the correct position, use clean towel and apply minimum 15lbs of pressure over entire surface, for at least 30 seconds.  
(Fig. 8)
- 15) Repeat steps 8 to 14 for remaining door switch finishers.

## FINAL INSPECTION:

- Verify vehicle parts are not soiled.
- Verify interior is not damaged.
- Confirm all window and door lock control mechanisms work properly.