



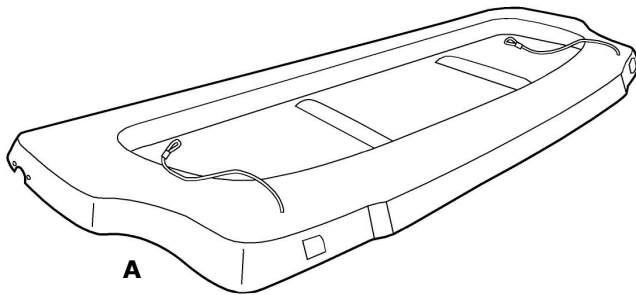
# GENUINE PARTS

## INSTALLATION INSTRUCTIONS

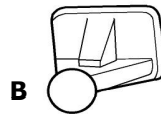
<b>DESCRIPTION:</b>	Rear Cargo Cover
<b>APPLICATION:</b>	Versa Note
<b>PART NUMBER:</b>	999J4 4Z000

### KIT CONTENTS:

Item	Qty.	Part Description	Service Part Number
A	1	Rear Cargo Cover	79910 3VY0A
B	2	Tether Clip	79916 D1000
C	1	Installation Instruction Replacement Template	999V2 AW000



A



B



C

### TOOLS REQUIRED:

- No tools required

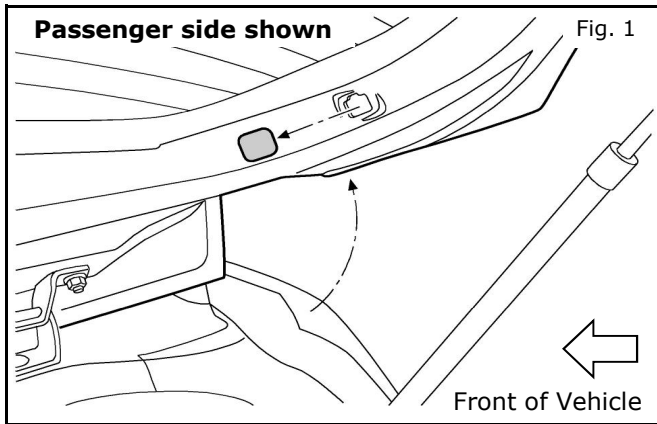
### PRE-INSTALLATION WARNINGS, CAUTIONS, CRITICAL STEPS and NOTES:

- Dealer Installation Recommended. Instructions may refer to Service Manual.

## WARNING

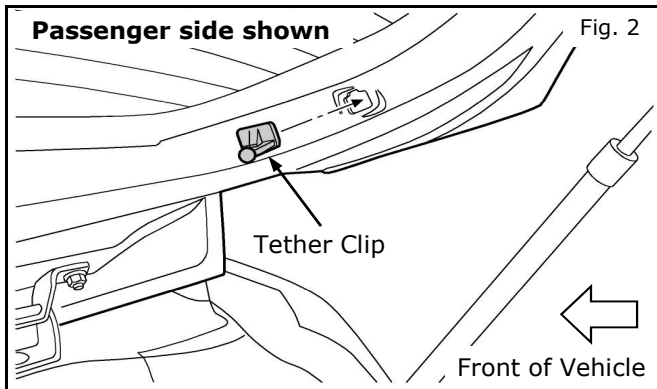
- Properly secure all cargo with ropes or straps to help prevent it from sliding or shifting. Do not place cargo higher than the seatbacks. In a sudden stop or collision, unsecured cargo could cause personal injury.

## INSTALLATION PROCEDURE:

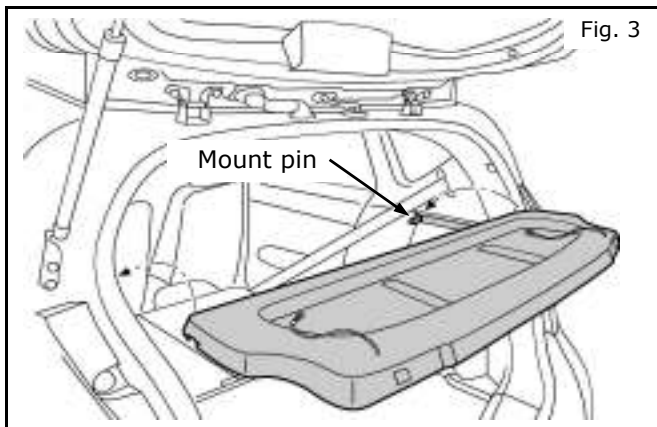


1) Open hatch door and remove hole covers near edge of window. (Passenger side shown)

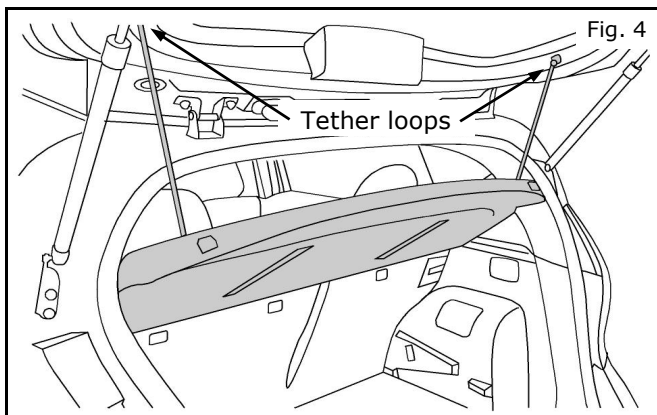
2) Fold rear seats forward.



3) Insert Tether Clips into mounting holes. (Passenger side shown)



4) Position slots of cargo cover over mount pins located in luggage side trim and snap cover onto pins.



5) Attach tether loops to clips on both sides of hatch door.

6) Return seats to upright position.

7) Close hatch door.

Note: Be sure the hatch cover is operating smoothly.