

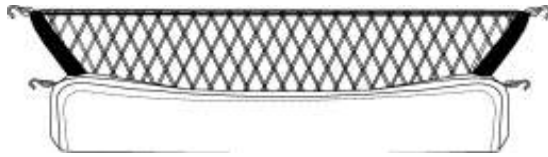


# GENUINE PARTS

## INSTALLATION INSTRUCTIONS

<b>DESCRIPTION:</b>	Hide-Away Trunk Net Kit
<b>APPLICATION:</b>	Altima
<b>PART NUMBER:</b>	999C1 U2000

<b>KIT CONTENTS:</b>			
Item	Qty.	Part Description	Service Part Number
A	1	Trunk Net	
B	4	Loop Style Clip	84937 CA002
C	1	Installation Instruction Replacement Template	



A



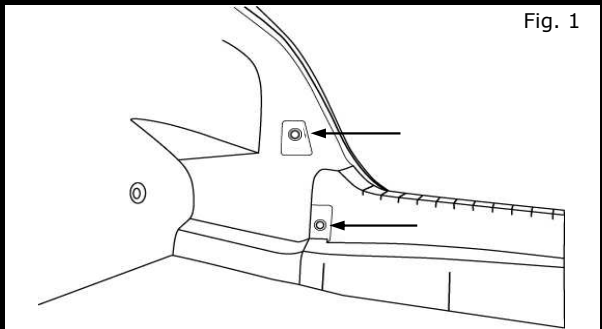
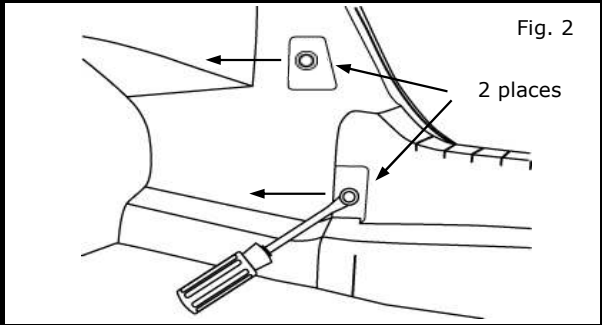
B



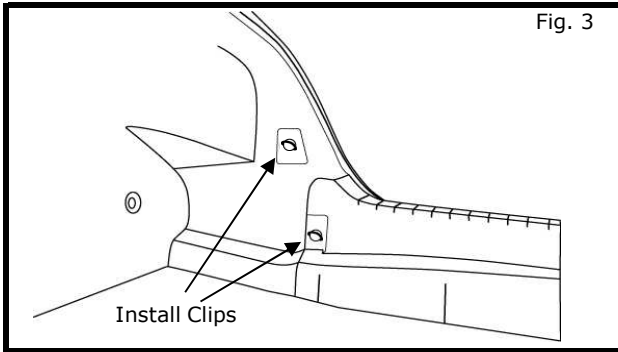
C

<b>TOOLS REQUIRED:</b>
<ul style="list-style-type: none"> <li>Flat Head Screw Driver</li> </ul>

<b>PRE-INSTALLATION WARNINGS, CAUTIONS, CRITICAL STEPS, and NOTES:</b>
<ul style="list-style-type: none"> <li>Ensure that net is securely attached so items do not fall out during transit.</li> <li>Keep this installation instruction sheet with the Vehicle Owner's Manual for future reference.</li> <li>Max load not to exceed 30 lbs.</li> </ul>

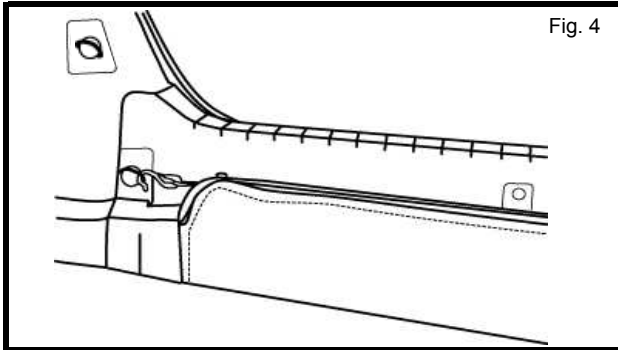
<b>INSTALLATION PROCEDURE:</b>	
 <p>Fig. 1</p>	<p>1) Locate 4 attachment points in cargo area (passenger side shown).</p> <p><b>NOTE:</b> If your vehicle is already equipped with a side cargo net, only 2 clips on passenger side need to be replaced.</p>
 <p>Fig. 2</p> <p>2 places</p>	<p>2) In 2 places, use flat head screw driver to pry out center portion of passenger side trim clip. Once center is partially out, trim clip can be fully removed.</p>

## INSTALLATION PROCEDURE:

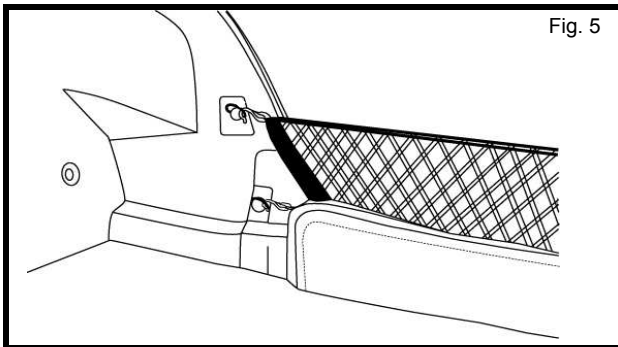


- 3) Install Loop Style Clip.
  - a) "Pop-out" center portion of clip.
  - b) Position pointed end of clip in hole.
  - c) When fully seated, push in center to secure clip.

Repeat steps 2 and 3 for driver's side only if loop style clip is not already installed.



- 4) Position pouch so hooks are toward rear of the vehicle and attach to lower clips (passenger side shown).



- 5) Unzip top of pouch, unfold cargo net and attach hooks to upper clips (passenger side shown).

- 6) To store cargo net in pouch, leave lower hooks attached, detach upper net hooks, fold cargo net into hide-away pouch and zip closed.