

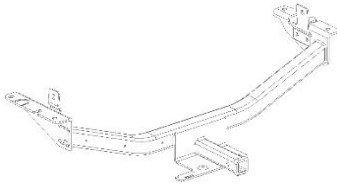


## GENUINE PARTS

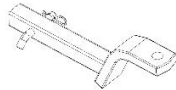
### INSTALLATION INSTRUCTIONS

<b>DESCRIPTION:</b>	Tow Hitch Receiver Kit
<b>APPLICATION:</b>	Rogue (2014 MY) And Later Including HEV Vehicles
<b>PART NUMBER:</b>	Tow Hitch Receiver (999T5 G2300) Installation of this accessory requires installation of additional Nissan genuine part(s): <ul style="list-style-type: none"> <li>• Wire Harness (999T8 G2000)</li> <li>• Class I Hitch Ball (999T5 VT010)</li> </ul>
<b>NOTE:</b>	<b>Wire Harness Pre-wiring is not standard. Please check the Accessory Application Chart at your local dealership to determine vehicle application.</b>

KIT CONTENTS:			
Item	Qty.	Part Description	Service Part Number
A	1	Tow Hitch Receiver	999T5 G2010
B	1	Ball Mount Kit	999T5 G2150
C	7	M12 X 1.25MM X 30MM HVY HEX BOLT WITH FLANGE	81-B4230-5M
D	1	M12 X 1.25MM X 35MM HVY HEX BOLT WITH FLANGE	81-B4235-5M
E	1	Hitch Cap	999T5 G2200
F	1	M12 Washer (Used only on 2WD unit)	N/A
G	1	Installation Instruction Replacement Template	N/A



A



B



C



D



E



F



G

TOOLS REQUIRED:	
<ul style="list-style-type: none"> <li>• Socket Wrench</li> <li>• 9" Socket Extension</li> <li>• 17mm Socket</li> </ul>	<ul style="list-style-type: none"> <li>• 19mm Socket</li> <li>• Torque Wrench</li> <li>• Safety Glasses</li> </ul>

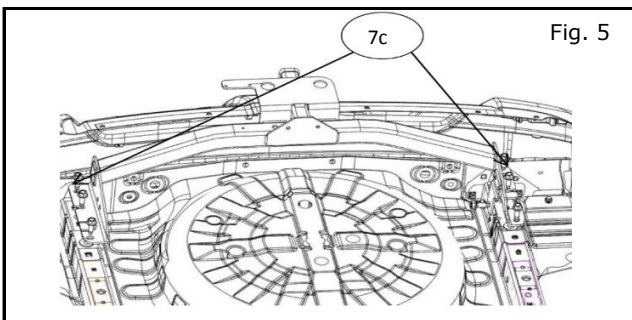
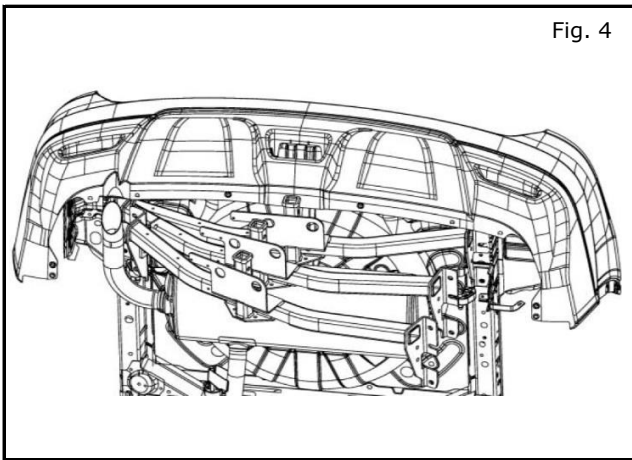
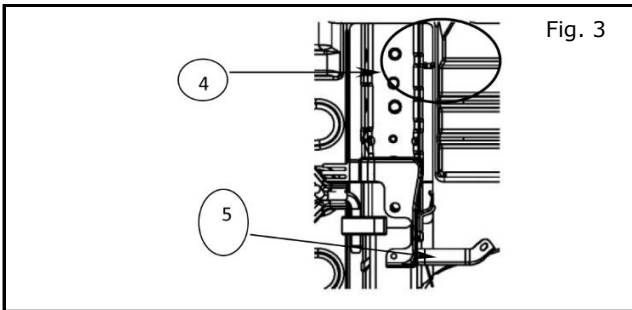
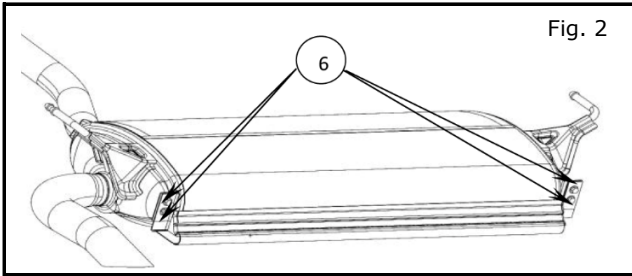
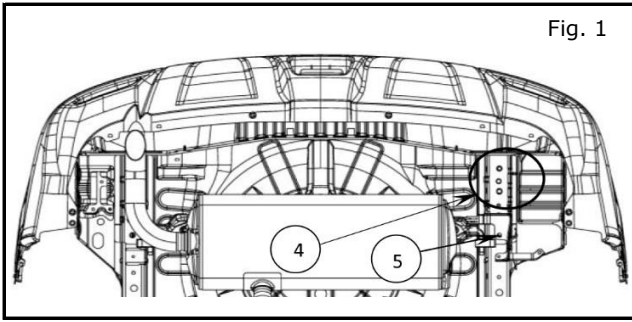
**PRE-INSTALLATION WARNINGS, CAUTIONS, CRITICAL STEPS, and NOTES:**

- Dealer Installation Recommended.
- This product complies with SAE J684 V-1

** CAUTION**

- See owners manual for vehicle towing rating.
- Make sure that vehicle back door is closed before beginning.
- Be careful of sharp edges and hanging components when under vehicle.
- Bolts must be tightened according to the specified torque values.
- Ensure kit components are properly stowed when not in use. Improperly stowed components could become a projectile and result in serious personal injury during a collision or sudden stop.

## INSTALLATION PROCEDURE:



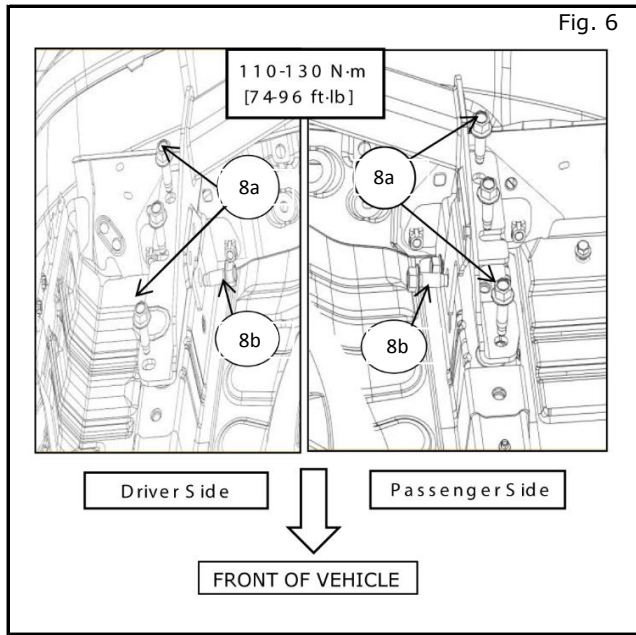
- 1) Raise and secure vehicle on lift.
- 2) Wait until muffler is no longer hot.
- 3) Remove protective cover from fascia 4 clips (each side).
- 4) Remove factory tow hook shown in Fig. 1 and Fig. 3 (if Installed).
- 5) Remove center bolt from evap canister shown in Fig. 1 and Fig. 3.
- 6) Remove Muffer diffuser bracket from muffler as shown in Fig. 2 (4 bolt attachment) (if installed).

### **⚠ WARNING**

**Metal brackets on both sides of muffler have very sharp edges and corners. To avoid injury, exercise extreme caution while installing the trailer hitch.**

- 7) Raise hitch into position (Requires two persons).
  - a) Rotate hitch and move driver side mount bracket under tailpipe, aligning slot to bolt as shown in Fig 4.
  - b) Move passenger side mount bracket into position and align hitch with holes in vehicle frame.
  - c) Install 2 bolts(C) (1 RH/1 LH) into slotted holes as shown in Fig 5.
  - d) Hand tighten both fasteners.

## INSTALLATION PROCEDURE:



- 8) Fasten trailer hitch to body rails using supplied fasteners.
  - a) Loose install 2 additional bolts (1 RH / 1 LH) to secure hitch to vehicle shown in Fig 6, hand tighten.
  - b) Install 2 additional bolts (1 RH / 1 LH) to secure hitch to vehicle shown in Fig 6.

### NOTE:

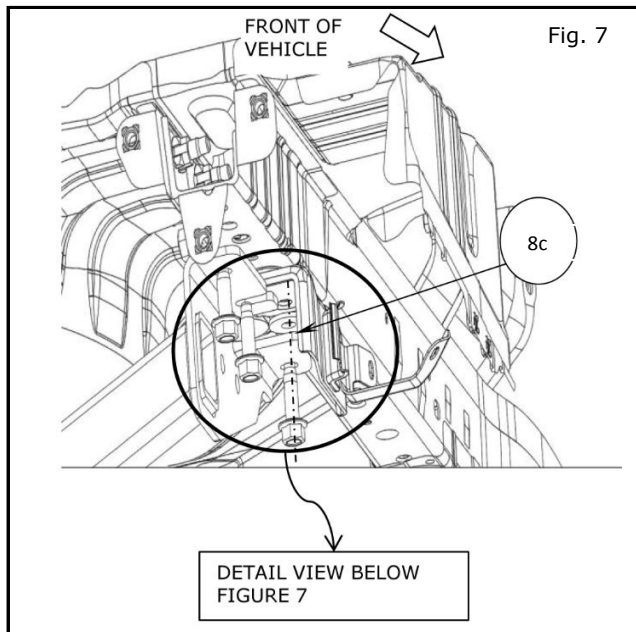
**ALL WHEEL DRIVE VEHICLES PROCEED TO STEP 9.**

- c) Insert spacer/washer between hitch mount bracket and canister bracket. As shown in Fig. 8

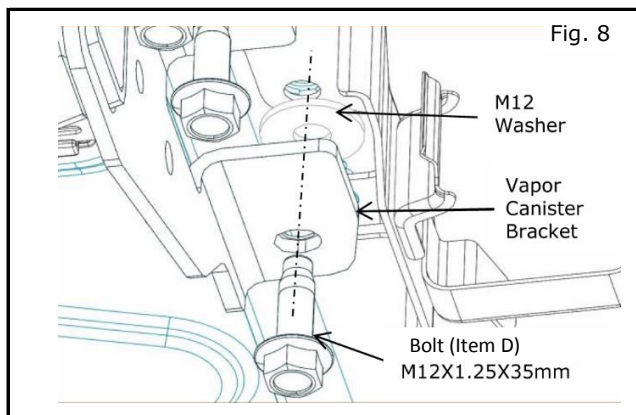
Line up all three holes (hitch bracket, spacer and canister bracket) then insert one M12 bolt (Item D) through all three holes. As shown in Fig 7 and Fig. 8.  
**(Two wheel drive vehicles only)**

## CAUTION

**Ensure using item D (M12X35mm long) bolt in this location. Failure to use the proper bolt might cause fastener to come loose during operation.  
(Two wheel drive vehicles only)**



- 9) Using torque wrench, tighten 8 bolts to bottom floor surface to 100-130 N.m [74-96 ft.lb]

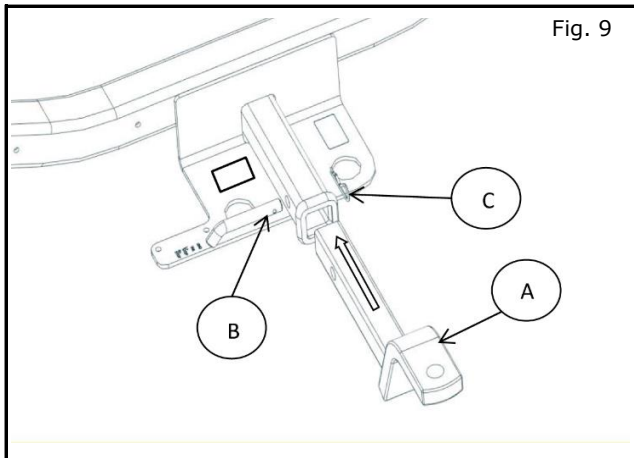


- 10) Install wire harness per harness installation instructions.
- 11) Check hitch for proper installation.
- 12) Reinstall protective fascia cover 5 clips each side.
- 13) Lower and remove vehicle from lift.
- 14) Install hitch cap.

## CAUTION

**Do not re-install muffler diffuser or tie down brackets after hitch installation is complete.**

## INSTALLATION PROCEDURE:



### Ball Mount Kit Installation Procedure.

- 1) Insert ball mount A into receiver opening.  
As shown in Fig 9.
- 2) Align holes on receiver tube with holes on ball mount and slide pin B through opening.
- 3) Insert clip C through holes in pin.  
Make sure that clip is securely fastened.