



## GENUINE PARTS

### INSTALLATION INSTRUCTIONS

<b>DESCRIPTION:</b>	Nose Mask
<b>APPLICATION:</b>	Versa Note
<b>PART NUMBER:</b>	999N1 42HDS

#### KIT CONTENTS:

Item	QTY	Part Description
A	1	Nose Mask
B	5	Squarehead Retainers
C	5	Snap Screws
D	1	Installation Instructions Replacement Template

#### TOOLS REQUIRED:

- Scissors
- Phillips Screwdriver
- Flathead Screwdriver

#### PRE-INSTALLATION CAUTIONS/NOTES:

- The area to be covered by the mask must be free of dirt. The flannel surface of the nose mask must be especially clean.
- Both the vehicle and the mask must be completely dry. If moisture is present under the mask and is allowed to dry, it may cause the paint to cloud. If mask gets wet, remove and allow to dry completely.
- Any repainted surface in contact with mask must be completely cured.
- DO NOT pull the mask from any of the openings when installing the mask. This may result in DAMAGE to your mask.
- If the nose mask should flap due to high speed or wind conditions, stop car and adjust or remove mask.

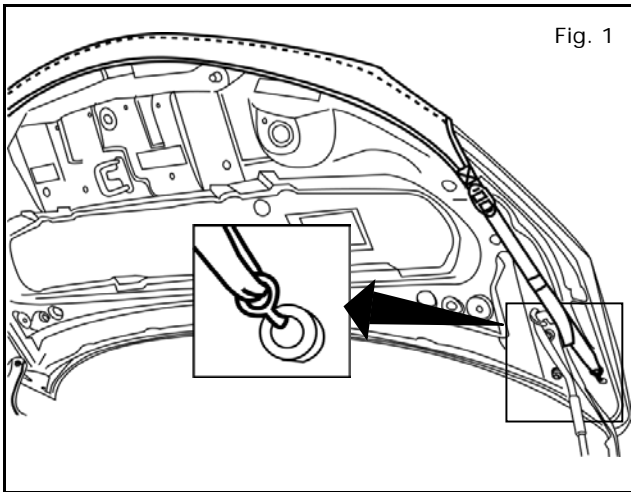
#### CARE OF NOSE MASK:

- To clean the vinyl and flannel backing, use a cleaner such as "409" or "Fantastic".
- The vinyl surface may be cleaned by simply spraying the cleaner onto the vinyl and wiping off with a cloth or sponge.
- To clean the flannel backing, liberally spray the cleaner on the area to be cleaned. If heavily soiled, use a cloth or sponge with the cleaner and rub the soiled area gently. Repeat if necessary. Rinse completely with clear water when finished. Hang to dry, but not in direct sunlight. Before installation, ensure both the vehicle and the nose mask are completely dry. If there is moisture under the nose mask and it is not allowed to dry, paint clouding can occur.

### CAUTION

Attach all elastics with hooks and clips carefully and securely. Accidental release may cause injury.

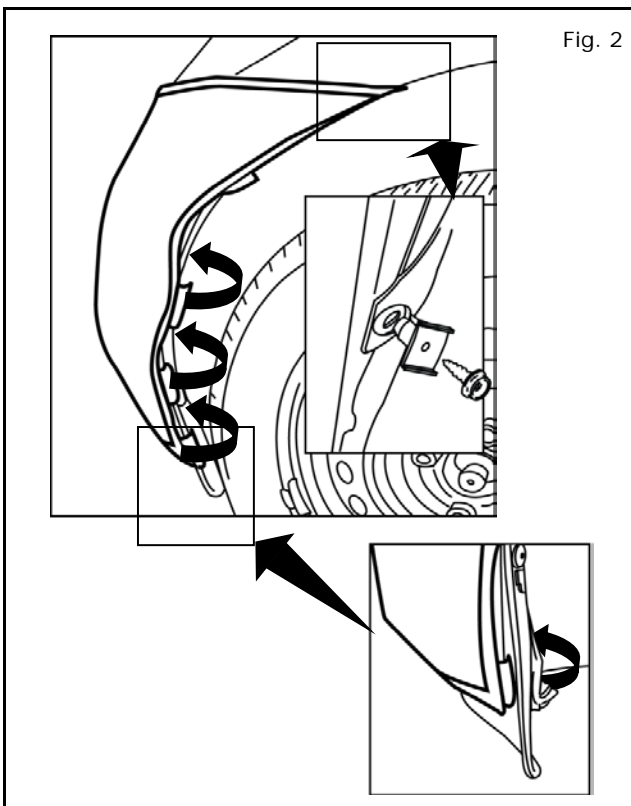
## INSTALLATION PROCEDURE:



- 1) Open hood and place mask over hood edge.
- 2) Attach hook to hole on underside of hood, gently tighten strap to keep hook in hole and repeat on other side.
- 3) Fully tighten straps so that seam is completely under hood.

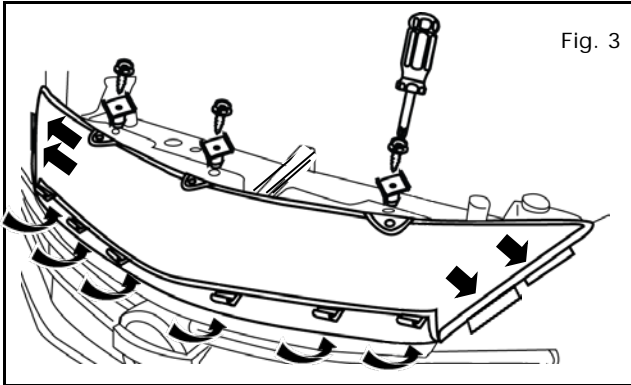
### NOTE:

**Buckle should be in recess between holes.**

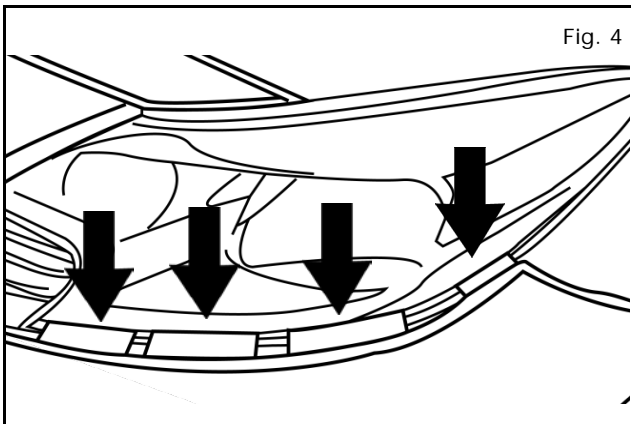


- 4) Remove license plate and license plate bracket (if applicable).
  - a) Remove 2 license plate screws.
  - b) Remove 2 license plate bracket screws.
- 5) Remove clip from upper wheel well.
- 6) Replace clip with squarehead retainers.
- 7) Snap nose mask onto newly attached hardware.
- 8) Repeat steps 5 through 7 on other side.
- 9) Pull mask down.
- 10) Attach 3 clips to inside edge of fascia.
- 11) Repeat step 10 on other side.

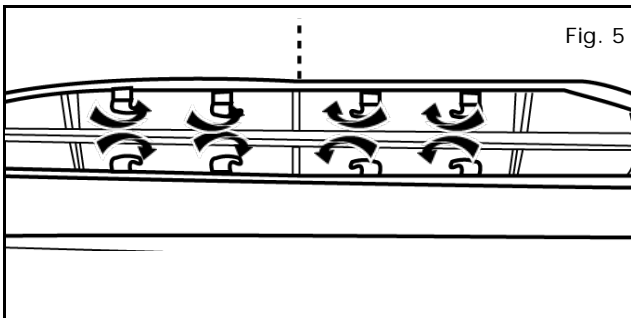
**INSTALLATION PROCEDURE:** (continue)



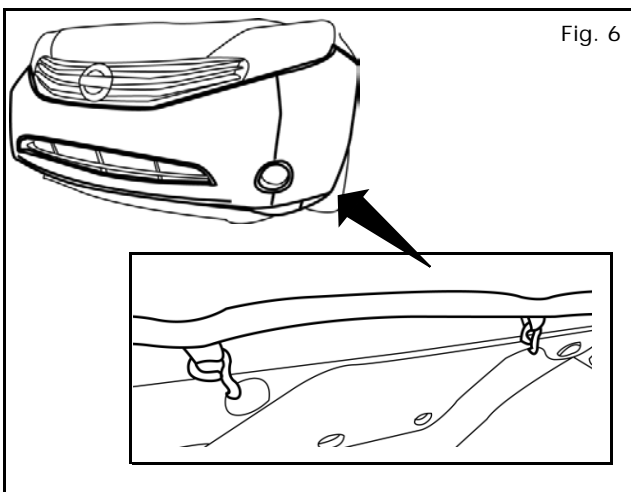
- 12) Using a flathead screwdriver remove (3) push pins from upper fascia under hood.
- 13) Replace push pins with squarehead retainers.
- 14) Screw snap screws into retainers.
- 15) Snap mask onto newly attached hardware.
- 16) Attach bottom clips to fascia above grille.
- 17) Insert pads into gaps at sides of headlamps.



- 18) Insert 3 pads into gap between headlight and front fascia and 1 pad between headlight and fender. Repeat for the other side.



- 19) Attach 8 clips to front lower grille.



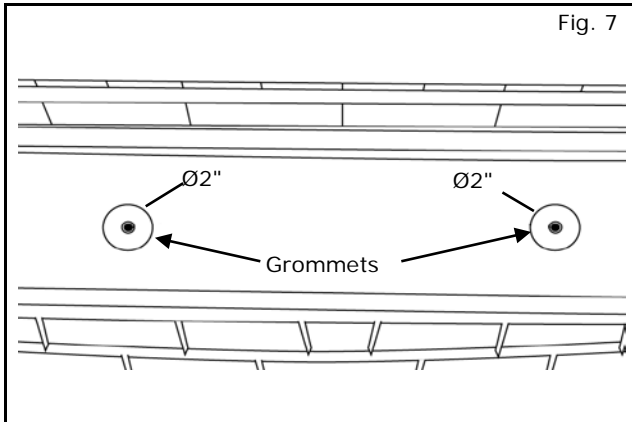
- 20) Attach 2 hooks to underside of vehicle fascia on each side.

**INSTALLATION PROCEDURE:** (continue)

- 21) Reinstall clips in wheel wells if necessary.
- 22) Reinsert pads under headlamps and adjust for smooth fit.

**NOTE:**

**If vehicle has a license plate bracket, perform steps 23-25.**



- 23) Poke holes through mask into center license plate brackets grommets.
- 24) Cut clearance holes (1"-2") so that license plate bracket pads will rest on fascia.
- 25) Reinstall license plate bracket and plate.