



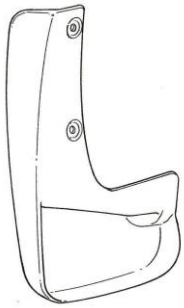
GENUINE PARTS

INSTALLATION INSTRUCTIONS

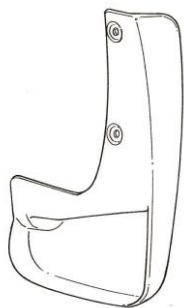
DESCRIPTION: Splash Guard-Front
APPLICATION: Titan, without over fender
PART NUMBER: 999J2 W4103

KIT CONTENTS:

Item	Qty.	Part Description	Service Part Number
A	1	Splash Guard - Front Right	999J2 W4106
B	1	Splash Guard - Front Left	999J2 W4105
C	6	Philips Head Screw - 20mm	14-51 00891
D	1	Installation Instruction Replacement Template	N/A



A



B



C



D

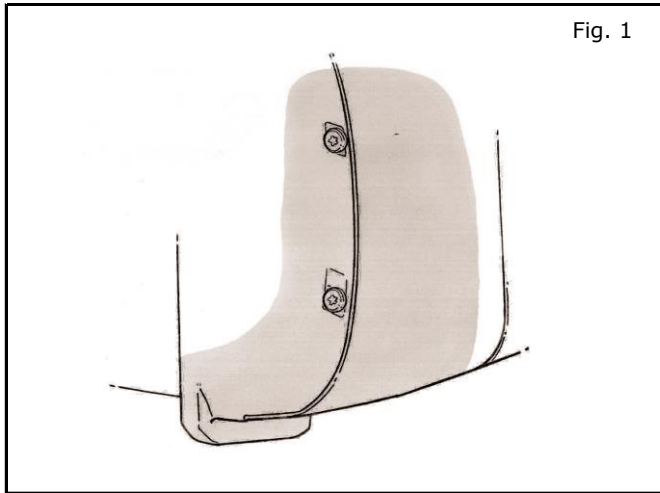
TOOLS REQUIRED:

- clean rag
- soap & water
- #2 phillips screw driver

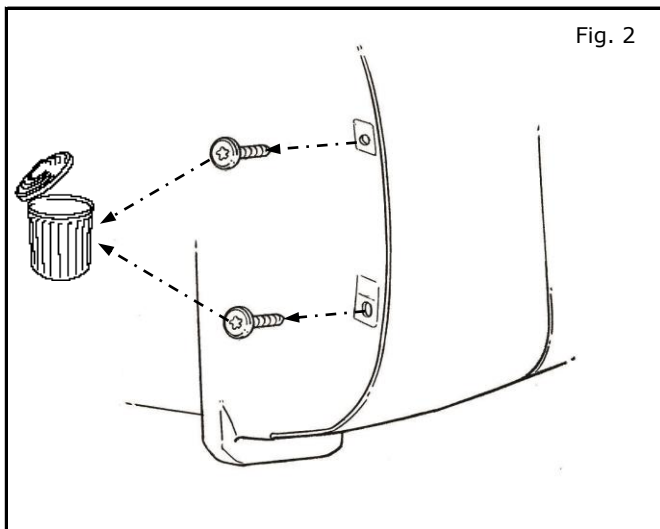
PRE-INSTALLATION WARNINGS, CAUTIONS, CRITICAL STEPS, and NOTES:

- These installation instructions are for the left side of the vehicle; the same procedure applies to the right side.
- Dealer Installation Recommended.
- Parts to be installed at room temperature.

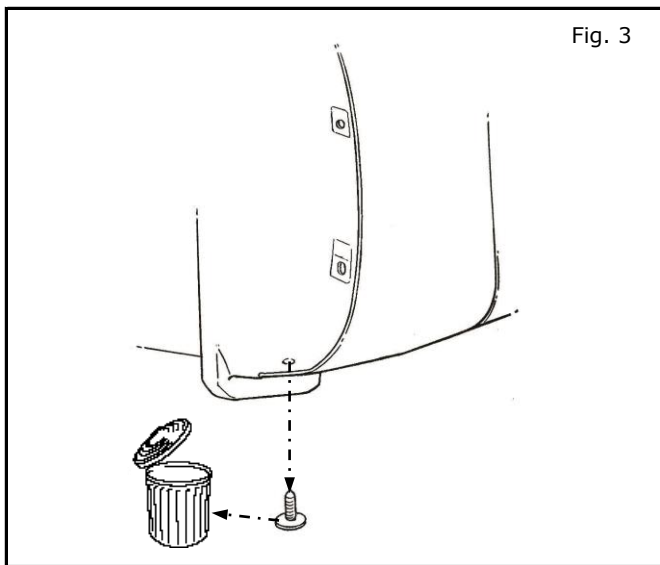
INSTALLATION PROCEDURE:



1) Clean shaded area with soap and water mixture and dry.

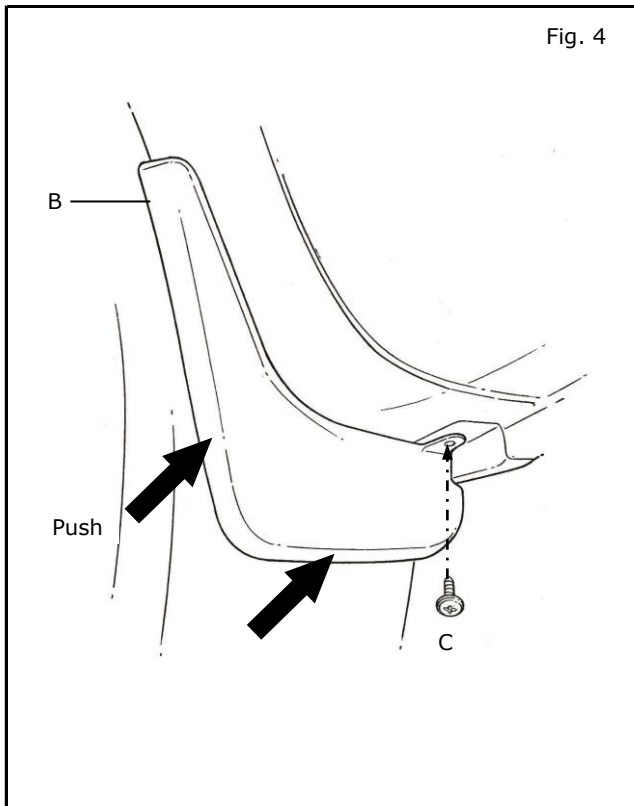


2) Remove existing screws - 15mm and discard.



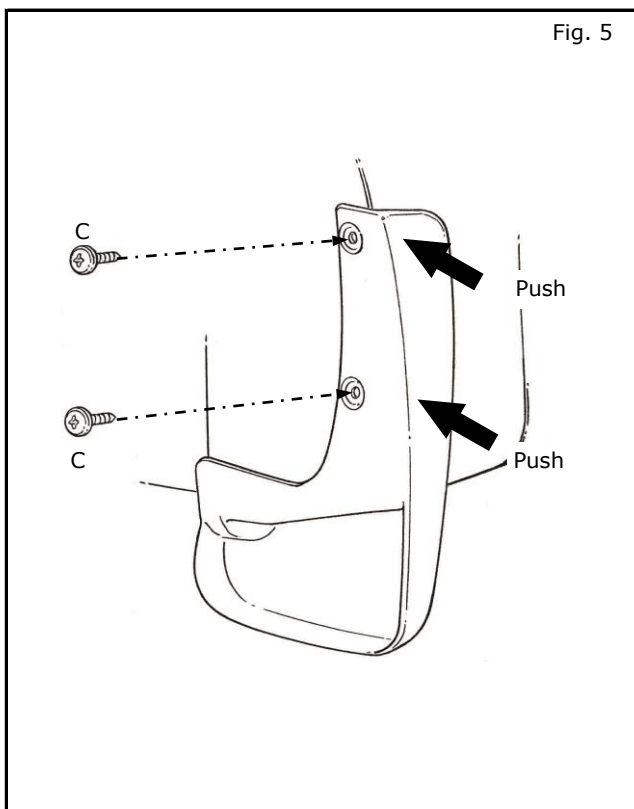
3) Remove existing lower screw - 15mm and discard.

INSTALLATION PROCEDURE: (continue)



- 4) Align front splash guard to vehicle.
- 5) Hold splash guard up and into vehicle and install supplied screw- 20mm (C) in lower mount tab hole and tighten.

NOTE:
Do not over tighten screw. Reference Tighten Torque: 3.8~4.4N-m {34~39 in-lb}



- 6) Install supplied screws - 20mm (C) in middle then top hole, push up and into vehicle while tightening.

NOTE:
Do not over tighten screw. Reference Tighten Torque: 3.8~4.4N-m {34~39 in-lb}