



GENUINE PARTS

INSTALLATION INSTRUCTIONS

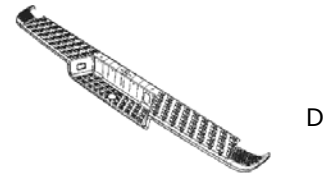
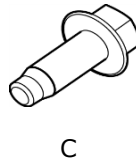
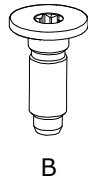
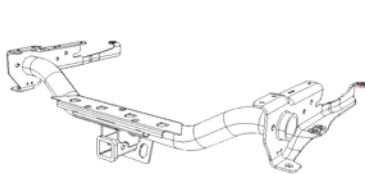
DESCRIPTION: Tow Hitch Receiver Kit

APPLICATION: Titan

PART NUMBER: 999T5 W3110

KIT CONTENTS:

Item	Qty.	Part Description	Service Part Number
A	1	Tow Hitch Receiver	999T5 W3100
B	6	M10 x 1.5 x 30lg Torx Bolt (Used for Bumper Shell)	N/A
C	12	M12 x 1.25mm x 53 mm HVY Hex Bolt with Flange	N/A
D	1	MLDG-RR BMPR (W/7 pin)	N/A
E	1	Installation Instruction Replacement Template	N/A
F	2	Relays for Fuse Box	25230-79917
G	1	Relays for Fuse Box	25230-7996A
H	1	Trailer Tow 7-Pin Connector	N/A



Important: Read Before Installation!

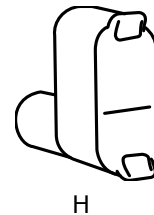
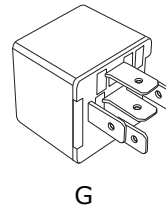
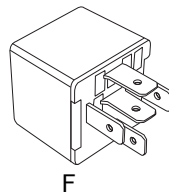
Dealer Installation Recommended.

WARNING
To avoid serious personal injury or property damage, obtain the Installation Instructions before attempting to install this accessory. The Installation Instructions provide the necessary procedures for a safe installation.

CUSTOMER INTERNET DOWNLOAD INSTRUCTIONS: Customers can obtain Installation Instructions for 2016 or Nissan vehicles at www.nissauk.com or www.nissan-technic.com respectively. From the home page, select Accessory Instructions. Select your Model, Model Year, and Accessory Type or search for your Model, and/or Model Year, and an Accessory Type including Keyword or Part Number, then locate the Instructions for your accessory.

DEALER ASSIST DOWNLOAD INSTRUCTIONS: Dealership technicians can locate the Installation Instructions for this accessory by visiting to all dealer's "Tech Assist Instructions" tab. Always download and use latest version of the Installation Instructions.

Installation Instructions Replacement Template: 999T5 W3110 Rev. 04/2012



TOOLS REQUIRED:

- Safety Glasses
- 1/4 in. or 3/8 in. Drive Socket Wrench
- 4" Socket Extension
- Pry Bar
- 1/2 in Drive Socket Wrench
- 17mm Socket
- T45 Torx Socket
- Torque Wrench

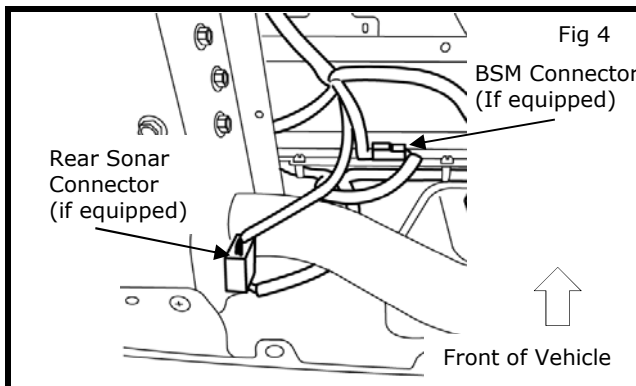
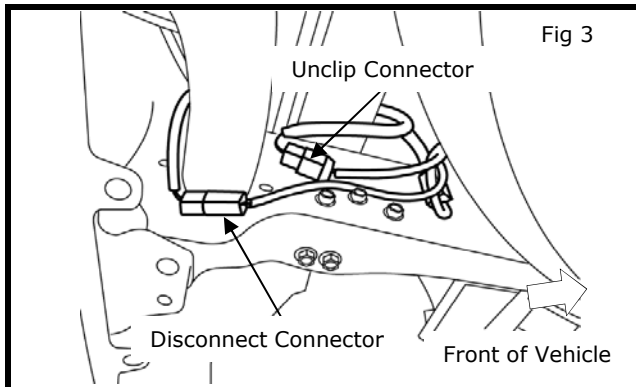
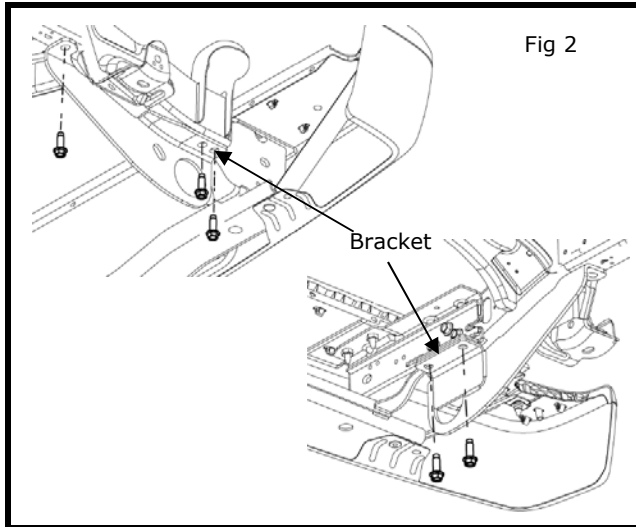
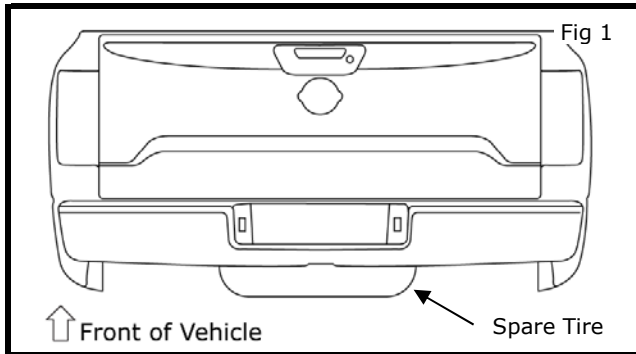
PRE-INSTALLATION WARNINGS, CAUTIONS, CRITICAL STEPS, and NOTES:

- Dealer Installation Recommended. Instructions may refer to Service Manual.

WARNING

- See owners manual for vehicle towing rating.
- Be careful of sharp edges and hanging components when under vehicle
- Bolts must be tightened according to the specified torque values

INSTALLATION PROCEDURE:

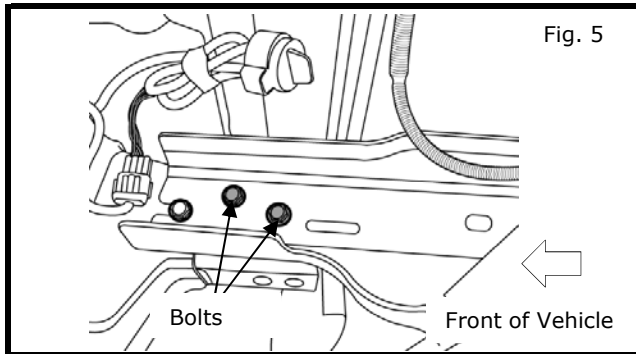


- 1) Raise and secure vehicle on lift
- 2) Remove spare tire from vehicle (Refer to owner's manual for further instruction).

NOTE: Use two people to remove rear bumper assembly from the vehicle.

- 3) Remove bracket from frame as shown (Both LH & RH sides). Discard M12 bolts.
- 4) Removal of rear bumper assembly from vehicle.
 - a) Remove two electrical harnesses from bumper mounting bracket(Drivers Side). Squeeze connector barbs on back side and pull connector off(two places). See Fig 3.
 - b) Disconnect one electrical connector (Grey/Orange) by squeezing retainer tab and pulling apart.
 - c) Disconnect BSM Connector if equipped (Passengers Side).
 - d) Disconnect rear sonar connector if equipped (Passengers Side).

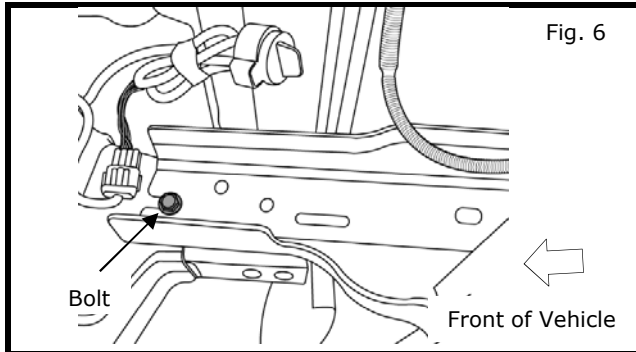
INSTALLATION PROCEDURE:



- e) Remove two rear most attachment bolts (2 Rh/2 Lh) using 17mm socket. See Fig. 5. Discard M12 bolts.

NOTE:

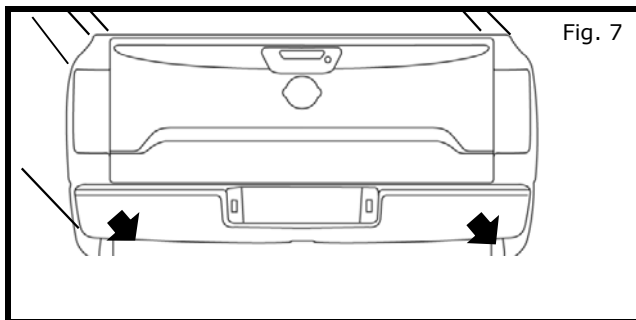
Make sure a second person is supporting the weight of rear bumper before removing bolts.



- f) Loosen forward most bolt. Do not remove bolt. Bolt will help support bumper weight until bumper is completely removed from vehicle. See Fig. 6.

NOTE:

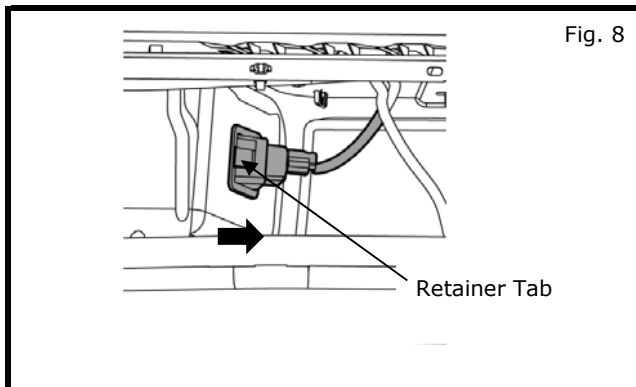
Use two people to remove rear bumper assembly from the vehicle.



- g) Fully support weight of bumper and slide bumper rearward away from vehicle. See Fig. 5. Remove and discard forward most bolts. See Fig. 7.

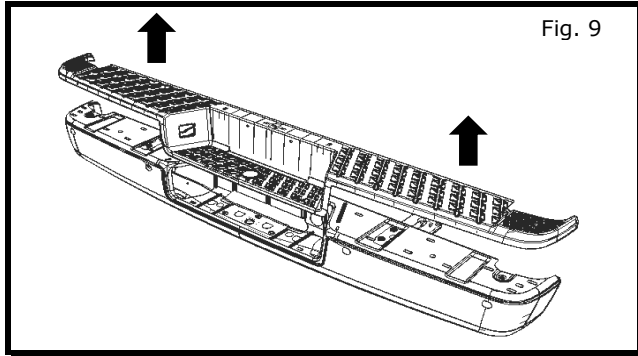
NOTE:

Place rear bumper on cardboard to protect finish of bumper.

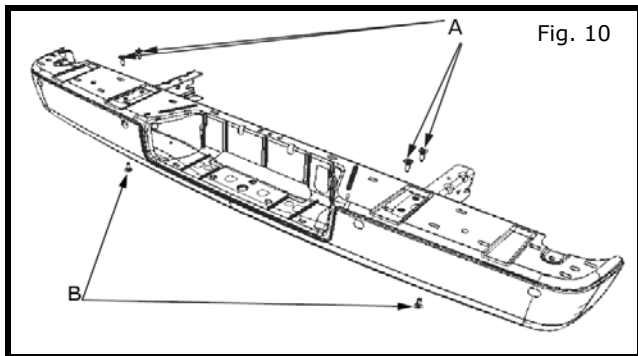


- 5) Removal of step pad:
a) Remove license plate lamps from bumper shell by pressing retainer tab and pushing lamp through the bumper shell (2 places). See Fig. 8.

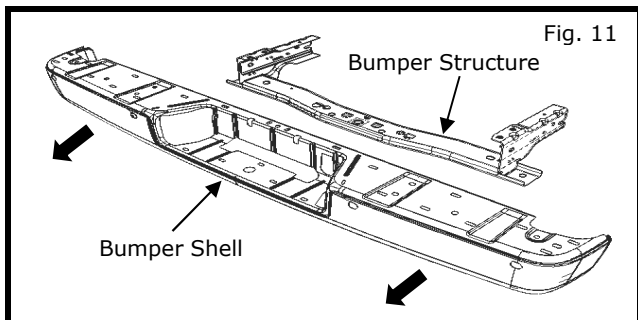
INSTALLATION PROCEDURE: (continued)



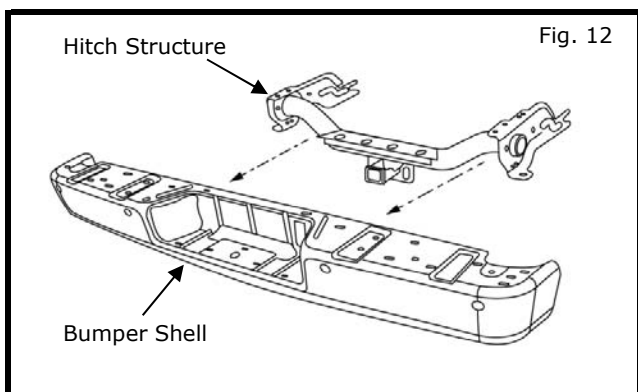
- b) Using pry bar, remove plastic step pad from bumper shell and discard. Be careful not to scratch bumper surface during this process. See Fig. 9.



- 6) Removal of Bumper Structure:
 - a) Remove four torx head bolts (A) from top of bumper shell using T45 torx socket. See Fig. 10. Discard Torx bolts.
 - b) Remove two torx head bolts (B) from bottom of bumper shell using T45 torx socket. See Fig. 10. Discard Torx bolts.

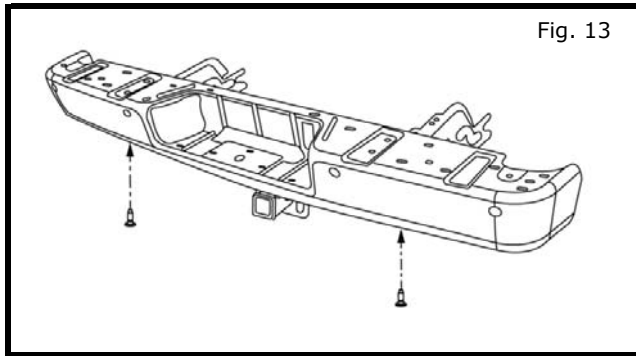


- c) Slide bumper shell off of bumper structure. See Fig. 11. Bumper structure can be discarded.

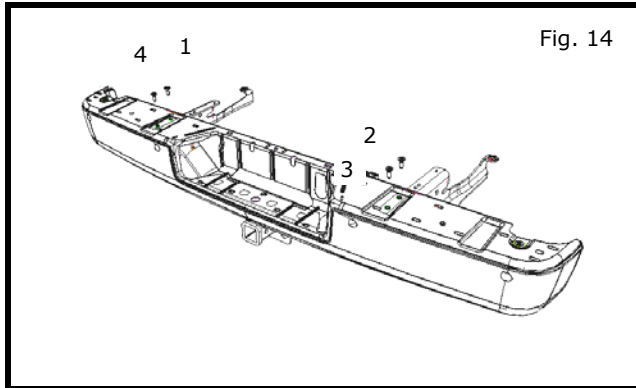


- 7) Installation of Hitch Structure
 - a) Slide bumper shell over Hitch Structure. See Fig. 12.

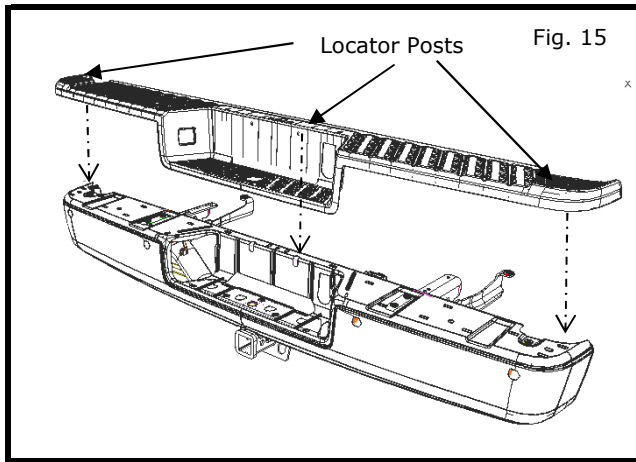
INSTALLATION PROCEDURE: (continued)



- b) Install two M10 torx bolts into bottom of Bumper/Hitch assembly. Using T-45 torx socket torque bolts to 35 +/- 5 Nm. See Fig. 13.

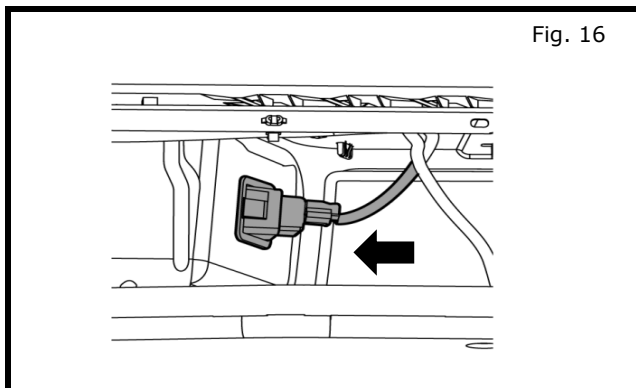


- c) Loose install four M10 torx bolts into top of Bumper/Hitch assembly. Following the torque sequence in Fig. 14, torque bolts to 35 +/- 5 Nm



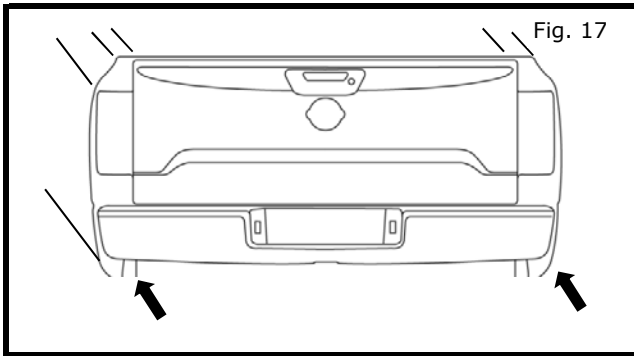
- 8) Installation of step pad.
 - a) Line up center locator post on step pad with center hole on bumper shell. Locate two outboard long posts on step pad and align with holes on bumper shell. See Fig. 15.
 - b) Starting from the center and working to the ends, press firmly with hand to engage retaining clips of step pad. Use care to ensure retaining clips are aligned with the holes in Bumper shell before pressing down on step pad.

NOTE: It is helpful to practice procedure using old step pad.

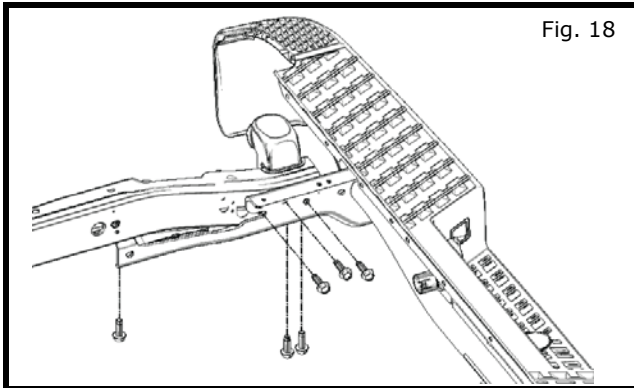


- 9) Install license plate lamps (2 places). See Fig. 16.

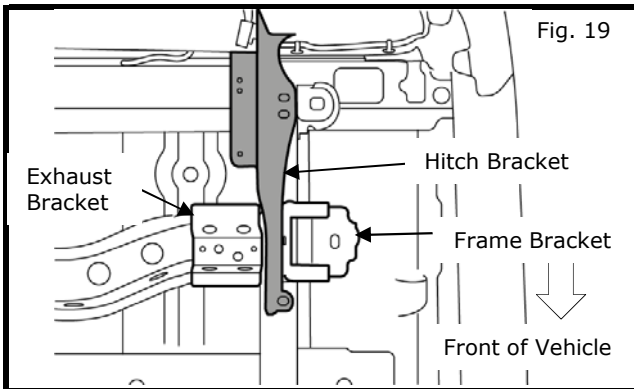
INSTALLATION PROCEDURE: (continued)



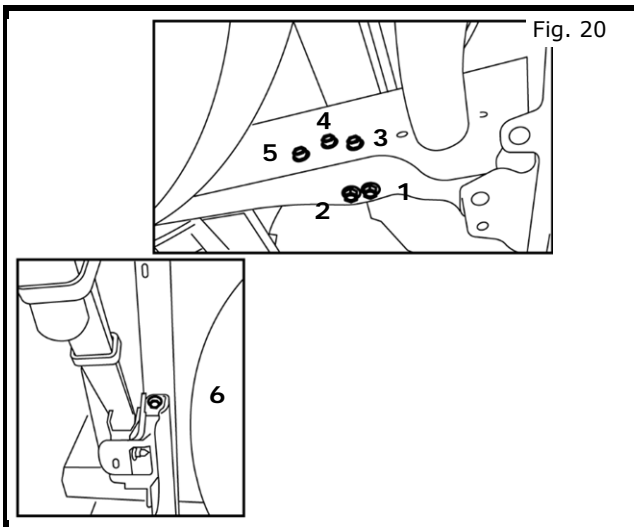
10) Installation of Bumper/Hitch Assembly.



a) Align Bumper/Hitch Assembly to Frame mounting holes. Loose install six (6) bolts on inside of vehicle frame (6Rh/6Lh). See Fig. 18.

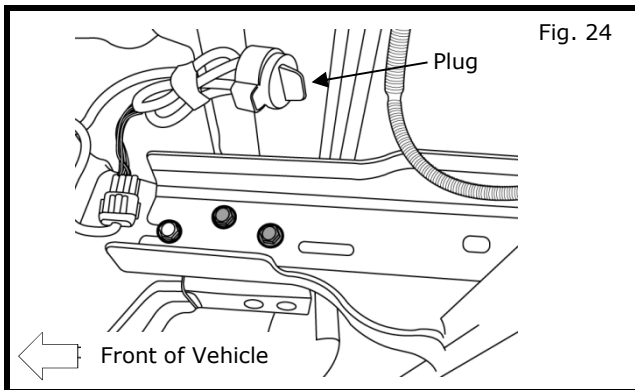
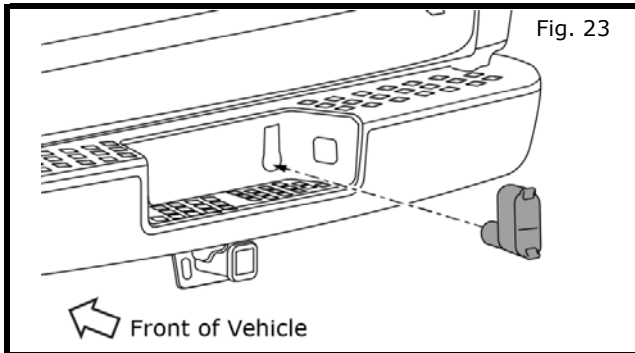
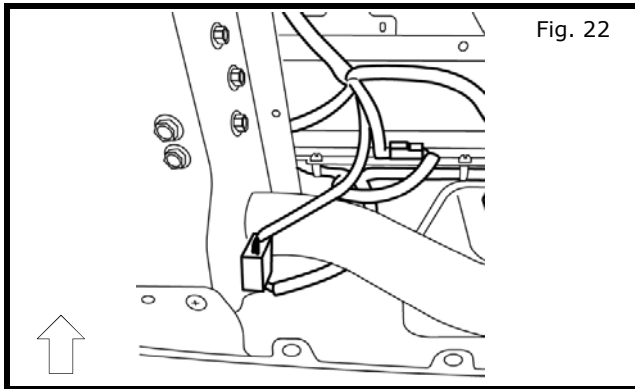
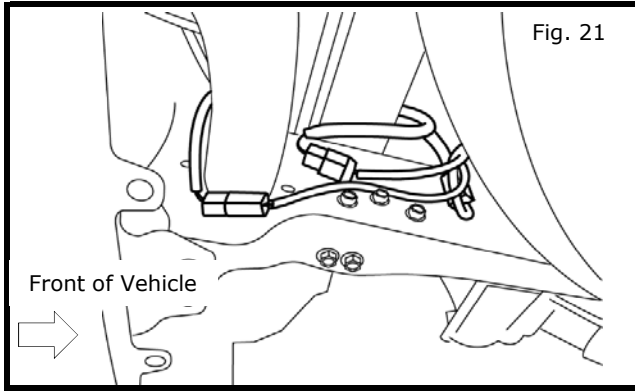


NOTE: Use care to guide hitch bracket between exhaust mount bracket and frame bracket. See figure 19.



b) Torque all bolts to 133Nm in sequence shown.

INSTALLATION PROCEDURE: (continued)



11) Reconnect Wiring Harness'

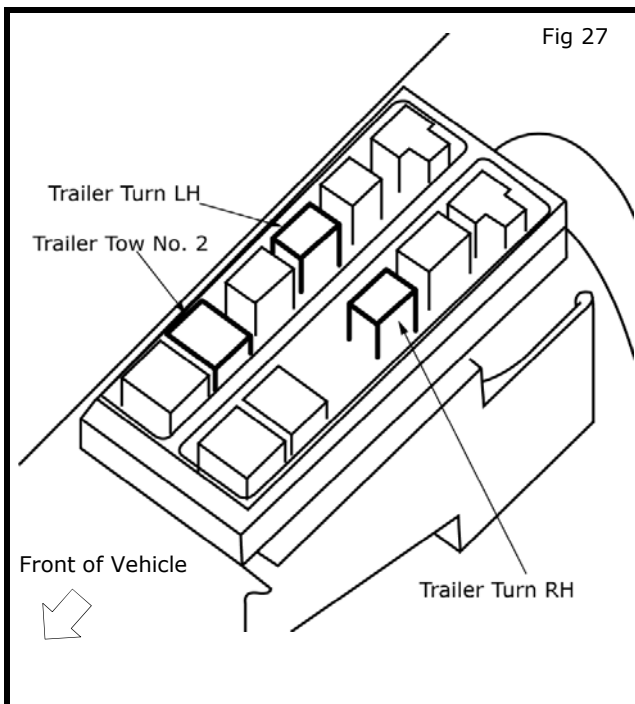
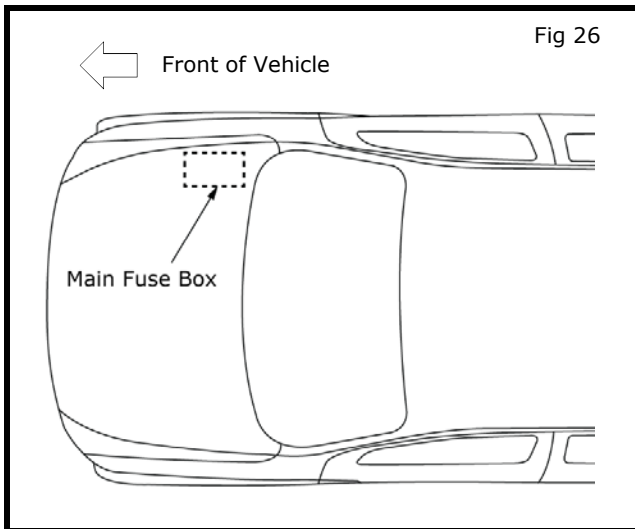
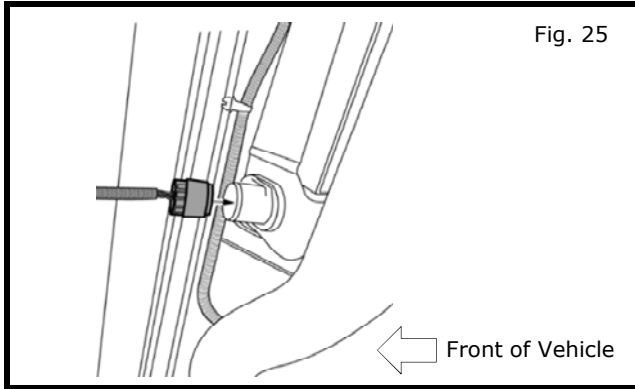
a) Reconnect electrical connector from vehicle harness to rear bumper electrical harness. Reinstall all wire harness clips.

b) Reconnect BSM and Rear Sonar Connectors if equipped.

b) Install trailer tow 7/4-pin connector to bumper as shown.

c) Remove protective plug from vehicle side harness

INSTALLATION PROCEDURE: (continued)



d) Connect jumper harness to 7/4 pin connector.

12) Lower vehicle from lift

13) Reinstall spare tire to vehicle (Refer to owner's manual for further instruction).

14) Install Relays into Main Fuse Box

a) Locate Main Fuse Box under vehicle hood. See Owners Manual.

b) Install the two Turn Signal Relays (25230-79917) and one Tow Relay (25230-7996A) into the main fuse box. See fig. 27.